

MASTER

HEAT TOOLS FOR INDUSTRY™

MASTER-MITE® HEAT GUN



Instruction Manual Mode d'emploi Manual de instrucciones

Please read, understand and keep this manual for future reference.

Lire et bien comprendre les instructions contenues dans ce manuel et les conserver comme référence.

Por favor lea, comprenda y guarde este manual para futura referencia.

Assembled in U.S.A. using foreign and domestic components

Assemblé aux Etats-Unis en utilisant des composants étrangers et nationaux

Ensamblado en EE.UU. utilizando componentes nacionales y extranjeros

Description & Introduction

The Master-Mite® is a versatile, lightweight (only 28 ounces) heat gun that features three heat ranges: 500°F, 650°F and 800°F. This “whisper quiet” heat gun produces enough heat to apply heat shrinkable tubing without excessive air velocity so delicate connectors or components will not blow off the work surface. While the Master-Mite® is lightweight and easy to hold for long periods of time, it also comes standard with a bench stand which adjusts to four heights for hands-free operation. Attachments and accessories are available for many varied applications.

Each Master-Mite® heat gun comes standard with a silver 650°F heating element, a bench stand and one heat shrink attachment for shrink tubing. Should you require additional elements and/or attachments, please specify separately.

Heat guns are a source of extremely high temperature flameless heat. As with other products which generate extremely high temperatures, regardless of your specific application, extreme care and caution should be observed when using this product. Therefore, we recommend that you pay particular attention to the safety instructions which we have provided for your protection.

Specifications

Size 8-7/8" L x 7" H
 Weight 1-3/4 lbs.
 Motor 3300 RPM
 Nozzle length 3-7/8" L
 Nozzle opening 1" dia.
 Cord length 7 ft.
 Air velocity 700 FPM
 Air volume 3.8 CFM
 Housing Static Decay 5000V to <0.01 sec.
 Housing Surface Res. <500 ohms/sq.
 Thermal Cutout Standard
 All 120V models are cULus listed.

Model	Volts	Max. Amps	Ship Weight
10008	120	4.5	3 lbs.
10009	220	2.2	3 lbs.
10010	240	2.0	3 lbs.

Heating Element Nozzles

Part No.	Color	Temp. °F	Temp. °C	Voltage	Wattage
20012	Blue	500	260	120	340
20013	Silver	650	343	120	475
20014	Black	800	427	120	525
20033	Blue	500	260	220	400
20034	Silver	650	343	220	450
20035	Black	800	427	220	500
20160	Blue	500	260	240	400
20161	Silver	650	343	240	450
20162	Black	800	427	240	500

Important Safety Instructions

WARNING: THIS PRODUCT IS A SOURCE OF VERY HIGH TEMPERATURE FLAMELESS HEAT. AS WITH ANY ELECTRICAL TOOL, WHEN USING HEAT TOOLS, ALWAYS FOLLOW BASIC SAFETY PRECAUTIONS, INCLUDING THE FOLLOWING, TO REDUCE THE RISK OF FIRE, ELECTRIC SHOCK OR PERSONAL INJURY.

1) Read and understand this instruction manual before using. *Save this manual for future reference.*

WARNING: To reduce the risk of fire or electric shock, do not expose heat guns to rain or moisture. Store indoors. Connect to grounded outlet only.

2) Do not use plug adaptors or remove the ground prong from the plug. This tool is equipped with a 3-prong plug and a 3-wire

grounding system. Connect to properly grounded outlets only.

3) Use heat gun only on adequately rated circuits to avoid overheating of electrical systems.

4) Do not direct hot air stream at your clothing, hands or body parts. Do not use as a hair dryer.

5) Do not touch nozzle opening or nozzle shield until cool. When in “Hot” mode, extreme heat is generated at those areas.

6) Run on “Cold” before turning off. The nozzle and shield require approximately 3 minutes to become cool to the touch.

7) Do not touch work surface with nozzle. Keep nozzle face at least 1” away.

8) Keep a clean work area. Messy or cluttered work areas invite accidents or injury.

9) Keep away from children or persons with reduced physical, sensory or mental capabilities, or lack of experience and knowledge. All visitors should be kept at a safe distance from the work area. Do not let visitors touch the tool or extension cord.

10) Use tool in a well-ventilated area. Do not use near flammable liquids or in an explosive environment (where fumes, gases or dust are present).

11) Remove all highly flammable materials and other debris from the work area.

12) Wear safety glasses at all times.

Important Safety Instructions (cont'd)

- 13) When using an extension cord, use only a 3-wire grounded cord with a minimum of 14-gauge capacity. We recommend they be listed by Underwriters laboratories (UL) in the U.S.A. or (CSA) Canadian Standards Association in Canada and be suitable for outdoor use. Cords marked for outdoor use are also suitable for indoor use.
- 14) Don't abuse cordset. Never yank by cord to remove from electrical outlet or carry tool by cord.
- 15) Always hold tool by the handle or use stand. When using stand, place tool on a level surface. Position cordset so it does not cause tipping.
- 16) Keep a fully-charged fire extinguisher close at hand.
- 17) Do not leave heat gun unattended while the heat gun is running or cooling down.
- 18) Stay alert. Do not operate tool when you are tired. Use common sense and watch what you are doing.
- 19) Store properly. Do not store while hot. Store in a dry, high or locked-up location. Keep out of the reach of children.



WARNING: This product, when used for soldering and similar applications, can expose you to LEAD, which is known to the State of California to cause cancer and birth defects and other reproductive harm. For more information go to www.P65Warnings.ca.gov

IMPORTANT SAFETY INSTRUCTIONS

READ THESE INSTRUCTIONS

WARNING: Hidden areas such as walls, ceilings, floors, soffit boards and other panels may contain flammable liquids that could be ignited by the hot air gun when working in these locations. The ignition of these materials may not be apparent and could result in property damage and injury to persons. Do not use if in doubt about this hazard. When working in these locations, keep the hot air gun moving in a back and forth motion. Lingering or pausing in one spot could ignite the panel or the material behind it.

Paint Stripping

WARNING: Extreme care should be taken when stripping paint. The peelings, residue and vapors of paint may contain lead, which is poisonous. Any pre-1977 paint may contain lead and paint applied to homes prior to 1950 is likely to contain lead. Once deposited on surfaces, hand to mouth contact can result in the ingestion of lead. Exposure to even low levels of lead can cause irreversible brain and nervous system damage; young and unborn children are particularly vulnerable.

Before beginning any paint removal process you should determine whether the paint you are removing contains lead. This can be done by your local health department or by a professional who used a paint analyzer to check the lead content of the paint to be removed. **LEAD BASED PAINT SHOULD ONLY BE REMOVED BY A PROFESSIONAL AND SHOULD NOT BE REMOVED USING A HOT AIR GUN.**

Persons removing paint should follow these guidelines.

1. Move the work piece outdoors. If this is not possible, keep the work area well ventilated. Open the windows and put an exhaust fan in one of them. Be sure the fan is moving the air from inside to outside.
2. Remove or cover any carpets, rugs, furniture, clothing, cooking utensils and air ducts.
3. Place drop clothes in the work area to catch any paint chips or peelings. Wear protective clothing such as extra work shirts, overalls and hats.
4. Work in one room at a time. Furnishing should be removed or placed in the center of the room and covered. Work areas should be sealed off from the rest of the dwelling by sealing doorways with drop clothes.
5. Children, pregnant or potentially pregnant women and nursing mothers should not be present in the work area until the work is done and all cleanup is complete.

6. Wear a dust respirator or a dual filter (dust and fume) respirator mask which has been approved by the Occupational Safety and Health Administration (OSHA), the National Institute of Safety and Health (NIOSH), or the United States Bureau of Mines. These masks and replaceable filters are readily available at major hardware stores. Be sure the mask fits. Beards and facial hair may keep masks from sealing properly. Change filters often. **DISPOSABLE PAPER MASKS ARE NOT ADEQUATE.**

7. Use caution when operating the hot air gun. Keep the hot air gun moving as excessive heat will generate fumes which can be inhaled by the operator.

8. Keep food and drink out of the work area. Wash hands, arms and face and rinse mouth before eating or drinking. Do not smoke or chew gum or tobacco in the work area.

9. Clean up all removed paint and dust by wet mopping the floors. Use a wet cloth to clean all walls, sills and any other surface where paint or dust is clinging. **DO NOT SWEEP, DRY DUST OR VACUUM.** Use a high phosphate detergent or trisodium phosphate (TSP) to wash and mop areas.

10. At the end of each work session put the paint chips and the debris in a double plastic bag, close it with tape or twist ties, and dispose of properly.

11. Remove protective clothing and work shoes in the work area to avoid carrying dust into the rest of the dwelling. Wash work clothes separately. Wipe shoes off with a wet rag that is then washed with the work clothes. Wash hair and body thoroughly with soap and water.

SAVE THESE INSTRUCTIONS

Repair and Maintenance Instructions

All repairs and maintenance other than that recommended in this instruction manual must be performed by a qualified repair technician who is experienced with the repair of electric tools, a qualified service organization, or Master Appliance Corp.'s Service Department.

Please contact Master's Customer Service Department for genuine Master Appliance replacement parts or for repair service.

Repair Service Dept.

877-250-1934

sales@masterappliance.com
www.masterappliance.com

WARNING: Always unplug your tool before performing any maintenance or repairs. Use only identical Master Appliance brand replacement parts.

Cleaning

Unplug heat gun before cleaning. To clean outside of tool, use only a mild soap and damp cloth. Do not use other cleaning agents, turpentine, gasoline, lacquer or paint thinner, or other solvents that may contain chemicals which are harmful to plastics and other insulating materials. Never immerse tool in a liquid or allow a liquid to enter inside the tool. Make sure all vents and openings are free and clear of debris.

Operating Instructions

Before performing an application, we recommend that you experiment with a piece of scrap material. Use care in approaching the work surface until you find the proper distance from the work area and the proper heat application time.

Use a gentle back and forth motion when applying heat unless it is found that a concentrated heat is desired.

To Operate Heat Gun

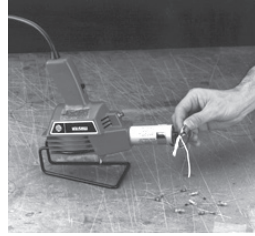
1. Plug heat gun into properly rated outlet.
2. Move rocker switch to "Hot" position. Heat gun will come up to full operating temperature in approximately two minutes.
3. When performing applications where hands-free use is desired, use bench stand.
4. To turn heat gun off after use, move switch to "Cool" position. Run on cool for approximately three minutes. This will allow the heat gun to cool down and the nozzle and attachments to become cool to the touch.
5. Move switch to "Off" position.

When heat gun is used in an enclosed container, such as a shrink tunnel or special enclosure, ambient air must be allowed to pass into the heat gun and there must be an outlet of equal size for the heated air to pass out of the enclosure also. Total enclosure will cause damage or possible failure to the heat gun due to the extreme heat generated.

Typical Applications

Your Master-Mite® provides a flow of heated air for a variety of applications. Uses are as limitless as your own ingenuity.

- Bend and form plastics
- Cure epoxies
- Deburring plastics
- Defrost frozen coils
- Dry negatives and parts
- Heat solids and liquids
- Loosen nuts and bolts
- Remove floor tiles and putty
- Repair vinyl
- Shrink tubing and packaging
- Soften materials



Will not blow delicate components around the work area.

NOTE: Users should independently evaluate the suitability of the product for their application.

Suggested Nozzles for Heat Shrinkables

Type Tubing	Common or Trade Designation	Approx. Shrink Temp. °F***	Suggested Heat Nozzle
Polyester	Mylar*	175	Blue
Polyvinyl Chloride	PVC; Vinyl	250	Silver
Irradiated Polyvinyl Chloride	PVC; Vinyl	250	Silver
Irradiated Butyl	—	250	Silver
Irradiated Polyolefin	—	275	Silver
Polyfluorinated Ethylene Propylene	FEP	300	Silver
Polyvinylidene Fluoride	Kynar**	350	Silver
Irradiated Neoprene	—	350	Silver
Irradiated Silicone	—	350	Silver

* Registered trade name of Pennsalt.

** Registered trade name of General Electric.

*** Based on latest available information.

If you have any questions regarding your specific application or use, feel free to call our Sales Department at 262-633-7791.

Product Warranty

Master Heat Tools are carefully tested and inspected before being shipped from the factory.

We warrant our products to be free from defects in materials and workmanship, under normal use and service, for one year from date of purchase. In the event of a defect in materials or workmanship we will either repair or replace, at our option, without charge any part which in our judgement shows evidence of such defect.

Warranty does not apply to wearable items such as attachments or heating elements, which require

periodic replacement, nor does it apply if the heat tool has been misused, abused, tampered with or altered.

At the end of the warranty period, Master Appliance shall be under no further obligation, expressed or implied. Master Appliance assumes no responsibility for, and this warranty shall not cover, any incidental or consequential damages from any defect in products or their use.

This warranty gives you specific rights. You may also have other rights which may vary from state to

state. Warranty information is included within the Instruction Manual for each product or may be obtained by contacting Master's Customer Service Department.

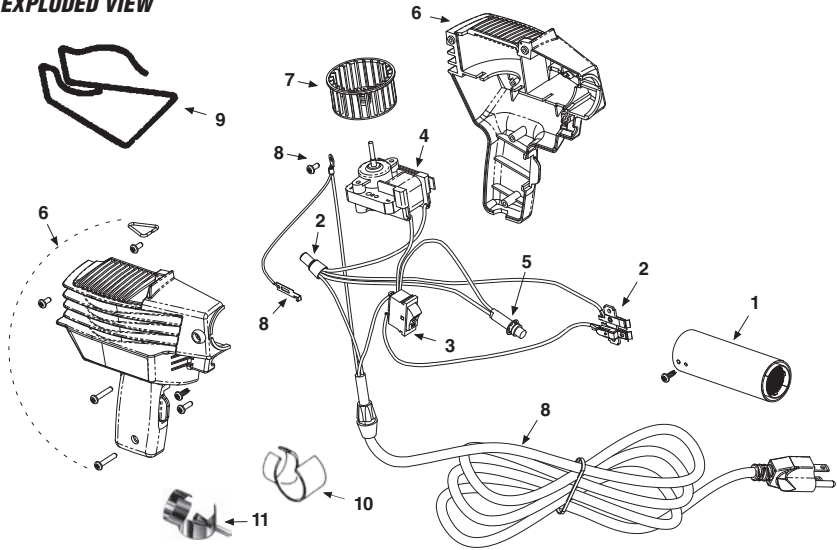
Master Appliance Corp.
2420 18th Street
Racine, Wisconsin 53403
U.S.A.

Phone 262-633-7791
800-558-9413 (USA)
Fax 262-633-9745

sales@masterappliance.com
www.masterappliance.com

Master-Mite® Replacement Parts

EXPLODED VIEW



Item No.	Part No.	Description
1	20012	Element Kit, 120V, 500°F, 340W (Blue)
1	20013	Element Kit, 120V, 650°F, 475W (Silver)
1	20014	Element Kit, 120V, 800°F, 525W (Black)
1	20033 *	Element Kit, 220V, 500°F, 400W (Blue)
1	20034 *	Element Kit, 220V, 650°F, 450W (Silver)
1	20035 *	Element Kit, 220V, 800°F, 500W (Black)
1	20160 *	Element Kit, 240V, 500°F, 400W (Blue)
1	20161 *	Element Kit, 240V, 650°F, 450W (Silver)
1	20162 *	Element Kit, 240V, 800°F, 500W (Black)
2	30018	Spring Clip Assembly Kit, W/Thermostat
3	35234	Switch, Rocker, 120V / 230V
4	50179	Motor, 120V, With Mounting Bracket
4	50217 *	Motor, 230V, With Mounting Bracket
5	50183	Light, 120V, With Retaining Ring
5	50220 *	Light, 230V, With Retaining Ring
6	50703	Housing Kit for Model 10008, 120V
7	51277	Blower Wheel
8	50175	Cordset Kit, 120V, w/Ground Tab
8	50218 *	Cordset Kit, 230V, USA w/Ground Tab
8	35239 *	Cordset Kit, 230V, European w/Ground Tab
8	35008 *	Cordset Kit, 230V, British w/Ground Tab
Accessories:		
9	50675	Bench Stand
10	40060	Heat Shrink Attachment
11	40061	Pinpoint Attachment - 1/4" concentration of heat exactly where you want it. Eliminates back pressure.

* 220/240 Volt Models Only

Note: Kits include hardware (see exploded view)

Master-Mite® Heat Gun replacement parts and accessories are engineered and manufactured to precise Master Appliance specifications. Replacement parts and accessories from other manufacturers are not produced to these precise specifications and, therefore, may cause difficulties with—or actual damage to—a Master-Mite® Heat Gun. Master Appliance cannot assume any responsibility or liability for difficulties resulting from the use of any other brand of replacement parts or accessories with a Master-Mite® Heat Gun.

Description et introduction

Le Master-Mite® est un pistolet chauffant, versatile, léger (ne pesant que 800 g) et qui fonctionne selon trois plages de températures (en degré Celsius) : 260°, 343° et 427°. Ce pistolet chauffant silencieux fournit suffisamment de chaleur permettant d'appliquer les tubes thermorétractibles sans créer de déplacement excessif d'air qui risquerait de déplacer les connecteurs ou les composants délicats de la surface de travail. Le Master-Mite, léger et facile à tenir pendant de longues périodes, est accompagné d'un support réglable à quatre hauteurs pour les utilisations à mains libres. Accessoires et autres pièces supplémentaires

sont disponibles pour l'exécution de diverses applications.

Le Master-Mite® ESD s'utilise en toute sécurité. Son boîtier est en fibre de carbone, relié à la terre et n'accumule ou ne crée aucune charge d'électricité statique, contrairement à beaucoup de matières plastiques. La conductivité superficielle du boîtier est de 500 ohms/carré. Le boîtier conducteur évite l'accumulation ou la retenue d'une charge électrostatique.

Tous les pistolets chauffants Master-Mite sont dotés d'un élément chauffant argent (343°C), d'un support et d'un accessoire pour tube thermorétractible. Si vous

avez besoin d'éléments supplémentaires et/ou d'accessoires, veuillez l'indiquer séparément.

Les pistolets chauffants sont une source de chaleur diffusée sans flamme et à une température particulièrement élevée. Tout comme les autres produits qui génèrent des températures particulièrement élevée, quelque soit votre application, veuillez prendre toutes les précautions nécessaires lors de l'emploi de cet outil. Nous vous recommandons donc de faire particulièrement attention aux instructions de sécurité que nous avons incluses pour votre protection.

Caractéristiques

Dimensions 225 mm (Long) 178 mm (H)
 Poids 800 g
 Moteur 3 300 tr/min
 Longueur de la buse 100 mm
 Ouverture de la buse 25 mm de diamètre
 Longueur du cordon 2,1 m
 Déplacement de l'air 210 m/min
 Volume d'air 3,8 pi³/min
 Dissipation des charges statiques . . 5000V à <0,01 sec.
 Rés. superficielle du boîtier <500 ohms/carré
 Coupe-circuit thermique Standard
 Tous les modèles de 120 V son homologués cULus.

Modèle	Volts	Amp. maximum	Poids à l'expédition
10008	120	4,5	1,5 kg
10009	220	2,2	1,5 kg
10010	240	2,0	1,5 kg

Buses d'élément chauffant

Réf.	Couleur	Temp. °C	Tension	Watts
20012	Blue	260	120	340
20013	Silver	343	120	475
20014	Black	427	120	525
20033	Blue	260	220	400
20034	Silver	343	220	450
20035	Black	427	220	500
20160	Blue	260	240	400
20161	Silver	343	240	450
20162	Black	427	240	500

Importantes consignes de sécurité

AVERTISSEMENT: CET APPAREIL CONSTITUE UNE SOURCE DE CHALEUR SANS FLAMME À TRÈS HAUTE TEMPÉRATURE. COMME POUR TOUS LES APPAREILS ÉLECTRIQUES, RESPECTEZ TOUJOURS LES CONSIGNES DE SÉCURITÉ ORDINAIRES, Y COMPRIS CELLES QUI SUIVENT, POUR RÉDUIRE LES RISQUES D'INCENDIE, D'ÉLECTROCUTION OU DE LÉSION CORPORELLE.

1. Lisez et veillez à bien comprendre les instructions présentées dans ce manuel avant d'utiliser l'appareil. Conservez ce manuel comme référence.

AVERTISSEMENT: Afin de réduire les risques d'incendie ou d'électrocution, n'exposez jamais votre pistolet d'air chaud à la

pluie ou à l'humidité. Rangez-le à l'intérieur. Branchez-le uniquement sur des prises mises à la terre.

2. N'utilisez aucun adaptateur de prise et n'ôtez en aucun cas la broche de terre de la fiche. Cet appareil est muni d'une fiche à 3 broches et d'un système de mise à la terre à 3 fils. Ne le branchez que sur des prises adéquatement mises à la terre.

3. Ne raccordez ce pistolet d'air chaud qu'à des circuits de tension nominale adéquate afin d'éviter la surchauffe des circuits électriques.

4. Ne dirigez pas ce flux d'air chaud vers vos vêtements, vos mains ou toute autre partie de votre corps. N'utilisez pas le pistolet comme sèche-cheveux.

5. Laissez refroidir l'orifice et le cylindre de protection de la buse avant de les toucher. En mode «HOT» [chaud], la buse dégage une température extrêmement élevée.
6. Faites fonctionner votre pistolet en mode «COLD» [froid] avant de l'éteindre. Il faut environ 3 minutes pour refroidir la buse et son cylindre protecteur.
7. Évitez tout contact entre la buse et votre surface de travail. Maintenez la tête de la buse à une distance d'au moins 25 mm (1 po).
8. Veillez à la propreté de votre zone de travail. Désordre et encombrement favorisent les accidents et les blessures.
9. Tenir hors de portée des enfants et des personnes présentant

Importantes consignes de sécurité (suite)

des capacités physiques, sensorielles ou mentales amoindries ou un manque d'expérience ou de connaissances. Tous les visiteurs doivent rester à une distance sécuritaire à l'écart de la zone de travail. Ne pas laisser les visiteurs toucher à l'outil ou à la rallonge.

- Utilisez l'appareil dans une zone bien aérée. Ne l'utilisez pas à proximité de liquides inflammables ou dans un milieu propice aux explosions (en présence de gaz, vapeurs ou poussière).
- Éliminez tous matériaux hautement inflammables et autres débris de la zone de travail.
- Portez des lunettes de protection pendant toute la durée du travail.
- Quand vous utilisez une rallonge, utilisez uniquement un cordon à 3 fils avec mise à la terre, d'une capacité minimale de calibre 14. Nous recommandons les cordons pour usage extérieur reconnus par les Underwriters Laboratories (UL) aux États-Unis ou par l'Association Canadienne de Normalisation (ACNOR) au Canada. Les cordons pour usage extérieur conviennent également aux applications intérieures.
- Ne soumettez le cordon à aucun traitement abusif. Ne débranchez jamais l'appareil en tirant sur le cordon et ne le portez jamais en le tenant par le cordon.
- Toujours tenir l'outil par la poignée ou encore utiliser le support. Prendre garde à placer l'outil sur une surface de niveau pour utiliser le support. Placer le cordon de manière à éviter tout risque de renversement.
- Ayez toujours un extincteur plein à portée de la main.
- Surveillez l'appareil en permanence lorsqu'il est allumé ou en cours de refroidissement.
- Restez alerte. N'utilisez pas cet appareil quand vous êtes fatigué. Ayez recours à votre bon sens et accordez une attention soutenue à votre travail.
- Rangez votre pistolet de manière adéquate. Laissez-le refroidir avant de le ranger. Rangez-le dans un endroit sec, à une certaine hauteur et hors de portée des enfants.



AVERTISSEMENT : Ce produit, lorsqu'il est utilisé pour braser et pour d'autres utilisations semblables, peut vous exposer à du PLOMB, reconnu dans l'État de la Californie pour causer le cancer, des malformations congénitales et des dommages à l'appareil reproducteur. Pour obtenir plus

de renseignements, aller à www.P65Warnings.ca.gov

INSTRUCTIONS DE SECURITE LIRE CES INSTRUCTIONS

ATTENTION: Certaines surfaces cachées se trouvant derrière murs, plafonds, sols, plaques intrados ou autres panneaux peuvent contenir des matériaux inflammables que le pistolet à air chaud risque de calciner lors du travail dans ces endroits. La calcination de ces matériaux pourrait passer inaperçue et provoquer des dommages ou blesser des personnes. Ne pas utiliser en cas de doute sur ces dangers. Le travail dans de telles conditions doit se faire en bougeant le pistolet à air chaud avec un mouvement de va et vient. S'attarder ou s'arrêter sur un point pourrait mettre le feu au panneau ou au matériel qui est derrière. Le pistolet à air chaud s'utilise, dans ce cas, sur basse température (LOW).

Décaper la peinture

ATTENTION: Le décapage se fait avec un soin extrême. Les pelures, résidus et vapeurs de peinture peuvent contenir du plomb, qui est un poison. Toute peinture datant d'avant 1977 peut contenir du plomb et la peinture appliquée avant 1950 dans une maison d'habitation contient certainement du plomb. Une fois que le plomb s'est déposé sur les surfaces, il est possible d'en ingérer en portant la main à la bouche. Le simple fait d'être exposé à une quantité même minime de plomb peut entraîner d'irréparables lésions cérébrales et endommagements du système nerveux auxquels les enfants en bas âge et les bébés à naître sont particulièrement vulnérables.

Avant de commencer toute opération de décapage de peinture il faut déterminer si la peinture que vous allez enlever contient du plomb. Vous pouvez le faire faire à l'office régional de santé ou par un expert qui utilise un analyseur de peinture pour vérifier le contenu en plomb de la peinture à enlever.

LA PEINTURE À BASE DE PLOMB DOIT ÊTRE ENLEVÉE PAR UN PROFESSIONNEL ET NE DEVRAIT PAS ÊTRE ENLEVÉE AU PISTOLET À AIR CHAUD.

Toute personne décapant de la peinture devait suivre les recommandations suivantes.

- Amenez la pièce à travailler dehors. Si ce n'est pas possible, il faut une ventilation constante du lieu de travail. Ouvrez les fenêtres et placez un ventilateur extracteur sur une d'entre-elles. Assurez-vous que le ventilateur déplace l'air de l'intérieur vers l'extérieur.

- Enlevez ou couvrez les moquettes, tapis, meubles, vêtements, ustensiles de cuisine et conduites d'air.
- Étendez des bâches dans l'aire de travail afin de collecter tous éclats ou pelures de peinture. Portez des vêtements de protection, tels chemises de travail, combinaisons, casquettes.
- Ne travaillez que dans une pièce à la fois. Il faut enlever les meubles ou les placer au centre de la pièce et les recouvrir. Les lieux de travail devraient être coupés du reste de l'habitation par des bâches pendues sur les portes.
- Ni enfant, ni femme enceinte, potentiellement enceinte ou allaitant au sein ne doivent être présents sur les lieux de travail tant que le travail n'est pas fini et tout le nettoyage terminé.
- Portez un masque respiratoire protecteur ou un masque respiratoire à filtre à double protection (poussières et vapeurs) homologué par l'Administration de la Santé et la Sécurité au Travail (OSHA), l'Institut National de la Sécurité et de la Santé (NIOSH) ou le United States Bureau of Mines. Ces masques et filtres changeables s'obtiennent facilement dans les grandes quincailleries. Assurez-vous que le masque est à votre taille. La barbe et les poils du visage peuvent empêcher la bonne adhésion du masque. Changez souvent de filtre. **LES MASQUES JETABLES EN PAPIER NE SONT PAS APPRÉHENSÉS.**
- Utilisez le pistolet à air chaud avec précaution. Le pistolet à air chaud doit toujours être en mouvement car la chaleur excessive cause des vapeurs que l'opérateur peut respirer.
- Aucune nourriture ou boisson ne doivent se trouver sur les lieux de travail. Lavez vous les mains, les bras et le visage et rincez vous la bouche avant de manger ou de boire. Ne pas fumer, mâcher de chewing-gum ou priser de tabac sur les lieux de travail.
- Nettoyez toute la peinture décapée ainsi que la poussière en essayant avec une serpillière humide. Utilisez un torchon humide pour nettoyer les murs, rebords et toute autre surface où la peinture ou la poussière se sont déposées. NE PAS BALAYER, ÉPOUSSETER À SEC OU PASSER L'ASPIRATEUR. Utilisez un détergent riche en phosphate ou en trisodium

Importantes consignes de sécurité (suite)

phosphate (TSP) pour laver et essuyer les surfaces.

10. À la fin de chaque séance de travail, mettre les éclats et les débris dans un sac en plastique double que vous fermez avec un ruban adhésif ou un fil de torsion et jetez de façon adéquate.

11. Retirer les vêtements de protection et chaussures de travail sur les lieux de travail et évitez de porter de la poussière dans le reste de l'habitation. Lavez les habits de travail séparément. Essayez les chaussures avec un chiffon humide qui sera lavé avec les habits de

travail. Lavez vous les cheveux et le corps complètement avec de l'eau et du savon.

CONSERVER CES INSTRUCTIONS

Réparation et entretien

Toutes les réparations et opérations d'entretien autres que celles recommandées dans ce manuel doivent être accomplies par un technicien qualifié et expérimenté dans la réparation des outils électriques, un organisme d'entretien qualifié ou par le Service d'Entretien de Master Appliance Corp.

Veillez communiquer avec le département de service à la clientèle de Master pour obtenir des pièces de remplacement de marque Master Appliance ou encore obtenir un service de réparation.

Repair Service Dept.
877-250-1934
sales@masterappliance.com
www.masterappliance.com

AVERTISSEMENT: Débranchez toujours votre appareil avant de procéder à une opération d'entretien ou de réparation. N'utilisez que des pièces de rechange de marque Master Appliance identiques à celles enlevées.

Nettoyage

Débranchez le pistolet d'air chaud avant de le nettoyer. Ne nettoyez l'extérieur de l'appareil qu'à l'aide de

savon doux et d'un chiffon humide. N'utilisez aucun autre agent d'entretien, pas plus que de la térébenthine, de l'essence, du diluant de vernis ou de peinture, ou autres dissolvants pouvant contenir des substances chimiques susceptibles d'endommager les pièces en plastique et autres matières isolantes. Ne plongez jamais l'appareil dans un liquide et ne laissez jamais de liquide pénétrer à l'intérieur. Veillez à ce qu'aucun débris n'obstrue les orifices soit de ventilation ou autres.

Consignes d'utilisation

Avant toute utilisation, nous vous recommandons de faire un essai sur un matériel à mettre au rebut. Faites attention en approchant la surface de travail et prenez soin de trouver la distance appropriée et le temps d'application requis.

Dans un léger mouvement de va-et-vient, appliquez la chaleur à moins que vous ne remarquiez qu'une chaleur concentrée est préférable.

Pour faire fonctionner le pistolet chauffant

1. Branchez l'appareil sur une prise à tension nominale adéquate.

2. Mettez l'interrupteur à bascule en position « Chaud » (Hot). Le pistolet chauffant atteindra une température de fonctionnement après environ deux minutes.
3. Lors d'applications à mains libres, utilisez le support.
4. Pour éteindre le pistolet après l'utilisation, mettez l'interrupteur en position « Froid » (Cool). Faites marcher sur froid pendant trois minutes afin de permettre au pistolet chauffant de refroidir et à la buse et aux accessoires d'être suffisamment froids au toucher.

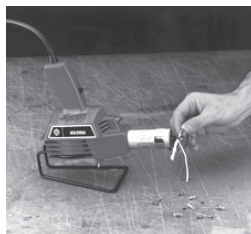
5. Mettez l'interrupteur en position d'arrêt (OFF).

Lors du travail dans un conteneur fermé, tel qu'un tunnel de thermotrécissement ou une enceinte spéciale, le pistolet d'air chaud doit être constamment alimenté en air neuf, et un orifice de taille similaire doit assurer l'évacuation de l'air chaud. Une enceinte hermétiquement close peut, du fait de la chaleur extrême, endommager le pistolet ou provoquer une panne.

Applications typiques

Votre Master-Mite® fournit un flux d'air chauffé pour diverses applications. Les possibilités n'ont de limite que votre imagination.

- Plier et modeler le plastique
- Polymériser la résine epoxy
- Ébavurer le plastique
- Dégivrer les bobines gelées
- Sécher les négatifs et les pièces
- Chauffer les corps solides et liquides
- Desserrer les écrous et les boulons
- Enlever le carrelage et le mastic
- Réparer le vinyle
- Rétrécir les tubes et les emballages
- Ramollir les matériaux



Les composants délicats ne sont pas déplacés de la surface de travail.

NOTA: Les utilisateurs doivent évaluer l'applicabilité de l'outil à leurs propres besoins.

Busés suggérées pour les produits thermorétractissables

Type de tube	Désignation	Temp. de en ° C approx***	Busé chauffante recommandée
Polyester	Mylar*	80	Bleu
Polychlorure de vinyle	PVC; Vinyle	120	Argent
Polychlorure de vinyle irradié	PVC; Vinyle	120	Argent
Butyle irradié	—	120	Argent
Polyéthylène irradié	—	135	Argent
Éthylène-propylène polyfluoré	FEP	150	Argent
Fluoride polyvinylidone	Kynar**	175	Argent
Néoprène irradié	—	175	Argent
Silicone irradié	—	175	Argent

* Marque déposée de Pennsalt.

** Marque déposée de General Electric.

*** Selon les plus récentes informations disponibles.

Si vous vous posez la moindre question au sujet de votre application particulière, n'hésitez pas à appeler notre Service Clients au 262-633-7791.

Garantie du produit

Les outils Master Heat ont fait l'objet de tests et d'une vérification réalisés avec précaution avant de quitter l'usine. Nous garantissons que nos produits sont libres de tout défaut de matériel ou de fabrication, dans le cadre d'une utilisation et d'un entretien normal, pendant un an à compter de la date d'achat. En cas de défaut de matériel ou de fabrication, nous procéderons à la réparation ou à l'échange, gratuitement à notre discrétion, de toute pièce qui nous semble présenter ledit défaut.

La présente garantie ne s'applique pas aux articles portables, notamment les accessoires, les brosses, les éléments chauffants, les pointes de chauffe, les pointes à chauffer, les brûleurs ou dispositifs d'éjection, qu'il est nécessaire de remplacer de manière périodique. De même, elle ne s'applique pas

non plus en cas d'utilisation incorrecte ou abusive de l'outil à air chaud, ou si celui-ci a été ouvert et modifié.

À la fin de la période de garantie, Master Appliance ne saurait être tenu par aucune obligation, expresse ou tacite. Master Appliance décline toute responsabilité en cas de dommage consécutif ou indirect découlant de tout défaut ou de la simple utilisation du produit - dommage non couvert par la présente garantie.

La présente garantie vous octroie des droits spécifiques. Il se peut que des droits supplémentaires vous soient accordés en fonction de la législation en vigueur d'un état à l'autre.

Les informations relatives à la garantie sont comprises dans le Manuel d'utilisation afférant à

chaque produit ou peuvent être obtenues en contactant le service clientèle de Master.

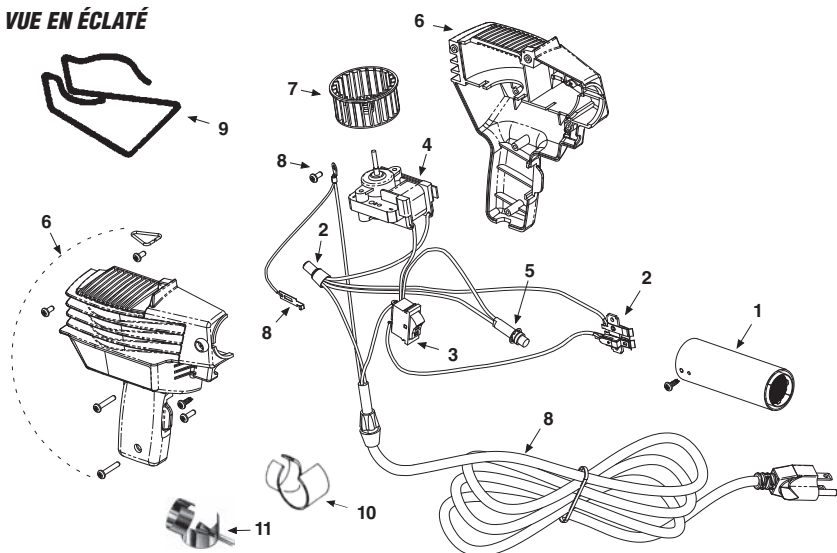
Master Appliance Corp.
2420 18th Street
Racine, Wisconsin 53403
U.S.A.

Téléphone 262-633-7791
800-558-9413 (USA)
Télécopieur 262-633-9745

sales@masterappliance.com
www.masterappliance.com

Pièces de rechange Master-Mite® – Tous modèles

VUE EN ÉCLATÉ



(En passant commande, veuillez spécifier le numéro de la pièce et sa description)

Article	Référence	Description
1	20012	Trousse d'élément, 120 V, 260 °C (500 °F), 340 W (bleu)
1	20013	Trousse d'élément, 120 V, 343 °C (650 °F), 475 W (argent)
1	20014	Trousse d'élément, 120 V, 427 °C (800 °F), 525 W (noir)
1	20033 *	Trousse d'élément, 220 V, 260 °C (500 °F), 400 W (bleu)
1	20034 *	Trousse d'élément, 220 V, 343 °C (650 °F), 450 W (argent)
1	20035 *	Trousse d'élément, 220 V, 427 °C (800 °F), 500 W (noir)
1	20160 *	Trousse d'élément, 240 V, 260 °C (500 °F), 400 W (bleu)
1	20161 *	Trousse d'élément, 240 V, 343 °C (650 °F), 450 W (argent)
1	20162 *	Trousse d'élément, 240 V, 427 °C (800 °F), 500 W (noir)
2	30018	Trousse d'ensemble de pince à ressort, avec thermostat
3	35234	Interrupteur à bascule, 120/230 V
4	50179	Moteur, 120 V, avec support de montage
4	50217 *	Moteur, 230 V, avec support de montage
5	50183	Lumière, 120 V, avec anneau de retenue
5	50220 *	Lumière, 230 V, avec anneau de retenue
6	50703	Trousse de boîtier pour modèle 10008, 120 V
7	51277	Roue de soufflante
8	50175	Trousse de cordon, 120 V, avec languette de mise à la masse
8	50218 *	Trousse de cordon, 230 V, É.-U. avec languette de mise à la masse
8	35239 *	Trousse de cordon, 230 V, Européen avec languette de mise à la masse
8	35008 *	Trousse de cordon, 230 V, Anglais avec languette de mise à la masse
Accessoires:		
9	50675	Support
10	40060	Accessoire thermorétricissable
11	40061	Accessoire pointeur - concentration de chaleur à 0,7 cm exactement là où vous le souhaitez. Élimine la contrepression

* Modèles de 220/240 volts uniquement

Remarque : les trousse comprennent la quincaillerie (voir la vue éclatée)

Les pièces de rechange et accessoires de l'appareil Master-Mite® sont conçus et fabriqués conformément aux spécifications précises de Master Appliance. Les pièces de rechange et accessoires d'autres fabricants ne sont pas produits selon ces spécifications précises et peuvent dès lors être source de problèmes - voire de dégâts. Master Appliance n'assumera aucune responsabilité ou obligation en cas de difficultés liées à l'utilisation de pièces de rechange ou d'accessoires d'autres marques sur l'appareil Master-Mite®.

Descripción e introducción

La pistola Master-Mite® es una pistola térmica versátil, liviana (solamente pesa 800 g), con tres niveles de temperatura: 260°C, 343°C y 427°C. Esta pistola térmica silenciosa produce suficiente calor para aplicar tubo termocontráctil sin velocidad excesiva del aire, de modo que los conectadores o componentes delicados no se desprendan de la superficie de trabajo. Aunque la pistola Master-Mite es liviana y fácil de sujetar durante períodos rolongados, también se entrega con una base estándar que se ajusta a cuatro alturas para trabajar sin necesidad de sujetarla con las manos. Se pueden adquirir

aditamentos y accesorios para aplicaciones muy variadas.

La Master-Mite® ESD es segura de usar. Tiene una caja de fibra de carbono bien conectada a tierra y no retendrá ni creará cargas estáticas como muchos plásticos. La conductividad superficial de la caja es de 500 ohms/cuadrado. La caja conductora no acumulará ni retendrá cargas estáticas.

Cada pistola térmica Master-Mite tiene, como característica estándar, un elemento calefactor plateado de 343°C, una base y un accesorio para tubo termocontráctil. En caso de que requiera

elementos y/o accesorios adicionales, favor de especificarlo por separado.

Las pistolas térmicas son una fuente de temperatura sumamente elevada sin llama visible. Al igual que con otros productos que generan temperaturas sumamente elevadas, independientemente de su aplicación, se debe tener mucho cuidado y mucha precaución mientras se use este producto. Por lo tanto, le recomendamos que preste atención especial a las instrucciones de seguridad, que proporcionamos para su protección.

Especificaciones

Dimensiones. 225 mm (L) 178 mm (A)
 Peso. 800 g
 Motor. 3 300 rpm
 Largo de la tobera. 100 mm
 Abertura de la tobera. 25 mm de diámetro
 Largo del cordón. 2,1 m
 Velocidad del aire. 210 m/min
 Volumen de aire. 3,8 pies³/min
 Decaimiento estático. 5000V a <0,01 seg.
 Res. superficial de la caja. <500 ohms/cuadrado
 Interruptor térmico. Estándar

Modelo	Voltios	Amps máx.	Peso embarque
10008	120	4,5	1,5 kg
10009	220	2,2	1,5 kg
10010	240	2,0	1,5 kg

Todos los modelos de 120V están aprobados por el cULus.

Toberas con resistencia térmica

Pieza N°	Color	Temperatura °F	Temperatura °C	Voltaje	Vatijaje
20012	Azul	500	260	120	340
20013	Plata	650	343	120	475
20014	Negro	800	427	120	525
20033	Azul	500	260	220	400
20034	Plata	650	343	220	450
20035	Negro	800	427	220	500
20160	Azul	500	260	240	400
20161	Plata	650	343	240	450
20162	Negro	800	427	240	500

Instrucciones importantes de seguridad

AVISO: ESTE PRODUCTO ES UNA FUENTE DE CALOR, A MUY ELEVADA TEMPERATURA Y SIN LLAMAS, COMO CON CUALQUIER OTRA HERRAMIENTA ELÉCTRICA, SIEMPRE OBSERVE LAS PRECAUCIONES DE SEGURIDAD PARA REDUCIR LOS RIESGOS DE INCENDIO, DE CHOQUE ELÉCTRICO O DE LESIÓN CORPORAL.

1. Antes de usar esta herramienta, lea y comprenda este manual de instrucciones. *Guarde este manual para futura referencia.*

AVISO: Para reducir el riesgo de incendio o de choque eléctrico, no exponga su pistola de aire caliente a la lluvia o humedad. Guárdelo bajo techo. Conecte la herramienta solamente a los tomacorrientes conectados a tierra.

2. No use adaptadores de enchufe ni remueva la espiga de tierra del enchufe. Esta herramienta está equipada con un enchufe para 3 espigas y un sistema eléctrico trifilar con conexión a tierra. Conecte la herramienta solamente a los tomacorrientes debidamente conectados a tierra.
3. Para evitar el recalentamiento del sistema eléctrico, sólo use la pistola de aire caliente en circuitos eléctricos con la capacidad de carga adecuada.
4. No dirija esta corriente de aire caliente hacia su ropa, las manos u otras partes del cuerpo. No use esta herramienta como secador de pelo.
5. No toque la abertura de la boquilla o el protector de la boquilla

hasta que esté frío. Cuando está en el modo "HOT" [caliente], la boquilla genera un calor extremadamente intenso.

6. Antes de apagar la herramienta, hágala funcionar en "COLD" [frío]. La boquilla y el protector de la boquilla requieren aproximadamente 3 minutos para enfriarse lo suficiente para permitir tocarlos.
7. No toque la superficie de trabajo con la boquilla. Mantenga la cara de la boquilla a una distancia de por lo menos 25 mm (1 pulg) de la superficie de trabajo.
8. Mantenga su área de trabajo limpia. Las áreas de trabajo descuidadas o desordenadas pueden provocar los accidentes y lesiones.

Instrucciones importantes de seguridad (continuación)

- Mantener alejado de los niños y de las personas con capacidades físicas, sensoriales o mentales reducidas o falta de experiencia o conocimiento. Todos los visitantes deben mantenerse a una distancia segura del área de trabajo. No permita que los visitantes toquen la herramienta o el cable de extensión.
- Use esta herramienta en un área bien ventilada. No la use cerca de líquidos inflamables o en un ambiente explosivo (en presencia de vapores, gases o polvo).
- Remueva del área de trabajo todos los materiales altamente inflamables y otros desechos.
- Siempre use gafas de seguridad cuando trabaje con esta herramienta.
- Al usar una extensión, sólo use el cable eléctrico trifilar conectado a tierra con una capacidad mínima de calibre 14. Recomendamos que estos cables sean aprobados por los Underwriters Laboratories (UL) en los EE.UU. o por la Canadian Standards Association (CSA) en el Canadá. Los cables eléctricos marcados para uso exterior también son adecuados para uso interior.
- No abuse del cable eléctrico. Nunca desconecte la herramienta tirando el cable para removerlo de un tomacorriente ni transporte la herramienta colgándola del cable.
- Siempre sostenga la herramienta por el mango o use el soporte. Cuando use el soporte, coloque la herramienta sobre una superficie nivelada. Coloque el cable de manera tal que no provoque inclinación.
- Mantenga a su alcance un extinguidor de incendios debidamente cargado.
- No deje desatendido la pistola de aire caliente mientras estando en marcha o enfriándose.
- Manténgase alerta. Si está cansado, no trabaje con la herramienta. Use el sentido común y ponga atención a lo que hace.
- Guarde la herramienta en la forma adecuada. Deje enfriar la herramienta antes de guardarla. Guárdela en un lugar seco, alto y bajo llave. Manténgala fuera del alcance de los niños.



ADVERTENCIA: Este producto, al utilizarlo para soldadura y aplicaciones similares, puede causar exposición al PLOMO, que el Estado de California reconoce como causa de cáncer, defectos congénitos y otros daños reproductivos. Para más información visite www.P65Warnings.ca.gov

INSTRUCCIONES DE SEGURIDAD IMPORTANTES LEER ESTA INSTRUCCIONES

ADVERTENCIA: Las áreas que quedan escondidas, como detrás de paredes, techos, suelos, placas de techo y otros tipos paneles puedan contener materiales inflamables que se pueden incendiar por la acción de la pistola de aire caliente. La ignición de estos materiales pueden no ser evidente desde un principio y provocar daños en propiedades o personas. No utilizar la pistola si existen dudas sobre este riesgo. Al trabajar en lugares con estas características, mover la pistola hacia adelante y hacia atrás. Prolongar su uso o detenerse en un lugar puede incendiar el panel o el material situado tras él. La pistola de aire debe utilizarse con temperature BAJA, que es aproximadamente el #8 en el dial de temperatura.

Para quitar pintura

ADVERTENCIA: Se debe tener mucho cuidado al quitar pintura. Las capas de pintura, los residuos y los vapores pueden contener plomo, que es venenoso. Cualquier pintura anterior a 1977 puede contener plomo y la pintura que se aplicaba a los hogares antes de 1950 suele contener plomo. Una vez depositado sobre superficies, el contacto de la mano con la boca puede resultar en la ingestión del plomo. La exposición a niveles incluso muy bajos de plomo puede causar daños irreversibles en el cerebro y el sistema nervioso. Los niños pequeños y los fetos son particularmente vulnerables.

Antes de iniciar cualquier proceso para retirar pintura se debe determinar si dicha pintura contiene plomo. Esto puede ser llevado a cabo por el departamento de sanidad local o por un profesional que utilice un analizador de pintura para comprobar el contacto que ha tenido con el plomo la pintura que se ha de retirar.

LAS PINTURAS CON BASE DE PLOMO SOLO DEBEN SER RETIRADAS POR UN PROFESIONAL Y NO DEBEN QUITARSE UTILIZANDO UNA PISTOLA DE AIRE CALIENTE.

Las personas que retiren pintura deben seguir estas indicaciones.

- Trasladar al aire libre la pieza con la que se ha de trabajar. Si esto no es posible, mantener bien ventilada el área de trabajo. Abrir las ventanas y colocar un ventilador en una de ellas. Asegurarse de que el ventilador se lleve el aire desde el interior hacia el exterior.
- Retirar o cubrir las alfombras, alfombrillas, muebles, ropa, utensilios de cocina y conductos de ventilación.

- Cubrir el suelo del área de trabajo con telas, para recoger las virutas o capas de pintura. Llevar ropas de protección como camisas, monos y gorros para trabajos especiales.
- Trabajar en una sola habitación. Los muebles deben ser retirados o colocados en el centro de la habitación y cubiertos. Las áreas de trabajo deben aislarse para separarlas del resto de la vivienda, sellando la puerta con telas colocadas en el suelo.
- Los niños, las mujeres embarazadas o con posibilidades de estarlo y las madres lactantes no deben estar presentes en el área de trabajo hasta que éste se haya acabado y todo esté limpio.
- Llevar una mascarilla de respiración de polvo o una mascarilla de respiración con filtro dual (polvo y homo) que esté aprobada por la Occupational Safety and Health Administration (OSHA) – Administración de Salud y Seguridad – el National Institute of Saety and Health (NIOSH) – Instituto Nacional de Salud y Seguridad – o el United States Bureau of Mines – Negociado de Minas de los Estados Unidos –. Estas mascarillas y los filtros de recambio se pueden obtener en tiendas mayoristas. asegurarse de que la mascarilla ajusta bien. La barba y el pelo de la cara pueden impedir que las mascarillas queden debidamente ajustadas. Cambiar los filtros a menudo. LAS MASCARILLAS DE PAPEL DESECHABLES NO SON ADECUADOS.
- Tener cuidado al manejar la pistola de aire caliente. Mantenerla en movimiento ya que un calor excesivo generará humos que pueden ser inhalados por el operario.
- Mantener la comida y bebida fuera del Earea de trabajo. Lavarse las manos, los brazos y la cara y aclararse la boca antes de comer o beber. No fumar o mascar chicle o tabaco en el área de trabajo.
- Retirar toda la pintura que se ha quitado y el polvo freando el suelo. Utilizar un paños húmedo para limpiar todas las paredes, umbrales y cualquier otra superficie donde haya pintura o polvo. NO BARRER, NI LIMPIAR EN SECO NI ASPRAR EL POLVO. Utilizar un detergente con alto contenido en fosfatos o fosfato trisódico (TSP) para lavar la y fregar las superficies afectadas.
- Al finalizar cada sección de trabajo, colocar las virutas de pintura y otros residuos en una bolsa de plástico doble, cerraría con cinta adhesiva o cintas retorcidas y tirarla en un contenedor adecuado.

Instrucciones importantes de seguridad (continuación)

11. Quitarse la ropa de protección y los zapatos en el área de trabajo para no llevar el polvo al resto de la vivienda. Lavar la ropa de trabajo por separado. Limpiar los

zapatos con un paño húmedo y lavarlo junto con la ropa de trabajo. Lavar bien el cabello y cuerpo con agua y jabón.

GUARDAR ESTAS INSTRUCCIONES

Instrucciones de reparación y mantenimiento

Toda reparación o servicio de mantenimiento fuera de lo recomendado en este manual de instrucciones, debe ser realizado por un técnico experimentado en la reparación de herramientas eléctricas, o por una organización de servicio calificada, o por el Departamento de Servicio de Master Appliance Corp.

Comuníquese con el Departamento de Atención al Cliente de Master para obtener repuestos Master Appliance genuinos o para el servicio de reparaciones.

Repair Service Dept.
877-250-1934
sales@masterappliance.com
www.masterappliance.com

AVISO: Antes de realizar cualquier reparación o mantenimiento, siempre desconecte su herramienta del suministro eléctrico. Sólo use las piezas de repuesto de la marca Master Appliance.

Limpieza

Antes de comenzar la limpieza, desconecte la pistola de aire caliente del suministro eléctrico. Para limpiar el exterior de la

herramienta, use un jabón suave y una tela húmeda. No use agentes limpiadores, trementina [aguarrás], gasolina, diluyente de laca o de pintura u otros disolventes conteniendo sustancias químicas que pueden ser dañinas a los materiales plásticos y otros materiales aislantes. Nunca sumerja la herramienta en un líquido ni permite que un líquido penetre en el interior de la herramienta. Cerciórese de que todas las aberturas y áreas de ventilación estén limpias y libres de desechos.

Instrucciones de operación

Antes de hacer funcionar la herramienta, le recomendamos que experimente con una pieza de material de desecho. Tenga cuidado al aproximarse a la superficie de trabajo hasta que halle la distancia adecuada y el tiempo adecuado de aplicación de calor.

Use un movimiento suave de atrás hacia adelante cuando aplique calor, a menos que desee una aplicación de calor concentrado.

Para trabajar con la pistola

1. Enchufe la pistola en un tomacorriente de capacidad adecuada.

2. Mueva el interruptor deslizante a la posición "Hot" (Caliente). En dos minutos aproximadamente, la pistola térmica alcanza la temperatura normal de operación.
3. Cuando trabaje en aplicaciones en las que desee tener las manos libres, use la base que proporcionamos.
4. Para apagar la pistola después de usarla, mueva el interruptor a la posición "Cool" (Frio). Déjela funcionar en frío durante tres minutos aproximadamente. Así permitirá que la pistola térmica se enfríe, y la tobera y

los accesorios no quemarán al tocarlos.

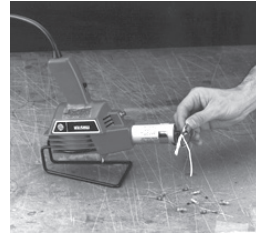
5. Mueva el interruptor a la posición "Off" (Apagado).

Quando se usa la pistola de aire caliente dentro de un contenedor cerrado, como un túnel de contracción o algún otro envase especial, se debe permitir la entrada de aire fresco en la pistola; igualmente hay que tener un orificio de igual tamaño para facilitar la evacuación del aire caliente. Un enclaustramiento total provocará daños o posible falla en la pistola debido al extremo calor generado.

Aplicaciones típicas

Su Master-Mite® provee un flujo de aire caliente para diversas aplicaciones. Los usos son tan ilimitados como sus ideas.

- Adherir y formar plásticos
- Curar productos epóxicos
- Eliminar rebabas de plástico
- Descongelar bobinas congeladas
- Secar negativos y piezas
- Calentar sólidos y líquidos
- Aflojar tuercas y tornillos
- Quitar baldosas y masilla de suelos
- Reparar vinilo
- Contraer tubos y empaques
- Ablandar materiales



No hará volar componentes delicados del área de trabajo.

NOTA: Los usuarios deben evaluar independientemente la idoneidad del producto para sus necesidades.

Toberas sugeridas para materiales termocontraíbles

Tipo de tubo	Designación común o comercial	Temperatura de contracción aprox. ° C***	Tobera térmica segura
Poliéster	Mylar*	80	Azul
Cloruro de polivinilo	PVC; Vinilo	120	Plata
Cloruro de polivinilo irradiado	PVC; Vinilo	120	Plata
Butilo irradiado	—	120	Plata
Polioléfina irradiada	—	135	Plata
Etileno propileno polifluorado	FEP	150	Plata
Fluoruro de polivinilidona	Kynar**	175	Plata
Neopreno irradiado	—	175	Plata
Silicona irradiada	—	175	Plata

* Marca registrada de Pennsalt.

** Marca registrada de General Electric.

*** Basado en la información más reciente disponible.

Si tiene alguna pregunta relacionada con la aplicación o empleo específico de su pistola de aire caliente, no deje de llamar a nuestro Departamento de Ventas al teléfono 262-633-7791.

Garantía del producto

Las Herramientas Master Heat se prueban e inspeccionan con cuidado antes de enviarse desde la fábrica.

Garantizamos que nuestros productos carecen de defectos de material y de manufactura, en condiciones de utilización normal y un servicio por, un año desde la fecha de compra. En el caso de que hubiese un defecto en los materiales o mano de obra repararemos o reemplazaremos, sin cargo por opción nuestra, cualquier parte que en nuestro juicio muestre evidencia de tal defecto.

La garantía no se aplica a elementos desgastables tales como accesorios, cepillos, elementos de calenta-

miento, puntas de soldadura, puntas de calor, quemadores o eyectores, que requieren reemplazo periódico, ni se aplican si la herramienta de calefacción ha sido mal utilizada, abusada, intervenida o alterada.

Al finalizar el período de garantía, Master Appliance no estará bajo ninguna obligación, expresa o implícita. Master Appliance no asume responsabilidad por, y esta garantía no lo cubrirá, cualquier daños incidentales o consecuentes de cualquier defecto de los productos o de su utilización.

Esta garantía le brinda derechos específicos. También puede poseer otros derechos que pueden variar

de estado a estado. La información de garantía está incluida dentro del Manual de Instrucciones para cada producto o puede obtenerse contactando al Departamento de Atención al Cliente.

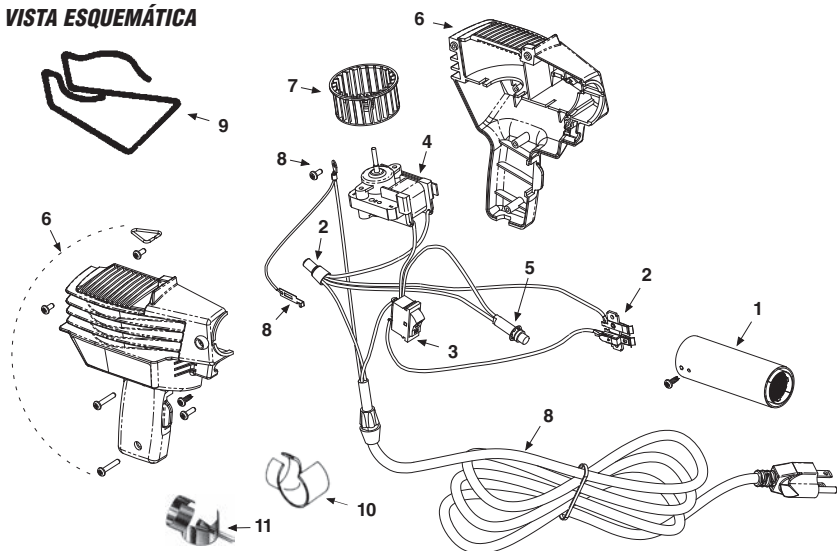
Master Appliance Corp.
2420 18th Street
Racine, Wisconsin 53403
EE.UU.

Teléfono: 262-633-7791
800-558-9413 (EE.UU.)
Fax: 262-633-9745

sales@masterappliance.com
www.masterappliance.com

Piezas de repuesto para todos los modelos Master-Mite®

VISTA ESQUEMÁTICA



(Al efectuar un pedido de piezas de repuesto, favor de especificar el número de la pieza y su descripción)

Artículo N°	Pieza N°	Descripción
1	20012	Juego del elemento, 120 V, 260 °C (500 °F), 340 W (azul)
1	20013	Juego del elemento, 120 V, 343 °C (650 °F), 475 W (plateado)
1	20014	Juego del elemento, 120 V, 427 °C (800 °F), 525 W (negro)
1	20033 *	Juego del elemento, 220 V, 260 °C (500 °F), 400 W (azul)
1	20034 *	Juego del elemento, 220 V, 343 °C (650 °F), 450 W (plateado)
1	20035 *	Juego del elemento, 220 V, 427 °C (800 °F), 500 W (negro)
1	20160 *	Juego del elemento, 240 V, 260 °C (500 °F), 400 W (azul)
1	20161 *	Juego del elemento, 240 V, 343 °C (650 °F), 450 W (plateado)
1	20162 *	Juego del elemento, 240 V, 427 °C (800 °F), 500 W (negro)
2	30018	Juego del conjunto del sujetador de resorte, con termostato
3	35234	Interruptor, oscilante, 120 V / 230 V
4	50179	Motor, 120 V, con soporte de montaje
4	50217 *	Motor, 230 V, con soporte de montaje
5	50183	Luz, 120 V, con anillo retenedor
5	50220 *	Luz, 230 V, con anillo retenedor
6	50703	Juego de alojamiento para el modelo 10008, 120 V
7	51277	Rueda del soplador
8	50175	Juego de cable, 120 V, con lengüeta de conexión a tierra
8	50218 *	Juego de cable, 230 V, para EE. UU. con lengüeta de conexión a tierra
8	35239 *	Juego de cable, 230 V, para Europeo con lengüeta de conexión a tierra
8	35008 *	Juego de cable, 230 V, para Británico con lengüeta de conexión a tierra
Accesorios:		
9	50675	Base
10	40060	Accesorio para contracción térmica
11	40061	Accesorio concentrador - 0.7 cm de calor concentrado exactamente donde lo desee. Elimina la contrapresión.

* Únicamente modelos de 220/240 voltios

Nota: Los juegos incluyen los accesorios (ver vista esquemática)

Las piezas de repuesto y los accesorios para la pistola Master-Mite® están diseñados y fabricados según las especificaciones precisas de Master Appliance. Piezas de repuesto y accesorios procedentes de otros fabricantes no están fabricados de acuerdo a estas especificaciones precisas y por lo tanto, pueden provocar dificultades y daños a su pistola Master-Mite®. Master Appliance no puede asumir ninguna obligación o responsabilidad civil por dificultades derivadas del uso de piezas de repuesto o accesorios procedentes de otras marcas usadas en una pistola Master-Mite®.



Master Appliance Corp.
2420 18th St.
Racine, WI 53403-2381
USA

Tel: 1-800-558-9413 (toll free in the U.S.A. and Canada)
(Appel gratuit aux États-Unis et au Canada)
(Llamada gratuita en los EE. UU y Canadá)

Tel: 001-262-633-7791 (all other Countries)
(tous autres pays)
(todos los demás países)

Fax: 262-633-9745
Email : sales@masterappliance.com
Correo electrónico: sales@masterappliance.com

PN 58225 Rev. F