

MASTER

HEAT TOOLS FOR INDUSTRY™

MASTERFLOW® HEAT BLOWER



Instruction Manual Mode d'emploi Manual de instrucciones

Please read, understand and keep this manual for future reference.

Lire et bien comprendre les instructions contenues dans ce manuel et les conserver comme référence.

Por favor lea, comprenda y guarde este manual para futura referencia.

Assembled in U.S.A. using foreign and domestic components

Assemblé aux Etats-Unis en utilisant des composants étrangers et nationaux

Ensamblado en EE.UU. utilizando componentes nacionales y extranjeros

Description & Introduction

The Masterflow® Heat Blower is a heavy-duty, industrial quality heat blower suitable for continuous duty applications. It produces a high volume of hot air for demanding industrial applications. The adjustable stand features a keyhole slot for easy equipment mounting and allows the nozzle capability of rotating 90° (horizontal to vertical).

Your Masterflow® is equipped with a thermal fuse which will protect the element from over heating or burn out due to a nozzle blockage or motor failure.

Heat blowers are a source of extremely high temperature flameless heat (up to 750°F/400°C). As with other products which

generate extremely high temperatures, regardless of your specific application, extreme care and caution should be observed when using this product. Therefore, we recommend that you pay particular attention to the safety instructions which we have provided for your protection.

Specifications

Model	*Temperature		Volts	Amps
	°F	°C		
AH-301	300	150	120	10.0
AH-302	300	150	220/240	5.0
AH-501	500	260	120	14.0
AH-502	500	260	220/240	7.2
AH-751	750	400	120	18.0
AH-752	750	400	220/240	9.4

*Average temperature measures 1" from nozzle.

Important Safety Instructions

WARNING: THIS PRODUCT IS A SOURCE OF VERY HIGH TEMPERATURE FLAMELESS HEAT. AS WITH ANY ELECTRICAL TOOL, WHEN USING HEAT TOOLS, ALWAYS FOLLOW BASIC SAFETY PRECAUTIONS, INCLUDING THE FOLLOWING, TO REDUCE THE RISK OF FIRE, ELECTRIC SHOCK OR PERSONAL INJURY.

1) Read and understand this instruction manual before using. *Save this manual for future reference.*

WARNING: To reduce the risk of fire or electric shock, do not expose heat blowers to rain or moisture. Store indoors. Connect to grounded outlet only.

- 2) Do not use plug adaptors or remove the ground prong from the plug. This tool is equipped with a 3-prong plug and a 3-wire grounding system. Connect to properly grounded outlets only.
- 3) Use heat blower only on adequately rated circuits to avoid overheating of electrical systems.
- 4) Masterflow Heat Blowers can produce up to 750°F/400°C of flameless heat out of the nozzle. Do not direct this hot air stream at your clothing, hands or body parts. Do not use as a hair dryer.
- 5) Do not touch nozzle opening or nozzle shield until cool. When in "Hot" mode, extreme heat is generated at those areas. Always hold tool by the handle or use permanently attached stand.

- 6) Run on "Cold" before turning off. The nozzle and shield require approximately 3 minutes to become cool to the touch.
- 7) Do not touch work surface with nozzle. Keep nozzle face at least 1" away.
- 8) Keep a clean work area. Messy or cluttered work areas invite accidents or injury.
- 9) Keep away from children or persons with reduced physical, sensory or mental capabilities, or lack of experience and knowledge. All visitors should be kept at a safe distance from the work area. Do not let visitors touch the tool or extension cord.
- 10) Use tool in a well-ventilated area. Do not use near flammable liquids or in an explosive environment (where fumes, gases or dust are present).
- 11) Remove all highly flammable materials and other debris from the work area.
- 12) Wear safety glasses at all times.
- 13) When using an extension cord, use only a 3-wire grounded cord with a minimum of 14-gauge capacity. We recommend they be listed by Underwriters laboratories (UL) in the U.S.A. or (CSA) Canadian Standards Association in Canada and be suitable for outdoor use. Cords marked for outdoor use are also suitable for indoor use.
- 14) Don't abuse cordset. Never yank by cord to remove from

electrical outlet or carry tool by cord.

- 15) Don't remove adjustable stand. When not hand-held, place tool on a level surface. Position cordset so it does not cause tipping.
- 16) Keep a fully-charged fire extinguisher close at hand.
- 17) Do not leave heat blower unattended while the heat blower is running or cooling down.
- 18) Stay alert. Do not operate tool when you are tired. Use common sense and watch what you are doing.
- 19) Store properly. Do not store while hot. Store in a dry, high or locked-up location. Keep out of the reach of children.



WARNING: This product, when used for soldering and similar applications, can expose you to LEAD, which is known to the State of California to cause cancer and birth defects and other reproductive harm. For more information go to www.P65Warnings.ca.gov

IMPORTANT SAFETY INSTRUCTIONS

READ THESE INSTRUCTIONS

WARNING: Hidden areas such as walls, ceilings, floors, soffit boards and other panels may contain flammable liquids that could be ignited by the hot air gun when working in these locations. The ignition of these materials may not be apparent and could result in property damage and injury to persons. Do not use if in doubt

Important Safety Instructions (cont'd)

about this hazard. When working in these locations, keep the hot air gun moving in a back and forth motion. Lingering or pausing in one spot could ignite the panel or the material behind it.

Paint Stripping

WARNING: Extreme care should be taken when stripping paint. The peelings, residue and vapors of paint may contain lead, which is poisonous. Any pre-1977 paint may contain lead and paint applied to homes prior to 1950 is likely to contain lead. Once deposited on surfaces, hand to mouth contact can result in the ingestion of lead. Exposure to even low levels of lead can cause irreversible brain and nervous system damage; young and unborn children are particularly vulnerable.

Before beginning any paint removal process you should determine whether the paint you are removing contains lead. This can be done by your local health department or by a professional who used a paint analyzer to check the lead content of the paint to be removed. **LEAD BASED PAINT SHOULD ONLY BE REMOVED BY A PROFESSIONAL AND SHOULD NOT BE REMOVED USING A HOT AIR GUN.**

Persons removing paint should follow these guidelines.

1. Move the work piece outdoors. If this is not possible, keep the work area well ventilated. Open the windows and put an exhaust fan in one of them. Be sure the

fan is moving the air from inside to outside.

2. Remove or cover any carpets, rugs, furniture, clothing, cooking utensils and air ducts.
3. Place drop clothes in the work area to catch any paint chips or peelings. Wear protective clothing such as extra work shirts, overalls and hats.
4. Work in one room at a time. Furnishing should be removed or placed in the center of the room and covered. Work areas should be sealed off from the rest of the dwelling by sealing doorways with drop clothes.
5. Children, pregnant or potentially pregnant women and nursing mothers should not be present in the work area until the work is done and all cleanup is complete.
6. Wear a dust respirator or a dual filter (dust and fume) respirator mask which has been approved by the Occupational Safety and Health Administration (OSHA), the National Institute of Safety and Health (NIOSH), or the United States Bureau of Mines. These masks and replaceable filters are readily available at major hardware stores. Be sure the mask fits. Beards and facial hair may keep masks from sealing properly. Change filters often. DISPOSABLE PAPER

MASKS ARE NOT ADEQUATE.

7. Use caution when operating the hot air gun. Keep the hot air gun moving as excessive heat will generate fumes which can be inhaled by the operator.
8. Keep food and drink out of the work area. Wash hands, arms and face and rinse mouth before eating or drinking. Do not smoke or chew gum or tobacco in the work area.
9. Clean up all removed paint and dust by wet mopping the floors. Use a wet cloth to clean all walls, sills and any other surface where paint or dust is clinging. DO NOT SWEEP, DRY DUST OR VACUUM. Use a high phosphate detergent or trisodium phosphate (TSP) to, wash and mop areas.
10. At the end of each work session put the paint chips and the debris in a double plastic bag, close it with tape or twist ties, and dispose of properly.
11. Remove protective clothing and work shoes in the work area to avoid carrying dust into the rest of the dwelling. Wash work clothes separately. Wipe shoes off with a wet rag that is then washed with the work clothes. Wash hair and body thoroughly with soap and water.

SAVE THESE INSTRUCTIONS

Operating Instructions

Your Masterflow® is a heavy duty industrial quality heat blower. You can do more heating jobs faster with this heat blower because of its high power and air flow ratings.

This product provides a fast flow of heated air for applications such as:

- Shrinking heat-shrinkables.
- Shrinking sleeves over wires, harnesses and bottle caps.
- Drying inks and paints on silk screen, posters, fabrics and papers.

Uses are as limitless as your own ingenuity.

The proper amount of heat for each application is dependent upon the model number of the Masterflow in use, the distance from the work surface, and the heat application time.

Before performing any application, we recommend that you experiment with a piece of scrap material. Use care in approaching the work until you find the proper combination of distance from the work surface, and the heat application time.

Use a gentle back and forth motion when applying heat unless it is found that a concentrated heat is desired.

To Operate Heat Blower

- 1) Plug heat blower into properly rated outlet.
- 2) Move toggle switch to "Hot" position. Heat blower will come up to full operating temperature in approximately two minutes.
- 3) Adjustable stand is provided to allow nozzle to be rotated from

almost horizontal to vertical position.

- 4) To turn heat blower off after use, move switch to "Cold" position. Run on cold for approximately three minutes. This will allow the heat blower to cool down and the nozzle to become cool to the touch.
- 5) Move switch to "Off" position.

When heat blower is used in an enclosed container, such as a shrink tunnel or special enclosure, ambient air must be allowed to pass into the heat blower and there must be an outlet of equal size for the heated air to pass out of the enclosure also. Total enclosure will cause damage or possible failure to the heat blower due to the extreme heat generated.

Typical Applications

How to Strip Paint

In addition to many other applications, stripping paint has become a popular use for your Masterflow Heat Blower. Because of its higher power and airflow ratings many professional restoration and renovation contractors recognize it as the tool of choice for tough paint stripping jobs.

We recommend using only the Model AH-501 (120V) or the Model AH-502 (220/240V) for professional paint stripping applications.

Paint Stripping Safety Instructions

1) **WARNING:** With a heat gun, as with all other heat tools, keep a fire extinguisher handy and observe all sensible fire precautions.

We do not recommend using this heat gun on **hollow** surfaces such as outdoor siding, walls, soffits, panels and partitions, etc. These areas often contain flammable materials such as dust, wood chips, insulation, rodent nests and other debris which could accidentally ignite.

Your heat gun is best used for stripping paint from **solid** wood-work with ins and outs, such as solid interior trim, mouldings, turnings, doors, balusters and porch trim, etc.

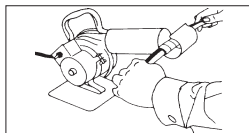
When stripping paint, always keep the heat gun moving in a continuous back and forth motion. Stopping or pausing too long in one spot could ignite the surface you are working on or the area behind it.

2) Do not breathe or swallow lead based paint in any form. Many old homes and other buildings

contain lead based paint. Dust, scrapings, residues and vapors of lead based paint are extremely poisonous. Prevent possible lead poisoning when stripping this type of paint by using adequate ventilation (such as a window fan in the exhaust mode), and keeping a clean work area. When dust or vapors are present, use a respirator designed to filter lead. Move work outside when possible.

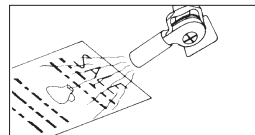
Failure to follow adequate safety precautions when working with lead based paint could result in lead poisoning. See our Paint Stripping instructions for more information.

- 3) Keep away from chemical paint strippers which can ignite or release harmful vapors.
- 4) Use adequate ventilation (such as a window fan in the exhaust mode) and keep your work area clean.
- 5) Wear gloves and safety glasses at all times.
- 6) Keep a fully charged fire extinguisher close at hand.
- 7) Stay alert, watch what you are doing, and use common sense.



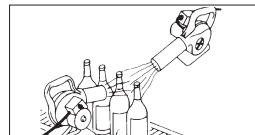
Shrinking Tubing

Use stand to free both hands. Slide tubing over area to be insulated. Place in air stream and move with a side-to-side motion until tubing has shrunk.



Drying

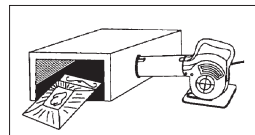
Drying ink and paint on screen prints, posters or paper may be done manually or by directly mounting the heat blowers to the processing equipment.



Shrinking Packaging

Your Masterflow Heat Blower can be used for a variety of heat-shrinking applications. For example, it can be used to shrink bottle caps manually by gently waving the nozzle around the cap until it has shrunk.

One or two heat blowers may be permanently mounted to a conveyor system to shrink caps as the bottles pass by.



Shrink Tunnel Systems

The Masterflow can be used on heat-shrink tunnel systems. It is recommended that the blower or blowers be mounted in a horizontal position to prevent overheating of the heat blower.

If you have any questions regarding your specific application or use, feel free to call our Sales Department at 262-633-7791.

NOTE: Users should independently evaluate the suitability of the product for their application.

Repair and Maintenance Instructions

All repairs and maintenance other than that recommended in this instruction manual must be performed by a qualified repair technician who is experienced with the repair of electric tools, a qualified service organization, or Master Appliance Corp.'s Service Department.

Please contact Master's Customer Service Department for genuine Master Appliance replacement parts or for repair service.

Repair Service Dept

877-250-1934

sales@masterappliance.com
www.masterappliance.com

WARNING: Always unplug your tool before performing any maintenance or repairs. Use only identical Master Appliance brand replacement parts.

Cleaning

Unplug heat blower before cleaning. To clean outside of tool, use only a mild soap and damp cloth. Do not use other cleaning agents, turpentine, gasoline, lacquer or paint thinner, or other solvents that may contain chemicals which are harmful to plastics and other insulating materials. Never immerse tool in a liquid or allow a liquid to enter inside the tool. Make sure all vents and openings are free and clear of debris.

Full One Year Warranty

Master Heat Tools are carefully tested and inspected before being shipped from the factory.

We warrant our products to be free from defects in materials and workmanship, under normal use and service, for one year from date of purchase. In the event of a defect in materials or workmanship we will either repair or replace, at our option, without charge any part which in our judgement shows evidence of such defect.

Warranty does not apply to wearable items such as attachments or heating elements, which require periodic replacement, nor does it apply if the heat tool has been misused, abused, tampered with or altered.

At the end of the warranty period, Master Appliance shall be under no further obligation, expressed or implied. Master Appliance assumes no responsibility for, and this warranty shall not cover, any incidental or consequential damages from any defect in products or their use.

This warranty gives you specific rights. You may also have other rights which may vary from state to state. Warranty information is included within the Instruction Manual for each product or may be obtained by contacting Master's Customer Service Department.

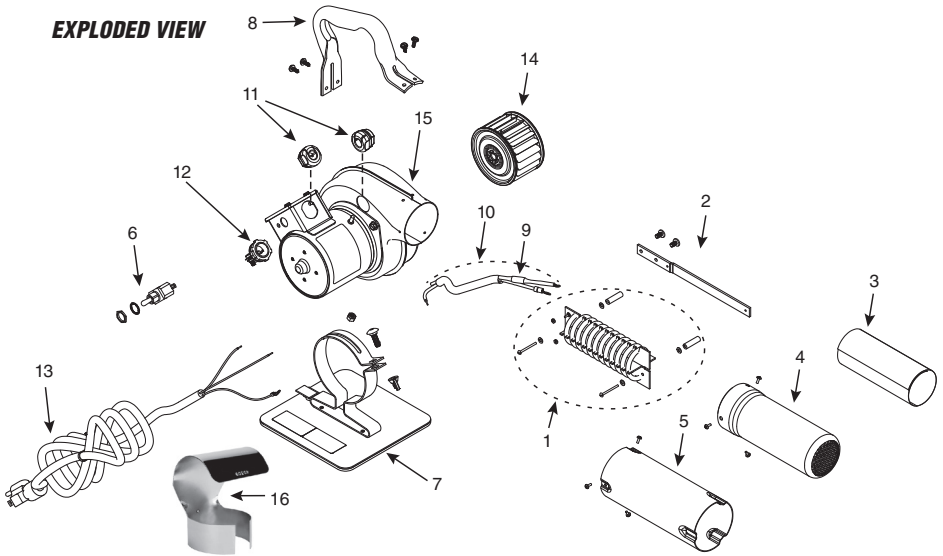
Master Appliance Corp.

2420 18th Street
Racine, Wisconsin 53403
U.S.A.

Phone 262-633-7791
800-558-9413 (USA)
Fax 262-633-9745

sales@masterappliance.com
www.masterappliance.com

Masterflow® Parts List - All Models



(When ordering, please specify part number and description.)

Item No.	Part No.	Description
1	35485	Element Kit, AH-301, with Mica, 120V
	35486 *	Element Kit, AH-302, with Mica, 220/240V
	30310	Element Kit, AH-501, with Mica, 120V
	30311 *	Element Kit, AH-502, with Mica, 220/240V
	30312	Element Kit, AH-751, with Mica, 120V
	30313 *	Element Kit, AH-752, with Mica, 220/240V
2	825	Bracket Bar Kit
3	827	Mica Insulation
4	837	Nozzle Kit
5	839	Shield Kit
6	845	Toggle Switch Kit
7	20108	Stand Kit
8	50737	Handle Kit
9	50927	Thermal Fuse with Terminals and Shrink Sleeve
10	805	Lead Wire with Thermal Fuse, Switch to Element
11	GRT-023	Strain Relief, Switch/Blower Housing
12	35238	Strain Relief, Power Cordset
13	842	Cordset, 120V, 15A, with Strain Relief
	50924	Cordset, 120V, 20A, with Strain Relief
	843 *	Cordset, 220/240V, USA, with Strain Relief
	35229 *	Cordset, 220/240V, European, with Strain Relief
	35258 *	Cordset, 220/240V, British, with Strain Relief
14	50989	Blower Wheel, Metal
15	51008	Motor Blower Assembly, 120V, with Strain Reliefs
	51009 *	Motor Blower Assembly, 220/240V, with Strain Reliefs
		* 230 Volt Models Only
		Note: Kits include hardware (see exploded view)

Accessory

16	40309	Attachment, 2" Heat Shrink Reflector
----	-------	--------------------------------------

Masterflow® Heat Blower replacement parts and accessories are engineered and manufactured to precise Master Appliance specifications. Replacement parts and accessories from other manufacturers are not produced to these precise specifications and, therefore, may cause difficulties with—or actual damage to—a Masterflow® Heat Blower. Master Appliance cannot assume any responsibility or liability for difficulties resulting from the use of any other brand of replacement parts or accessories with a Masterflow® Heat Blower.

Description et introduction

À grand rendement et de qualité industrielle, le souffleur d'air chaud Masterflow® convient au service continu. Il produit un fort volume d'air chaud pour les applications industrielles pénibles. Son support réglable porte une encoche en forme de trou de serrure pour monter facilement l'appareil et permet à la buse de tourner de 90° (de l'horizontale à la verticale).

Votre appareil Masterflow® est équipé d'un fusible thermique qui protège l'élément contre la surchauffe ou la brûlure causée par une obstruction de la buse ou une panne du moteur.

Les souffleurs d'air chaud constituent une source de chaleur sans flamme extrêmement élevée (jusqu'à 400°C/750°F). Comme pour tous les appareils qui dégagent des températures

extrêmement élevées, indépendamment de la nature de votre application particulière, une prudence et un soin extrêmes s'imposent lors de l'utilisation de cet appareil. Nous vous recommandons donc d'accorder toute votre attention aux consignes de sécurité présentées dans ce manuel pour votre protection.

Caractéristiques

Modèle	*Température		Volts	Amps
	°F	°C		
AH-301	300	150	120	10.0
AH-302	300	150	220/240	5.0
AH-501	500	260	120	14.0
AH-502	500	260	220/240	7.2
AH-751	750	400	120	18.0
AH-752	750	400	220/240	9.4

*Température moyenne mesurée à 25 mm (1 po) de la buse.

Importantes consignes de sécurité

AVERTISSEMENT: CET APPAREIL CONSTITUE UNE SOURCE DE CHALEUR SANS FLAMME À TRÈS HAUTE TEMPÉRATURE. COMME POUR TOUS LES APPAREILS ÉLECTRIQUES, RESPECTEZ TOUJOURS LES CONSIGNES DE SÉCURITÉ ORDINAIRES, Y COMPRIS CELLES QUI SUIVENT, POUR RÉDUIRE LES RISQUES D'INCENDIE, D'ÉLECTROCUTION OU DE LÉSION CORPORELLE.

1. Lisez et veillez à bien comprendre les instructions présentées dans ce manuel avant d'utiliser l'appareil. Conservez ce manuel comme référence.

AVERTISSEMENT: Afin de réduire les risques d'incendie ou d'électrocution, n'exposez jamais votre souffleur d'air chaud à la pluie ou à l'humidité. Rangez-le à l'intérieur. Branchez-le uniquement sur des prises mises à la terre.

2. N'utilisez aucun adaptateur de prise et n'ôtez en aucun cas la broche de terre de la fiche. Cet appareil est muni d'une fiche à 3 broches et d'un système de mise à la terre à 3 fils. Ne le branchez que sur des prises adéquatement mises à la terre.

3. Ne raccordez ce souffleur d'air chaud qu'à des circuits de tension nominale adéquate afin d'éviter la surchauffe des circuits électriques.

4. Les souffleurs Masterflow émettent, par la buse, une chaleur sans flamme pouvant atteindre jusqu'à 400°C/750°F. Ne dirigez pas ce flux d'air chaud vers

vos vêtements, vos mains ou toute autre partie de votre corps. N'utilisez pas le souffleur comme sèche-cheveux.

5. Laissez refroidir l'orifice et le cylindre de protection de la buse avant de les toucher. En mode «HOT» [chaud], la buse dégage une température extrêmement élevée. Tenez toujours l'appareil par la poignée ou utilisez le support permanent.

6. Faites fonctionner votre souffleur en mode «COLD» [froid] avant de l'éteindre. Il faut environ 3 minutes pour refroidir la buse et son cylindre protecteur.

7. Évitez tout contact entre la buse et votre surface de travail. Maintenez la tête de la buse à une distance d'au moins 25 mm (1 po).

8. Veillez à la propreté de votre zone de travail. Désordre et encombrement favorisent les accidents et les blessures.

9. Tenir hors de portée des enfants et des personnes présentant des capacités physiques, sensorielles ou mentales amoindries ou un manque d'expérience ou de connaissances. Tous les visiteurs doivent rester à une distance sécuritaire à l'écart de la zone de travail. Ne pas laisser les visiteurs toucher à l'outil ou à la rallonge.

10. Utilisez l'appareil dans une zone bien aérée. Ne l'utilisez pas à proximité de liquides inflammables ou dans un milieu propice aux explosions (en présence de gaz, vapeurs ou poussière).

11. Éliminez tous matériaux hautement inflammables et autres débris de la zone de travail.

12. Portez des lunettes de protection pendant toute la durée du travail.

13. Quand vous utilisez une rallonge, utilisez uniquement un cordon à 3 fils avec mise à la terre, d'une capacité minimale de calibre 14. Nous recommandons les cordons pour usage extérieur reconnus par les Underwriters Laboratories (UL) aux États-Unis ou par l'Association Canadienne de Normalisation (ACNOR) au Canada. Les cordons pour usage extérieur conviennent également aux applications intérieures.

14. Ne soumettez le cordon à aucun traitement abusif. Ne débranchez jamais l'appareil en tirant sur le cordon et ne le portez jamais en le tenant par le cordon.

15. N'enlevez pas le support réglable de l'appareil. Lorsque vous ne le tenez pas à la main, posez le souffleur sur une surface plate. Placez le cordon de manière à éviter le renversement de l'appareil.

16. Ayez toujours un extincteur plein à portée de la main.

17. Surveillez l'appareil en permanence lorsqu'il est allumé ou en cours de refroidissement.

18. Restez alerte. N'utilisez pas cet appareil quand vous êtes fatigué. Ayez recours à votre bon sens et accordez une attention soutenue à votre travail.

Importantes consignes de sécurité (suite)

19. Rangez votre souffleur de manière adéquate. Laissez-le refroidir avant de le ranger. Rangez-le dans un endroit sec, à une certaine hauteur et hors de portée des enfants.



AVERTISSEMENT : Ce produit, lorsqu'il est utilisé pour braser et pour d'autres utilisations semblables, peut vous exposer à du PLOMB, reconnu dans l'État de la Californie pour causer le cancer, des malformations congénitales et des dommages à l'appareil reproducteur. Pour obtenir plus de renseignements, aller à www.P65Warnings.ca.gov

INSTRUCTIONS DE SECURITE LIRE CES INSTRUCTIONS

ATTENTION: Certaines surfaces cachées se trouvant derrière murs, plafonds, sols, plaques intrados ou autres panneaux peuvent contenir des matériaux inflammables que le pistolet à air chaud risque de calciner lors du travail dans ces endroits. La calcination de ces matériaux pourrait passer inaperçue et provoquer des dommages ou blesser des personnes. Ne pas utiliser en cas de doute sur ces dangers. Le travail dans de telles conditions doit se faire en bougeant le pistolet à air chaud avec un mouvement de va et vient. S'attarder ou s'arrêter sur un point pourrait mettre le feu au panneau ou au matériel qui est derrière. Le pistolet à air chaud s'utilise, dans ce cas, sur basse température (LOW).

Décaper la peinture

ATTENTION: Le décapage se fait avec un soin extrême. Les pelures, résidus et vapeurs de peinture peuvent contenir du plomb, qui est un poison. Toute peinture datant d'avant 1977 peut contenir du plomb et la peinture appliquée avant 1950 dans une maison d'habitation contient certainement du plomb. Une fois que le plomb s'est déposé sur les surfaces, il est possible d'en ingérer en portant la main à la bouche. Les simple fait d'être exposé à une quantité même minime de plomb peut entraîner d'irréparables lésions cérébrales et endommagements du système nerveux auxquels les enfants en bas âge et les bébés à naître sont particulièrement vulnérables.

Avant de commencer toute opération de décapage de peinture il faut déterminer si la peinture que vous allez enlever contient du plomb. Vous pouvez le faire faire à l'office régional de santé ou par un expert qui utilise un analyseur de peinture pour vérifier le contenu en plomb de la peinture à enlever.

LA PEINTURE À BASE DE PLOMB DOIT ÊTRE ENLEVÉE PAR UN PROFESSIONNEL ET NE DEVRAIT PAS ÊTRE ENLEVÉE AU PISTOLET À AIR CHAUD.

Toute personne décapant de la peinture devait suivre les recommandations suivantes.

1. Amenez la pièce à travailler dehors. Si ce n'est pas possible, il faut une ventilation constante du lieu de travail. Ouvrez les fenêtres et placez un ventilateur extracteur sur une d'entre-elles. Assurez-vous que le ventilateur déplace l'air de l'intérieur vers l'extérieur.
2. Enlevez ou couvrez les moquettes, tapis, meubles, vêtements, ustensiles de cuisine et conduites d'air.
3. Étendez des bâches dans l'aire de travail afin de collecter tous éclats ou pelures de peinture. Portez des vêtements de protection, tels chemises de travail, combinaisons, casquettes.
4. Ne travaillez que dans une pièce à la fois. Il faut enlever les meubles ou les placer au centre de la pièce et les recouvrir. Les lieux de travail devraient être coupés du reste de l'habitation par des bâches pendues sur les portes.
5. Ni enfant, ni femme enceinte, potentiellement enceinte ou allaitant au sein ne doivent être présents sur les lieux de travail tant que le travail n'est pas fini et tout le nettoyage terminé.
6. Portez un masque respiratoire protecteur ou un masque respiratoire à filtre à double protection (poussières et vapeurs) homologué par l'Administration de la Santé et la Sécurité au Travail (OSHA), l'Institut National de la Sécurité et de la Santé (NIOSH) ou le United States

Bureau of Mines. Ces masques et filtres changeables s'obtiennent facilement dans les grandes quincailleries. Assurez-vous que le masque est à votre taille. La barbe et les poils du visage peuvent empêcher la bonne adhésion du masque. Changez souvent de filtre. **LES MASQUES JETABLES EN PAPIER NE SONT PAS APPRÉIÉS.**

7. Utilisez le pistolet à air chaud avec précaution. Le pistolet à air chaud doit toujours être en mouvement car la chaleur excessive cause des vapeurs que l'opérateur peut respirer.
8. Aucune nourriture ou boisson ne doivent se trouver sur les lieux de travail. Lavez vous les mains, les bras et le visage et rincez vous la bouche avant de manger ou de boire. Ne pas fumer, mâcher de chewing-gum ou priser de tabac sur les lieux de travail.
9. Nettoyez toute la peinture décapée ainsi que la serpillière en essuyant avec une serpillière humide. Utilisez un torchon humide pour nettoyer les murs, rebords et toute autre surface où la peinture ou la poussière se sont déposées. **NE PAS BALAYER, ÉPOUSSETER À SEC OU PASSER L'ASPIRATEUR.** Utilisez un détergent riche en phosphate ou en trisodium phosphate (TSP) pour laver et essuyer les surfaces.
10. À la fin de chaque séance de travail, mettre les éclats et les débris dans un sac en plastique double que vous fermerez avec un ruban adhésif ou un fil de torsion et jetterez de façon adéquate.
11. Retirer les vêtements de protection et chaussures de travail sur les lieux de travail et évitez de porte de la poussière dans le reste de l'habitation. Lavez les habits de travail séparément. Essayez les chaussures avec un chiffon humide qui sera lavé avec les habits de travail. Lavez vous les cheveux et le corps complètement avec de l'eau et du savon.

CONSERVEZ CES INSTRUCTIONS

Mode d'emploi

Votre souffleur d'air chaud Masterflow® est un appareil à grand rendement, de qualité industrielle. Sa grande puissance et son débit d'air élevé vous permettront d'accomplir plus rapidement davantage de tâches de chauffage.

Cet appareil émet un flux rapide d'air chaud pouvant servir aux applications suivantes:

- Rétraction des éléments thermorétractables
- Rétraction des gaines entourant fils, faisceaux de câbles et capsules de bouteilles
- Séchage des encres et des peintures sur les sérigraphies, affiches, tissus et papiers

Ses usages sont aussi étendus que l'ingéniosité de l'utilisateur.

La quantité adéquate de chaleur convenant à chaque application dépend du numéro de modèle de l'appareil Masterflow® utilisé, de la

distance de la buse par rapport à la surface de travail et de la durée d'exposition à la chaleur.

Nous vous recommandons, avant chaque type d'application, d'essayer l'appareil sur une pièce de rebut. Approchez prudemment l'appareil de la surface de travail jusqu'à obtention de la combinaison adéquate entre la distance par rapport à la surface de travail et la durée d'application de la chaleur.

Pour appliquer la chaleur, procédez par un mouvement doux de va-et-vient, à moins qu'une concentration de chaleur soit souhaitable.

Fonctionnement du souffleur

1. Branchez l'appareil sur une prise à tension nominale adéquate.
2. Placez l'interrupteur à bascule en position «HOT» [chaud]. Le souffleur atteindra sa température de fonctionnement maximale au terme d'environ deux minutes.

3. Le support réglable permet une rotation de la buse depuis une position presque horizontale jusqu'à la verticale.
4. Pour éteindre le souffleur, placez l'interrupteur en position «COLD» [froid]. Laissez l'appareil fonctionner à froid pendant environ trois minutes, de façon à laisser refroidir le souffleur et la buse.
5. Placez l'interrupteur en position «OFF» (arrêt).

Lors du travail dans un conteneur fermé, tel qu'un tunnel de thermorétrécissement ou une enceinte spéciale, le souffleur d'air chaud doit être constamment alimenté en air neuf, et un orifice de taille similaire doit assurer l'évacuation de l'air chaud. Une enceinte hermétiquement close peut, du fait de la chaleur extrême, endommager le souffleur ou provoquer une panne.

Applications typiques

Décapage de surfaces peintes

Outre ses nombreuses autres applications, le Masterflow Heat Blower est devenu un outil populaire de décapage de surfaces peintes. Sa puissance et son débit nominaux supérieurs en font l'outil de prédilection de nombreux professionnels de la restauration et rénovation pour les travaux ardues de décapage.

Nous recommandons, pour le décapage professionnel de surfaces peintes, l'usage du modèle AH-501 (120V) ou AH-502 (220/240V) uniquement.

Consignes de sécurité

- 1) ATTENTION: Lors de l'utilisation d'un pistolet à air, comme pour tous les outils chauffants, conservez un extincteur à portée de la main et prenez toutes les précautions anti-incendie appropriées.

L'usage de ce pistolet à air est déconseillé sur les surfaces creuses (planches de revêtement de mur extérieur, intrados, lambris, murs et cloisons, etc.). Ces surfaces renferment souvent de matériaux inflammables tels que poussière, copeaux de bois, matière isolante, nids de rongeurs et autres débris susceptibles de prendre feu.

Votre pistolet à air convient le mieux au décapage de bois massif à moulures, tels les plinthes et garnitures d'intérieur, les portes, balustrades et garnitures en bois massif de porches et vérandas, etc.

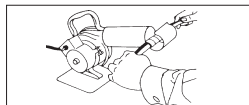
Lors du décapage de surfaces peintes, veillez à ne jamais interrompre le mouvement de va-et-vient du pistolet. Un arrêt ou une pause prolongée sur un point de la surface de travail peut enflammer la surface ou le matériau situé derrière cette surface.

- 2) Veillez à ne jamais inhaler ou avaler de peinture à base de plomb, sous quelque forme que ce soit. On trouve ce type de peinture dans de nombreux bâtiments anciens. La poussière, les raclures, résidus et vapeurs de peinture à base de plomb sont extrêmement nocifs. Pour éviter toute intoxication lors du décapage de surfaces revêtues de peinture à base de plomb, veillez à assurer une ventilation adéquate (à l'aide, par exemple d'un aérateur aspirant) et à maintenir propre votre zone de travail. En présence de poussière ou de vapeur, utilisez un masque à filtre à plomb. Dans la mesure du possible, travaillez à l'extérieur.

Vous vous exposerez, à défaut de suivre les précautions adéquates lors du traitement

de peinture à base de plomb, à un risque de saturnisme. Pour plus de détails, voyez les instructions présentées sous le titre «Décapage».

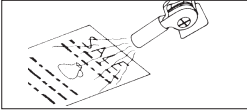
- 3) N'utilisez aucun décapant chimique. Ces produits sont inflammables et peuvent dégager des vapeurs nocives.
- 4) Veillez à assurer une ventilation adéquate de votre zone de travail (à l'aide, par exemple, d'un aérateur aspirant) et maintenez cette zone propre.
- 5) Protez des gants et des lunettes de protection pendant toute la durée du travail.
- 6) Gardez un extincteur plein à portée de la main.
- 7) Restez alerte, accordez une attention soutenue à votre travail et ayez recours à votre bon sens.



Thermorétraction de tubes isolants

Posez l'appareil sur son support afin de garder les deux mains libres. Glissez le tube sur la zone à isoler. Placez-le dans le flux d'air et déplacez-le d'un mouvement latéral jusqu'à ce qu'il rétracte.

Applications typiques (suite)



Séchage

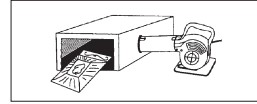
Le séchage des encres et des peintures sur les impressions au tamis de soie, les affiches ou le papier peut se faire manuellement ou en montant directement les souffleurs d'air chaud au matériau de traitement.



Emballage sous film rétractable

Votre souffleur Masterflow peut servir à toutes sortes d'applications de thermorétraction. Il peut, par exemple, servir à rétracter manuellement les capsules de bouteilles en agitant doucement la buse autour de la capsule jusqu'à ce que la capsule rétracte.

On peut monter un ou deux souffleurs d'air chaud de façon permanente à un système transporteur de manutention pour faire rétrécir les capsules au fur et à mesure du passage des bouteilles.



Systèmes de tunnels de thermorétraction

L'appareil Masterflow peut s'utiliser sur des systèmes de tunnels de thermorétraction. Nous recommandons de monter le ou les souffleur(s) en position horizontale, pour éviter la surchauffe des souffleurs.

Si vous vous posez la moindre question au sujet de votre application particulière, n'hésitez pas à appeler notre Service Clients au 262-633-7791.

NOTA: Les utilisateurs doivent évaluer l'applicabilité de l'outil à leurs propres besoins.

Réparation et entretien

Toutes les réparations et opérations d'entretien autres que celles recommandées dans ce manuel doivent être accomplies par un technicien qualifié et expérimenté dans la réparation des outils électriques, un organisme d'entretien qualifié ou par le Service d'Entretien de Master Appliance Corp.

Veillez communiquer avec le département de service à la clientèle de Master pour obtenir des pièces de remplacement de marque Master Appliance ou encore obtenir un service de réparation.

Repair Service Dept

877-250-1934
sales@masterappliance.com
www.masterappliance.com

AVERTISSEMENT:

Débranchez toujours votre appareil avant de procéder à une opération d'entretien ou de réparation. N'utilisez que des pièces de rechange de marque Master Appliance identiques à celles enlevées.

Nettoyage

Débranchez le souffleur d'air chaud avant de le nettoyer. Ne nettoyez l'extérieur de l'appareil

qu'à l'aide de savon doux et d'un chiffon humide. N'utilisez aucun autre agent d'entretien, pas plus que de la térébenthine, de l'essence, du diluant de vernis ou de peinture, ou autres dissolvants pouvant contenir des substances chimiques susceptibles d'endommager les pièces en plastique et autres matières isolantes. Ne plongez jamais l'appareil dans un liquide et ne laissez jamais de liquide pénétrer à l'intérieur. Veillez à ce qu'aucun débris n'obstrue les orifices soit de ventilation ou autres.

Garantie intégrale d'un an

Les outils Master Heat ont fait l'objet de tests et d'une vérification réalisés avec précaution avant de quitter l'usine. Nous garantissons que nos produits sont libres de tout défaut de matériel ou de fabrication, dans le cadre d'une utilisation et d'un entretien normaux, pendant un an à compter de la date d'achat. En cas de défaut de matériel ou de fabrication, nous procéderons à la réparation ou à l'échange, gratuitement à notre discrétion, de toute pièce qui nous semble présenter le dit défaut.

La présente garantie ne s'applique pas aux articles portables, notamment les accessoires, les brosses, les éléments chauffants, les pointes de chauffe, les pointes à chauffer, les brûleurs ou dispositifs

d'éjection, qu'il est nécessaire de remplacer de manière périodique. De même, elle ne s'applique pas non plus en cas d'utilisation incorrecte ou abusive de l'outil à air chaud, ou si celui-ci a été ouvert et modifié.

A la fin de la période de garantie, Master Appliance ne saura être tenu par aucune obligation, expresse ou tacite. Master Appliance décline toute responsabilité en cas de dommage consécutif ou indirect découlant de tout défaut ou de la simple utilisation du produit - dommage non couvert par la présente garantie.

La présente garantie vous octroie des droits spécifiques. Il se peut que des droits supplémentaires

vous soient accordés en fonction de la législation en vigueur d'un état à l'autre.

Les informations relatives à la garantie sont comprises dans le Manuel d'utilisation afférent à chaque produit ou peuvent être obtenues en contactant le service clientèle de Master.

Master Appliance Corp.

2420 18th Street
Racine, Wisconsin 53403
U.S.A.

Téléphone 262-633-7791

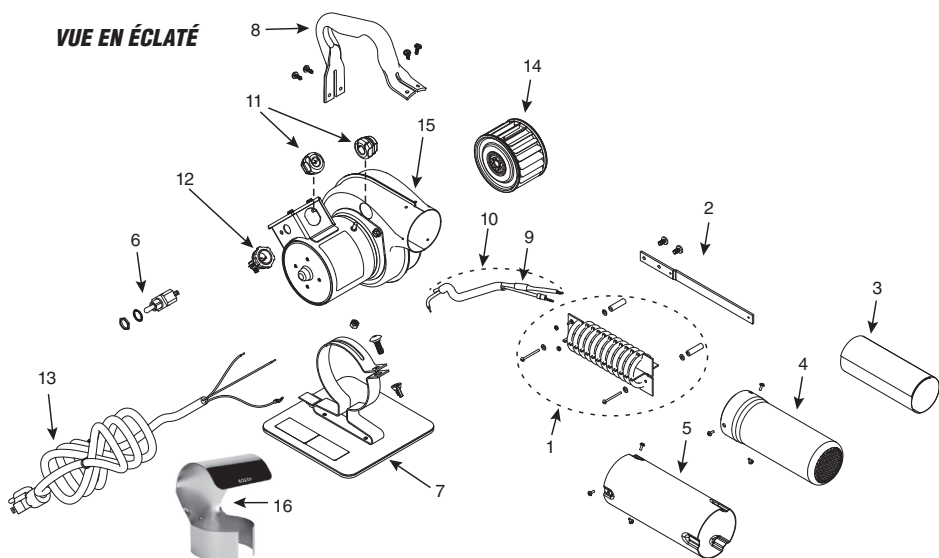
800-558-9413 (USA)

Télécopieur 262-633-9745

sales@masterappliance.com
www.masterappliance.com

Pièces de rechange Masterflow® – Tous modèles

VUE EN ÉCLATÉ



(En passant commande, veuillez spécifier le numéro de la pièce et sa description)

Article n°	Pièce n°	Description
1	35485	Trousse d'élément, AH-301, avec mica, 120 V
	35486 *	Trousse d'élément, AH-302, avec mica, 220/240 V
	30310	Trousse d'élément, AH-501, avec mica, 120 V
	30311 *	Trousse d'élément, AH-502, avec mica, 220/240 V
	30312	Trousse d'élément, AH-751, avec mica, 120 V
	30313 *	Trousse d'élément, AH-752, avec mica, 220/240 V
2	825	Trousse de barre de support
3	827	Isolation de mica
4	837	Trousse de buse
5	839	Trousse de bouclier
6	845	Trousse d'interrupteur à bascule
7	20108	Trousse de support
8	50737	Trousse de poignée
9	50927	Thermofusible avec bornes et manchon rétractable
10	805	Borne avec thermofusible, interrupteur vers l'élément
11	GRT-023	Soulagement de traction, boîtier de l'interrupteur/soufflante
12	35238	Soulagement de traction, cordon d'alimentation
13	842	Cordon, 120 V, 15 A avec soulagement de traction
	50924	Cordon, 120 V, 20 A avec soulagement de traction
	843 *	Cordon, 220/240 V, États-Unis, avec soulagement de traction
	35229 *	Cordon, 220/240 V, Europe, avec soulagement de traction
	35258 *	Cordon, 220/240 V, Royaume-Uni, avec soulagement de traction
14	50989	Roue de soufflante, métal
15	51008	Ensemble de soufflante du moteur, 120 V, avec soulagements de traction
	51009 *	Ensemble de soufflante du moteur, 220/240 V, avec soulagements de traction

* Modèles de 220/240 volts uniquement

Remarque : les trousse comprennent la quincaillerie (voir la vue éclatée)

Accessoire

16	40309	Accessoire thermoretrécissable 2"
----	-------	-----------------------------------

Les pièces de rechange et accessoires de l'appareil Masterflow® sont conçus et fabriqués conformément aux spécifications précises de Master Appliance. Les pièces de rechange et accessoires d'autres fabricants ne sont pas produits selon ces spécifications précises et peuvent dès lors être source de problèmes - voire de dégâts. Master Appliance n'assumera aucune responsabilité ou obligation en cas de difficultés liées à l'utilisation de pièces de rechange ou d'accessoires d'autres marques sur l'appareil Masterflow®.

Descripción e introducción

El Masterflow® Heat Blower es una herramienta de calidad industrial, construido para trabajos pesados y apto para servicio continuo. La unidad produce un alto volumen de aire caliente para emprender las aplicaciones industriales exigentes. Su pedestal ajustable presenta una ranura en forma de ojo de cerradura que facilita el montaje del equipo y permite la rotación de la boquilla en 90°

(desde una posición horizontal hasta una posición vertical).

Su soplador Masterflow® está dotado de un fusible térmico que protege el elemento contra recalentamiento o quemadura por obstrucción de la boquilla o falla del motor.

Los sopladores de aire caliente son una fuente de calor sin llamas a una temperatura extremadamente alta (hasta

400°C/750°F). Igual que con otros productos que generan temperaturas extremadamente elevadas, independientemente de su aplicación específica, observe extremo cuidado y precaución al utilizar este producto. Para su protección, recomendamos que se preste atención especial a las instrucciones de seguridad presentadas en este manual.

Especificaciones

Modelo	*Temperatura		Voltios	Amperios
	°F	°C		
AH-301	300	150	120	10.0
AH-302	300	150	220/240	5.0
AH-501	500	260	120	14.0
AH-502	500	260	220/240	7.2
AH-751	750	400	120	18.0
AH-752	750	400	220/240	9.4

*Temperatura promedio medida a 25 mm (1") de la boquilla.

Importantes instrucciones de seguridad

AVISO: ESTE PRODUCTO ES UNA FUENTE DE CALOR, A MUY ELEVADA TEMPERATURA Y SIN LLAMAS. COMO CON CUALQUIER OTRA HERRAMIENTA ELÉCTRICA, SIEMPRE OBSERVE LAS PRECAUCIONES DE SEGURIDAD PARA REDUCIR LOS RIESGOS DE INCENDIO, DE CHOQUE ELÉCTRICO O DE LESIÓN CORPORAL.

1. Antes de usar esta herramienta, lea y comprenda este manual de instrucciones. **Guarde este manual para futura referencia.**

AVISO: Para reducir el riesgo de incendio o de choque eléctrico, no exponga su soplador de aire caliente a la lluvia o humedad. Guárdelo bajo techo. Conecte la herramienta solamente a los tomacorrientes conectados a tierra.

2. No use adaptadores de enchufe ni remueva la espiga de tierra del enchufe. Esta herramienta está equipada con un enchufe para 3 espigas y un sistema eléctrico trifilar con conexión a tierra. Conecte la herramienta solamente a los tomacorrientes debidamente conectados a tierra.

3. Para evitar el recalentamiento del sistema eléctrico, sólo use el soplador de aire caliente en circuitos eléctricos con la capacidad de carga adecuada.

4. El soplador Masterflow puede emitir por su boquilla un calor sin llamas con temperaturas hasta 400°C (750°F). No dirija

esta corriente de aire caliente hacia su ropa, las manos u otras partes del cuerpo. No use esta herramienta como secador de pelo.

5. No toque la abertura de la boquilla o el protector de la boquilla hasta que esté frío. Cuando está en el modo "HOT" [caliente], la boquilla genera un calor extremadamente intenso. Siempre sujete la herramienta por su agarradera o utilice el pedestal que está sujeto en forma permanente.

6. Antes de apagar la herramienta, hágala funcionar en "COLD" [frío]. La boquilla y el protector de la boquilla requieren aproximadamente 3 minutos para enfriarse lo suficiente para permitir tocarlos.

7. No toque la superficie de trabajo con la boquilla. Mantenga la cara de la boquilla a una distancia de por lo menos 25 mm (1 pulg) de la superficie de trabajo.

8. Mantenga su área de trabajo limpia. Las áreas de trabajo descuidadas o desordenadas pueden provocar los accidentes y lesiones.

9. Mantener alejado de los niños y de las personas con capacidades físicas, sensoriales o mentales reducidas o falta de experiencia o conocimiento. Todos los visitantes deben mantenerse a una distancia segura del área de trabajo. No permita que los visitantes toquen la herramienta o el cable de extensión.

10. Use esta herramienta en un área bien ventilada. No la use cerca de líquidos inflamables o en un ambiente explosivo (en presencia de vapores, gases o polvo).

11. Remueva del área de trabajo todos los materiales altamente inflamables y otros desechos.

12. Siempre use gafas de seguridad cuando trabaje con esta herramienta.

13. Al usar una extensión, sólo use el cable eléctrico trifilar conectado a tierra con una capacidad mínima de calibre

14. Recomendamos que estos cables sean aprobados por los Underwriters Laboratories (UL) en los EE.UU. o por la Canadian Standards Association (CSA) en el Canadá. Los cables eléctricos marcados para uso exterior también son adecuados para uso interior.

14. No abuse del cable eléctrico. Nunca desconecte la herramienta tirando el cable para removerlo de un tomacorriente ni transporte la herramienta colgándola del cable.

15. No remueva el pedestal ajustable. Cuando la herramienta no se esté sujetando con la mano, colóquela sobre una superficie nivelada. Ponga el cable eléctrico de forma que no provoque el vuelco de la herramienta.

16. Mantenga a su alcance un extinguidor de incendios debidamente cargado.

Importantes instrucciones de seguridad (continuación)

17. No deje desatendido el soplador de aire caliente mientras estando en marcha o enfriándose.
18. Manténgase alerta. Si está cansado, no trabaje con la herramienta. Use el sentido común y ponga atención a lo que hace.
19. Guarde la herramienta en la forma adecuada. Deje enfriar la herramienta antes de guardarla. Guárdela en un lugar seco, alto y bajo llave. Manténgala fuera del alcance de los niños.

ADVERTENCIA: Este producto, al utilizarlo para soldadura y aplicaciones similares, puede causar exposición al PLOMO, que el Estado de California reconoce como causa de cáncer, defectos congénitos y otros daños reproductivos. Para más información visite www.P65Warnings.ca.gov

INSTRUCCIONES DE SEGURIDAD IMPORTANTES LEER ESTA INSTRUCCIONES

ADVERTENCIA: Las áreas que quedan escondidas, como detrás de paredes, techos, suelos, placas de techo y otros tipos paneles puedan contener materiales inflamables que se pueden incendiar por la acción de la pistola de aire caliente. La ignición de estos materiales pueden no ser evidente desde un principio y provocar daños en propiedades o personas. No utilizar la pistola si existen dudas sobre este riesgo. Al trabajar en lugares con estas características, mover la pistola hacia adelante y hacia atrás. Prolongar su uso o detenerse en un lugar puede incendiar el panel o el material situado tras él. La pistola de aire debe utilizarse con temperatura BAJA, que es aproximadamente el #8 en el dial de temperatura.

Para quitar pintura

ADVERTENCIA: Se debe tener mucho cuidado al quitar pintura. Las capas de pintura, los residuos y los vapores pueden contener plomo, que es venenoso. Cualquier pintura anterior a 1977 puede contener plomo y la pintura que se aplicaba a los hogares antes de 1950 suele contener plomo. Una vez depositado sobre superficies, el contacto de la mano con la boca puede resultar en la

ingestión del plomo. La exposición a niveles incluso muy bajos de plomo puede causar daños irreversibles en el cerebro y el sistema nervioso. Los niños pequeños y los fetos son particularmente vulnerables.

Antes de iniciar cualquier proceso para retirar pintura se debe determinar si dicha pintura contiene plomo. Esto puede ser llevado a cabo por el departamento de sanidad local o por un profesional que utilice un analizador de pintura para comprobar el contacto que ha tenido con el plomo la pintura que se ha de retirar.

LAS PINTURAS CON BASE DE PLOMO SOLO DEBEN SER RETIRADAS POR UN PROFESIONAL Y NO DEBEN QUITARSE UTILIZANDO UNA PISTOLA DE AIRE CALIENTE.

Las personas que retiren pintura deben seguir estas indicaciones.

1. Trasladar al aire libre la pieza con la que se ha de trabajar. Si esto no es posible, mantener bien ventilada el área de trabajo. Abrir las ventanas y colocar un ventilador en una de ellas. Asegurarse de que el ventilador se lleva el aire desde el interior hacia el exterior.
2. Retirar o cubrir las alfombras, alfombrillas, muebles, ropa, utensilios de cocina y conductos de ventilación.
3. Cubrir el suelo del área de trabajo con telas, para recoger las virutas o capas de pintura. Llevar ropas de protección como camisas, monos y gorros para trabajos especiales.
4. Trabajar en una sola habitación. Los muebles deben ser retirados o colocados en el centro de la habitación y cubiertos. Las áreas de trabajo deben aislarse para separarlas del resto de la vivienda, sellando la puerta con telas colocadas en el suelo.
5. Los niños, las mujeres embarazadas o con posibilidades de estrarlo y las madres lactantes no deben estar presentes en el área de trabajo hasta que éste se haya acabado y todo esté limpio.
6. Llevar una mascarilla de respiración de polvo o una mascarilla de respiración con filtro dual (polvo y homo) que esté aprobada por la Occupational

Safety and Health Administration (OSHA) – Administración de Salud y Seguridad – el National Institute of Saety and Health (NIOSH) – Instituto Nacional de Salud y Seguridad – o el United States Bureau of Mines – Negociado de Minas de los Estados Unidos –. Estas mascarillas y los filtros de recambio se pueden obtener en tiendas mayoristas, asegurarse de que la mascarilla ajusta bien. La barba y el pelo de la cara pueden impedir que las mascarillas queden debidamente ajustadas. Cambiar los filtros a menudo. LAS MASCARILLAS DE PAPEL DESECHABLES NO SON ADECUADOS.

7. Tener cuidado al manejar la pistola de aire caliente. Mantenerla en movimiento ya que un calor excesivo generará humos que pueden ser inhalados por el operario.
8. Mantener la comida y bebida fuera del Earea de trabajo. Lavarse las manos, los brazos y la cara y aclararse la boca antes de comer o beber. No fumar o mascar chicle o tabaco en el área de trabajo.
9. Retirar toda la pintura que se ha quitado y el polvo freando el suelo. Utilizar un paños húmedo para limpiar todas las paredes, umbrales y cualquier otra superficie donde haya pintura o polvo. NO BARRER, NI LIMPIAR EN SECO NI ASPRAR EL POLVO. Utilizar un detergente con alto contenido en fosfatos o fosfato trisódico (TSP) para lavar la y fregar las superficies afectadas.
10. Al finalizar cada sección de trabajo, colocar las virutas de pintura y otros residuos en una bolsa de plástico doble, cerraría con cinta adhesiva o cintas retorcidas y tirarla en un contenedor adecuado.
11. Quitarse la ropa de protección y los zapatos en el área de trabajo para no llevar el polvo al resto de la vivienda. Lavar la ropa de trabajo por separado. Limpiar los zapatos con un paño húmedo y lavarlos junto con la ropa la trabajo. Lavar bien el cabello y cuerpo con agua y jabón.

GUARDAR ESTAS INSTRUCCIONES

Instrucciones de operación

Su soplador de aire caliente Masterflow® es una herramienta de calidad industrial para trabajos pesados. Su alta potencia y flujo de aire extra fuerte le permitirán realizar más tareas de calentamiento con mayor rapidez.

Este soplador proporciona un flujo rápido de aire caliente para aplicaciones tales como:

- Contracción de materiales termoencogibles
- Contracción de envolturas plásticas sobre cables, arneses y tapas de botellas
- Secado de tintas y pinturas en pantallas de seda, carteles, telas y papeles

Sus usos sólo tienen por límite su propia ingeniosidad.

La cantidad adecuada de calor para cada aplicación depende del número del modelo del Masterflow que se esté usando, la distancia hasta la superficie de trabajo y el tiempo durante el cual se aplique el calor a la superficie de trabajo.

Antes de realizar cualquier aplicación, recomendamos que experimente con un pedazo de material desechable. Tenga cuidado al acercarse a la superficie de trabajo hasta que usted encuentre la combinación apropiada de distancia a la superficie de trabajo y de tiempo de aplicación del calor.

Use un movimiento suave hacia adelante y hacia atrás al aplicar el calor, a menos que se estime adecuado concentrar el calor.

Para operar su soplador de aire caliente:

1. Conecte el soplador a una salida eléctrica con la capacidad adecuada.
2. Coloque el conmutador de palanca acodillada en la posición de "HOT" [caliente]. El soplador alcanzará su temperatura de funcionamiento total en aproximadamente dos minutos.
3. El pedestal ajustable permite la rotación de la boquilla desde la

posición casi horizontal hasta la posición vertical.

4. Para apagar el soplador después de usarlo, coloque el conmutador en la posición de "COLD" [frío]. Hágallo funcionando en "COLD" por aproximadamente tres minutos. Esto permitirá que el soplador se enfríe y se pueda tocar la boquilla.
5. Coloque el conmutador en la posición de "OFF" [apagado].

Quando se usa el soplador de aire caliente dentro de un contenedor cerrado, como un túnel de contracción o algún otro envase especial, se debe permitir la entrada de aire fresco en el soplador; igualmente hay que tener un orificio de igual tamaño para facilitar la evacuación del aire caliente. Un enclaustramiento total provocará daños o posible falla en el soplador debido al extremo calor generado.

Aplicaciones típicas

Remoción de pintura

Además de muchos otros usos, la Masterflow Heat Blower se ha convertido en una herramienta popular para remover pintura. Debido a su mayor potencia y flujo de aire extra fuerte, muchos contratistas profesionales de restauración y renovación, la reconocen como la herramienta de selección para las tareas duras de remover pintura.

Para las aplicaciones profesionales de remover pinturas, recomendamos usar los | modelos AH-501 (120V) o AH-502 (220/240V) solamente.

Instrucciones de seguridad para remover pinturas

- 1) **AVISO:** Con una pistola de aire caliente, como con todas las herramientas térmicas, siempre mantenga accesible un extinguidor de incendios y observe todas las precauciones sensatas contra incendios.

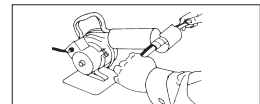
No recomendamos el uso de esta pistola de aire caliente sobre superficies huecas tales como tablas de pared exterior, paredes interiores, soffitos, paneles, tabiques, etc. Estas superficies frecuentemente contienen materiales inflamables como polvo, astillas de madera, aislamiento, nidos de roedores y otros desechos que accidentalmente podrían incendiarse.

El mejor uso para su pistola de aire caliente es el de remover la pintura de obras de madera **sólida** con sus entrantes y salientes tales como zócalos y adornos interiores, molduras, piezas torneadas, puertas, balaustres, adornos de portales, etc.

- 1) Al remover pintura, siempre mantenga la pistola con un movimiento continuo hacia adelante y hacia atrás. El detenerse o prolongar una pausa en un punto determinado podría inflamar una superficie sobre la cual se trabaja o el área detrás de la misma.
- 2) No respire los vapores o ingiera en forma alguna las pinturas con base de plomo. Muchas casas antiguas y otros edificios contienen pinturas con base de plomo. El polvo, las raspaduras, los residuos y vapores de pintura con base de plomo son extremadamente venenosos. Al remover este tipo de pintura, evite las posibilidades de envenenamiento con plomo [saturnismo] empleando una ventilación adecuada (como un ventilador de ventana en su modo de extractor) y conservando un área de trabajo limpia. Ante la presencia de plomo o vapores de plomo, use un dispositivo respirador diseñado para filtrar plomo. Siempre que sea posible, mueva el trabajo al exterior. La negligencia en tomar las precauciones de seguridad adecuadas al trabajar con

pinturas a base de plomo, podría conducir al envenenamiento con plomo [saturnismo]. Para información adicional, vea nuestras "Instrucciones para remover la pintura."

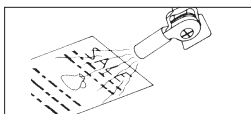
- 3) No utilice ninguno de los productos químicos para remover pinturas. Estos productos con susceptibles de inflamarse y despedir vapores dañinos.
- 4) Use una ventilación adecuada (como un ventilador de ventana en su modo de extractor) y consérvese limpia su área de trabajo.
- 5) Use guantes y gafas de seguridad cuando trabaje con esta herramienta.
- 6) Siempre mantenga accesible un extinguidor de incendios totalmente cargado.
- 7) Manténgase alerta, observe lo que hace y haga uso del sentido común.



Contracción térmica de tubos aisladores

Ponga el soplador en su pedestal para dejar libres ambas manos. Deslice el tubo sobre el área que se vaya a aislar. Sitúe el tubo en la corriente de aire caliente y muévalo de un lado a otro hasta que se haya encogido.

Aplicaciones típicas (continuación)



Secado

El secado de tintas y pinturas sobre pantallas de seda, carteles o papel se puede hacer en forma manual o montando el soplador de aire caliente directamente en el equipo de elaboración.

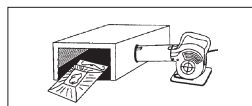


Contracción térmica de envolturas plásticas

Su soplador Masterflow puede emplearse en toda una variedad

de aplicaciones de contracción térmica. Por ejemplo, se puede emplear para recoger manualmente tapas de botellas moviendo suavemente la boquilla alrededor de la tapa hasta que se haya encogido.

Uno o dos sopladores de aire caliente se pueden montar permanentemente en el sistema de correa transportadora para contraer las tapas a medida que pasan las botellas.



Sistema de túnel de contracción térmica

El soplador Masterflow puede emplearse en sistemas de túneles de contracción térmica. Recomendamos montar el soplador o los sopladores en una posición horizontal para evitar el recalentamiento del soplador.

Si tiene alguna pregunta relacionada con la aplicación o empleo específico de su soplador de aire caliente, no deje de llamar a nuestro Departamento de Ventas al teléfono 262-633-7791.

NOTA: Los usuarios deben evaluar independientemente la idoneidad del producto para sus necesidades.

Instrucciones de reparación y mantenimiento

Toda reparación o servicio de mantenimiento fuera de lo recomendado en este manual de instrucciones, debe ser realizado por un técnico experimentado en la reparación de herramientas eléctricas, o por una organización de servicio calificada, o por el Departamento de Servicio de Master Appliance Corp.

Comuníquese con el Departamento de Atención al Cliente de Master para obtener repuestos Master Appliance genuinos o para el servicio de reparaciones.

Repair Service Dept

877-250-1934
sales@masterappliance.com
www.masterappliance.com

AVISO: Antes de realizar cualquier reparación o mantenimiento, siempre desconecte su herramienta del suministro eléctrico. Sólo use las piezas de repuesto de la marca Master Appliance.

Limpieza

Antes de comenzar la limpieza, desconecte el soplador de aire caliente del suministro eléctrico. Para limpiar el exterior de la herramienta, use un jabón suave y una tela húmeda. No use agentes limpiadores, trementina [aguarrás], gasolina, diluyente de laca o de pintura u otros disolventes conteniendo sustancias químicas que pueden ser dañinas a los materiales plásticos y otros ma-

teriales aislantes. Nunca sumerja la herramienta en un líquido ni permite que un líquido penetre en el interior de la herramienta. Cerciñese de que todas las aberturas y áreas de ventilación estén limpias y libres de desechos.

Garantía total por un año

Las Herramientas Master Heat se prueban e inspeccionan con cuidado antes de enviarse desde la fábrica.

Garantizamos que nuestros productos carecen de defectos de material y de manufactura, en condiciones de utilización normal y un servicio por, un año desde la fecha de compra. En el caso de que hubiese un defecto en los materiales o mano de obra repararemos o reemplazaremos, sin cargo por opción nuestra, cualquier parte que en nuestro juicio muestre evidencia de tal defecto.

La garantía no se aplica a elementos desmontables tales como accesorios, cepillos, elementos de calentamiento,

puntas de soldadura, puntas de calor, quemadores o eyectores, que requieren reemplazo periódico, ni se aplican si la herramienta de calefacción ha sido mal utilizada, abusada, intervenida o alterada.

Al finalizar el período de garantía, Master Appliance no estará bajo ninguna obligación, expresa o implícita. Master Appliance no asume responsabilidad por, y esta garantía no lo cubrirá, cualquier daños incidentales o consecuencias de cualquier defecto de los productos o de su utilización.

Esta garantía le brinda derechos específicos. También puede poseer otros derechos que pueden variar

de estado a estado. La información de garantía está incluida dentro del Manual de Instrucciones para cada producto o puede obtenerse contactando al Departamento de Atención al Cliente.

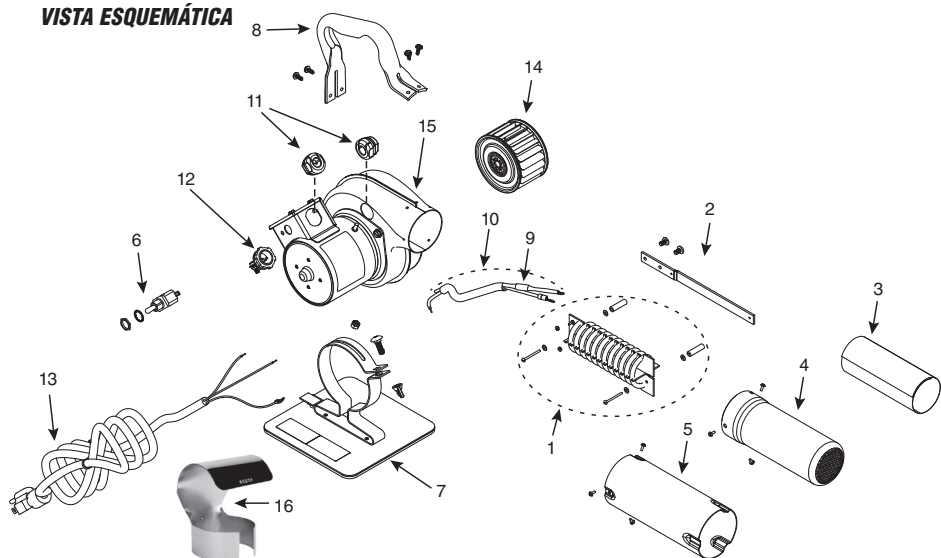
Master Appliance Corp.
2420 18th Street
Racine, Wisconsin 53403
EE.UU.

Teléfono: 262-633-7791
800-558-9413 (EE.UU.)
Fax: 262-633-9745

sales@masterappliance.com
www.masterappliance.com

Piezas de repuesto para todos los modelos Masterflow®

VISTA ESQUEMÁTICA



(Al efectuar un pedido de piezas de repuesto, favor de especificar el número de la pieza y su descripción)

N.º Rubro	N.º Pieza	Descripción
1	35485	Juego de elementos, AH-301, con mica, 120 V
	35486 *	Juego de elementos, AH-302, con mica, 220/240 V
	30310	Juego de elementos, AH-501, con mica, 120 V
	30311 *	Juego de elementos, AH-502, con mica, 220/240 V
	30312	Juego de elementos, AH-751, con mica, 120 V
2	30313 *	Juego de elementos, AH-752, con mica, 220/240 V
	825	Juego de la barra de soporte
3	827	Aislamiento de mica
4	837	Juego de la boquilla
5	839	Juego del protector de la boquilla
6	845	Juego del interruptor de palanca
7	20108	Juego del pedestal
8	50737	Juego de la agarradera
9	50927	Fusible térmico con terminales y manga termoencogible
10	805	Cable conductor con fusible térmico, interruptor a elemento
11	GRT-023	Protector contra tirones, alojamiento de interruptores/soplador
12	35238	Protector contra tirones, juego del cable de alimentación
13	842	Juego de cable, 120 V, 15 A, con protector contra tirones
	50924	Juego de cable, 120 V, 20 A, con protector contra tirones
	843 *	Juego de cable, 220/240 V, EE. UU., con protector contra tirones
	35229 *	Juego de cable, 220/240 V, europeo, con protector contra tirones
	35258 *	Juego de cable, 220/240 V, británico, con protector contra tirones
14	50989	Rueda del soplador, de metal
15	51008	Conjunto del soplador del motor, 120 V, con protectores contra tirones
	51009 *	Conjunto del soplador del motor, 220/240 V, con protectores contra tirones
		* Únicamente modelos de 220/240 voltios
		Nota: Los juegos incluyen los accesorios (ver vista esquemática)

Accesorio

16	40309	Accesorio para contracción termica 2"
----	-------	---------------------------------------

Las piezas de repuesto y los accesorios para el soplador Masterflow® están diseñados y fabricados según las especificaciones precisas de Master Appliance. Piezas de repuesto y accesorios procedentes de otros fabricantes no están fabricados de acuerdo a estas especificaciones precisas y por lo tanto, pueden provocar dificultades y daños a su soplador Masterflow®. Master Appliance no puede asumir ninguna obligación o responsabilidad civil por dificultades derivadas del uso de piezas de repuesto o accesorios procedentes de otras marcas usadas en un soplador Masterflow®.



Master Appliance Corp.
2420 18th St.
Racine, WI 53403-2381
USA

Tel: 1-800-558-9413 (toll free in the U.S.A. and Canada)
(Appel gratuit aux États-Unis et au Canada)
(Llamada gratuita en los EE. UU y Canadá)

Tel: 001-262-633-7791 (all other Countries)
(tous autres pays)
(todos los demás países)

Fax: 262-633-9745
Email : sales@masterappliance.com
Correo electrónico: sales@masterappliance.com