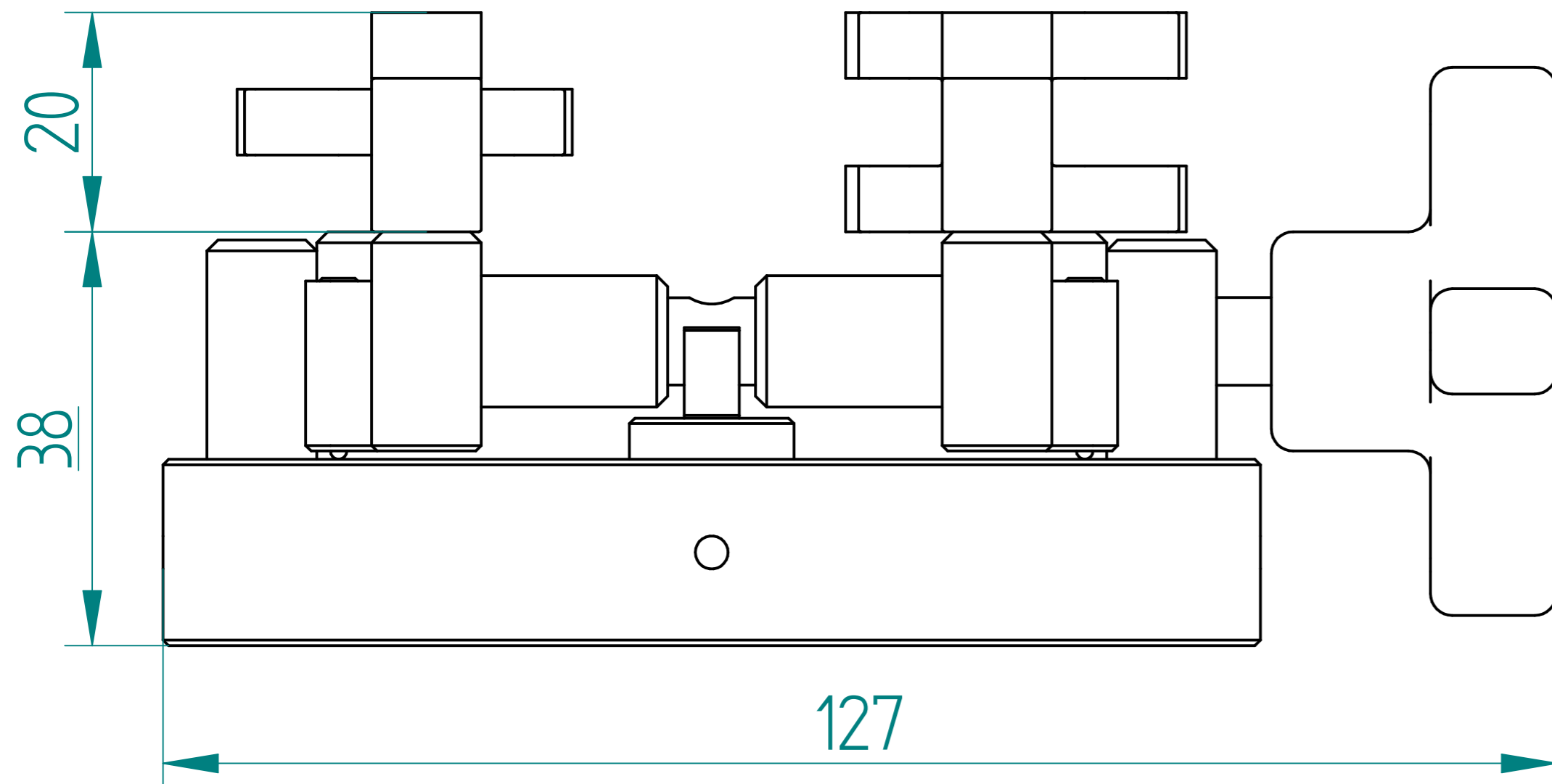
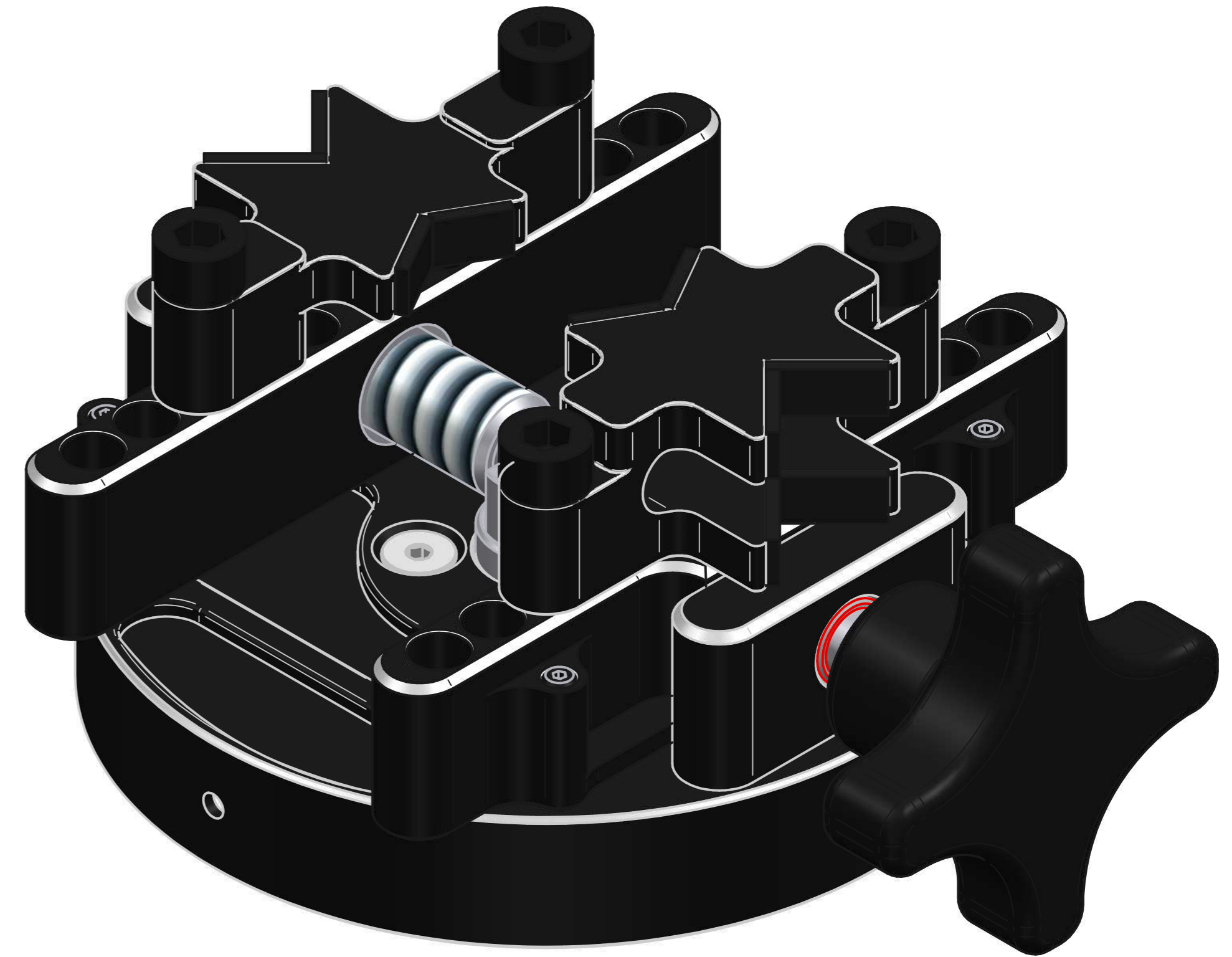
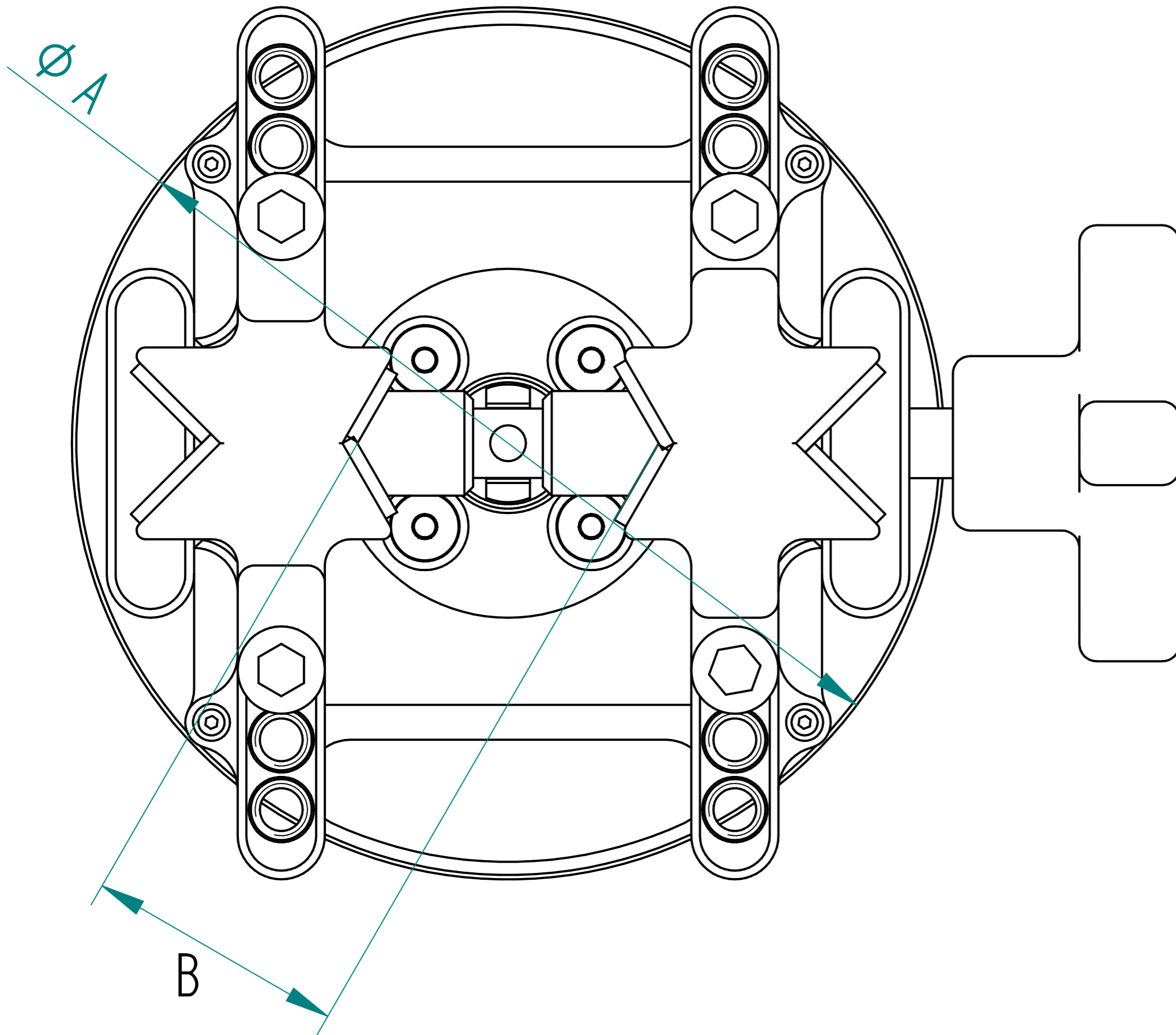


REVISION HISTORY			
REV	DESCRIPTION	DATE	APPROVED



	NAME	DATE	SOLID EDGE	
DRAWN	Glenn	11/12/15	UGS - The PLM Company	
CHECKED			TITLE	
ENG APPR			SIZE	DWG NO
MGR APPR			A2	
UNLESS OTHERWISE SPECIFIED DIMENSIONS ARE IN MILLIMETERS ANGLES ±X.X° 2 PL ±XXX 3 PL ±XXXX			REV	
			FILE NAME:	432-601 Fixture Assy - Marketing - 12.11.15.dft
			SCALE:	WEIGHT:
			SHEET 1 OF 1	