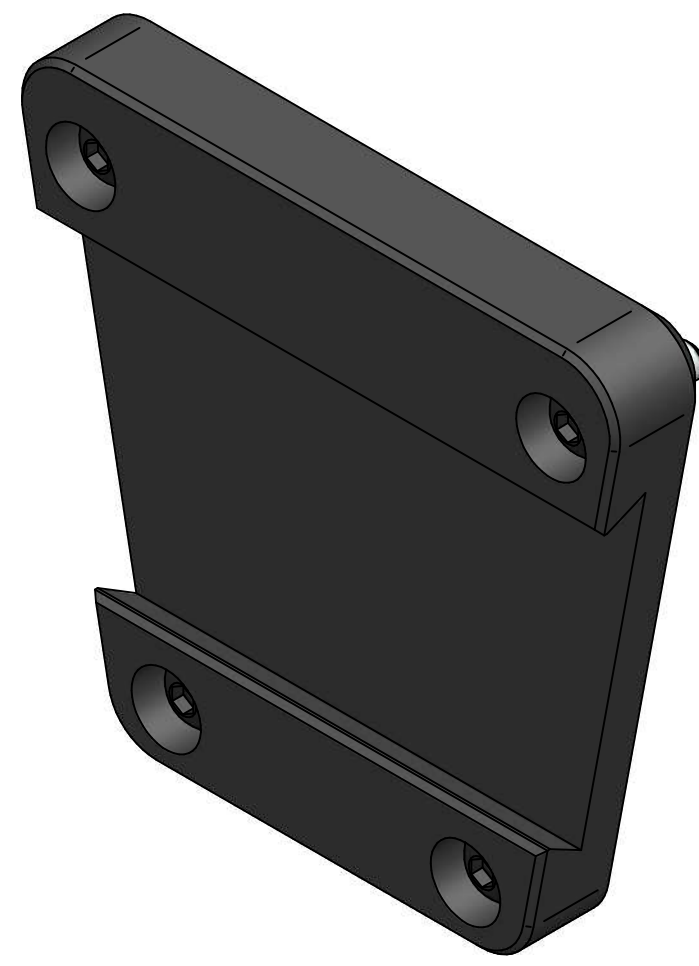
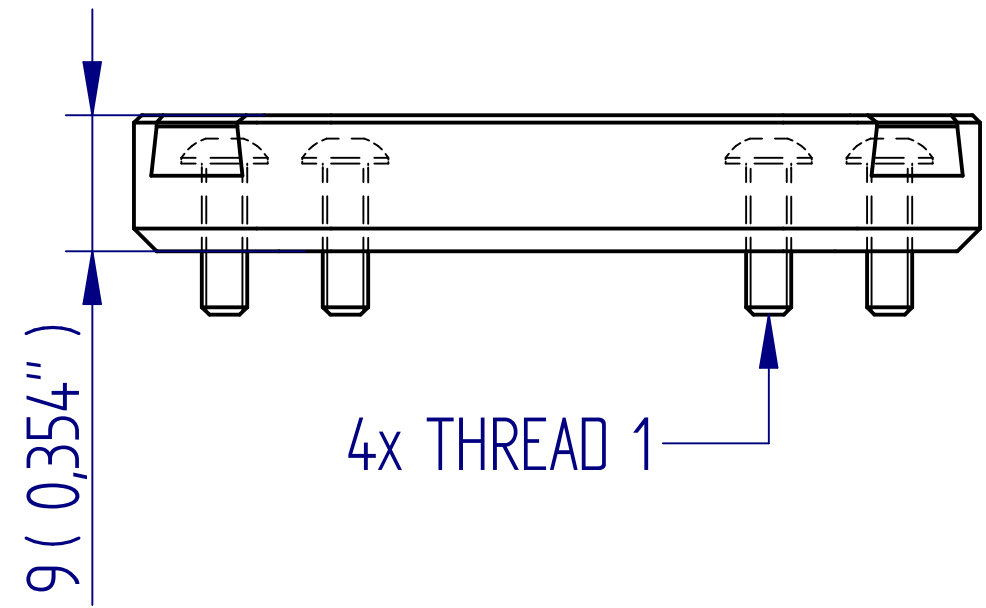
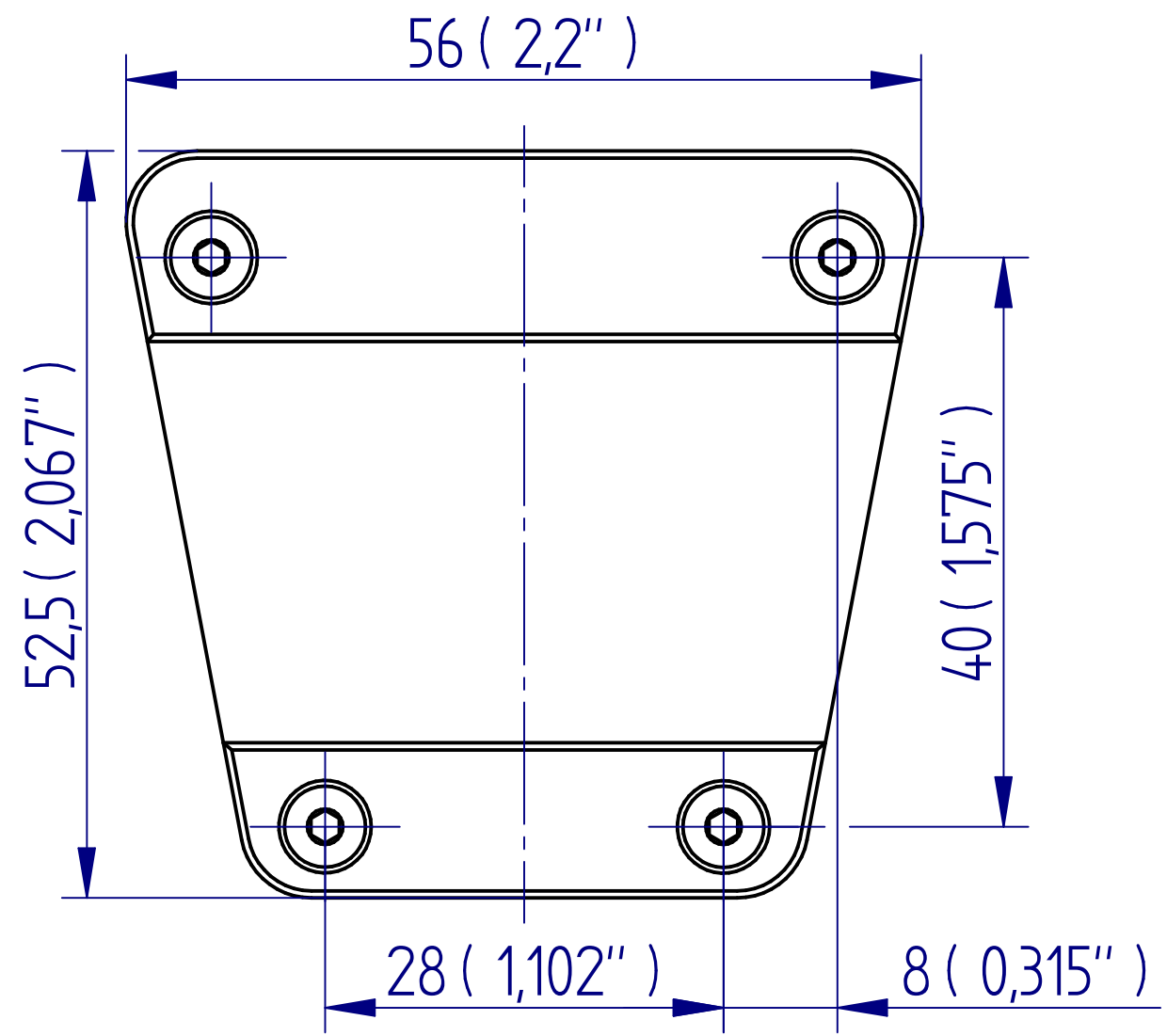
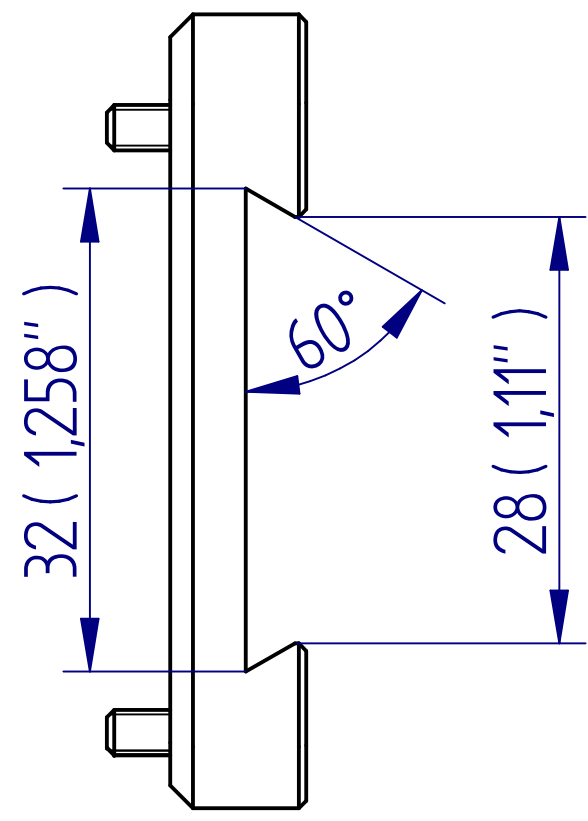


ALL DIMENSIONS ARE IN MILLIMETRES  
FOLLOWED BY INCHES: MM ( IN" )



432-131 Compact Gauge Mounting Plate



testing to perfection

2:1 @ A3