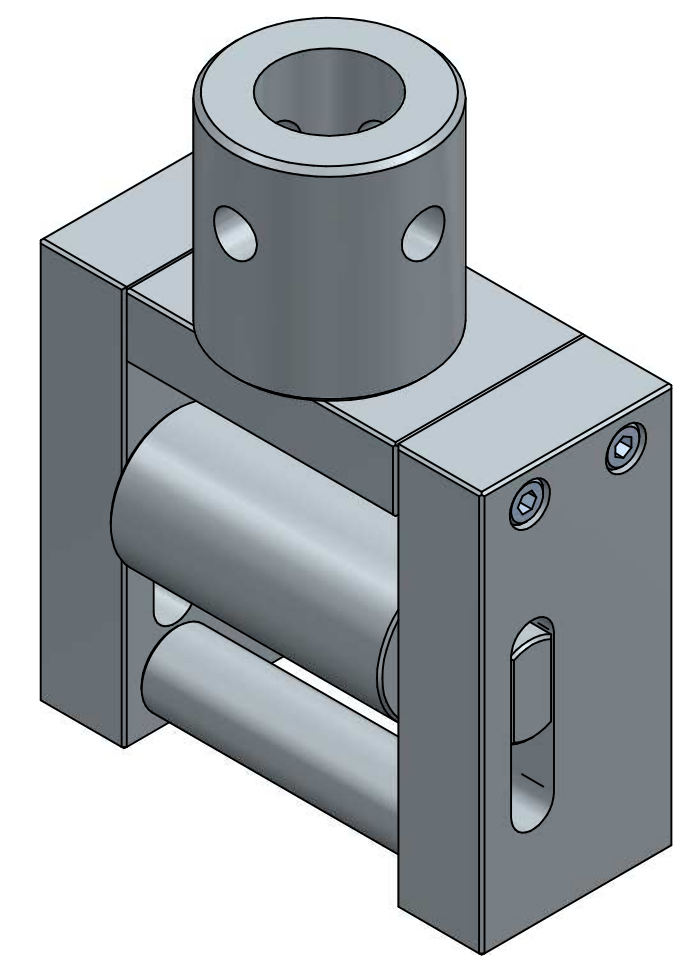
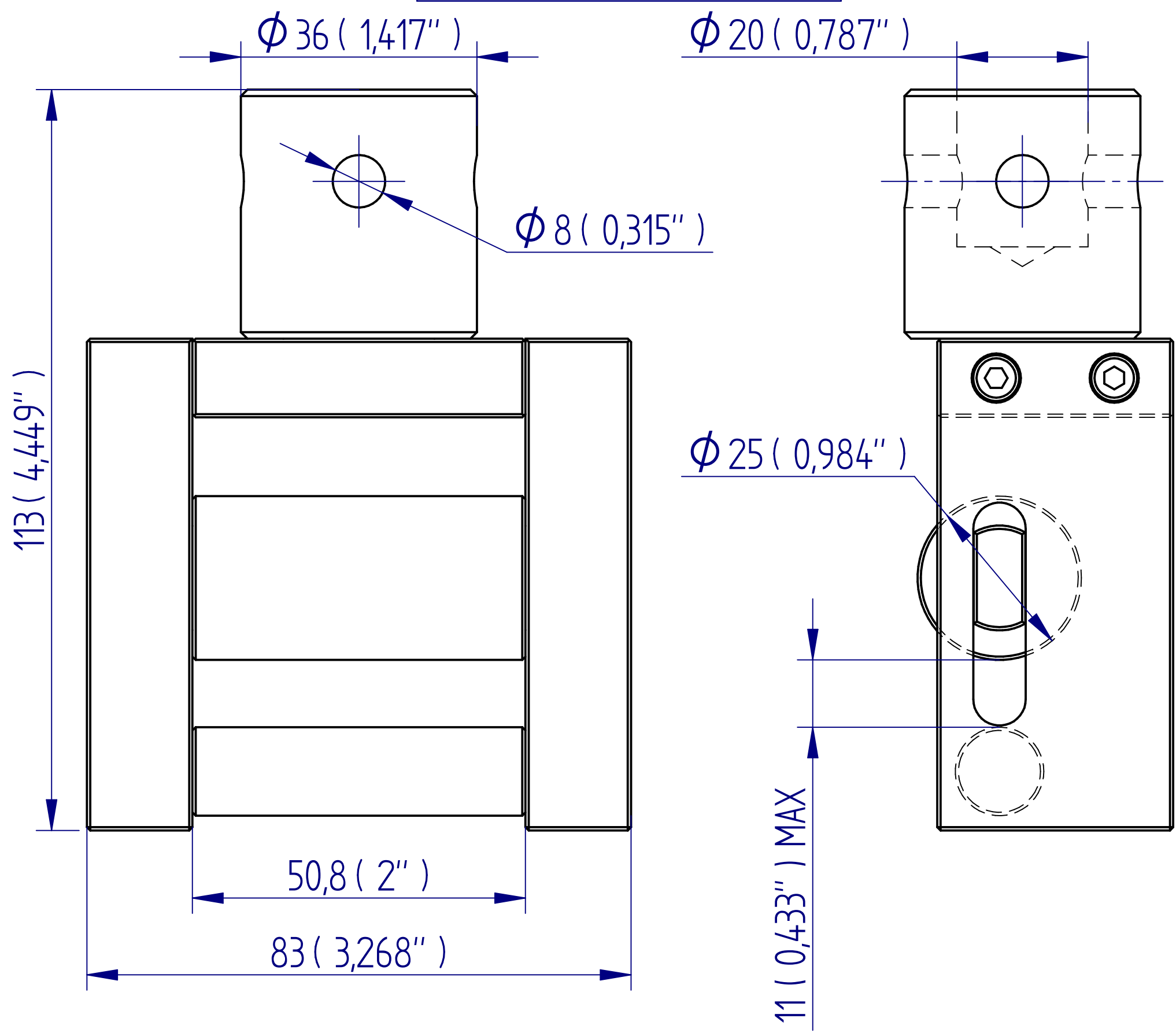


ALL DIMENSIONS ARE IN MILLIMETRES  
FOLLOWED BY INCHES: MM ( IN" )

DRAWING IS INDICATIVE ONLY



1.5:1 @ A3