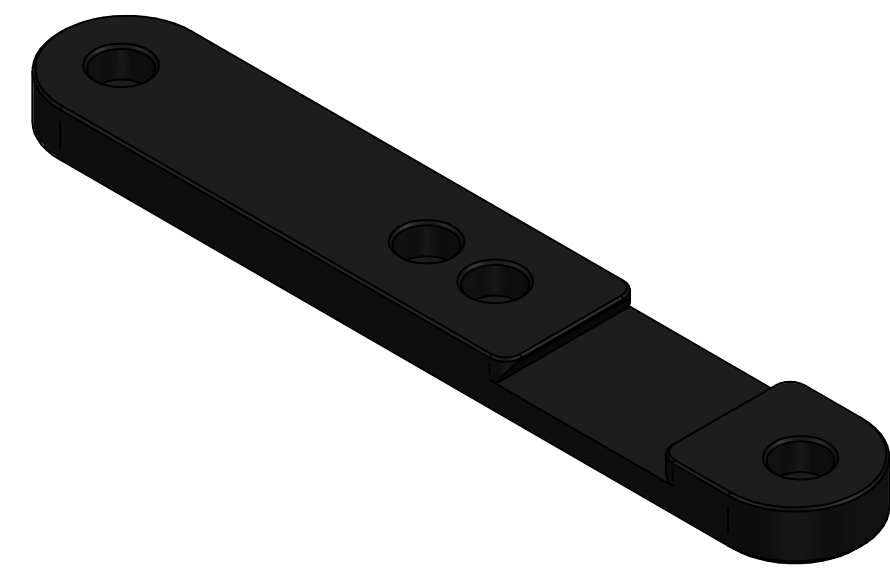
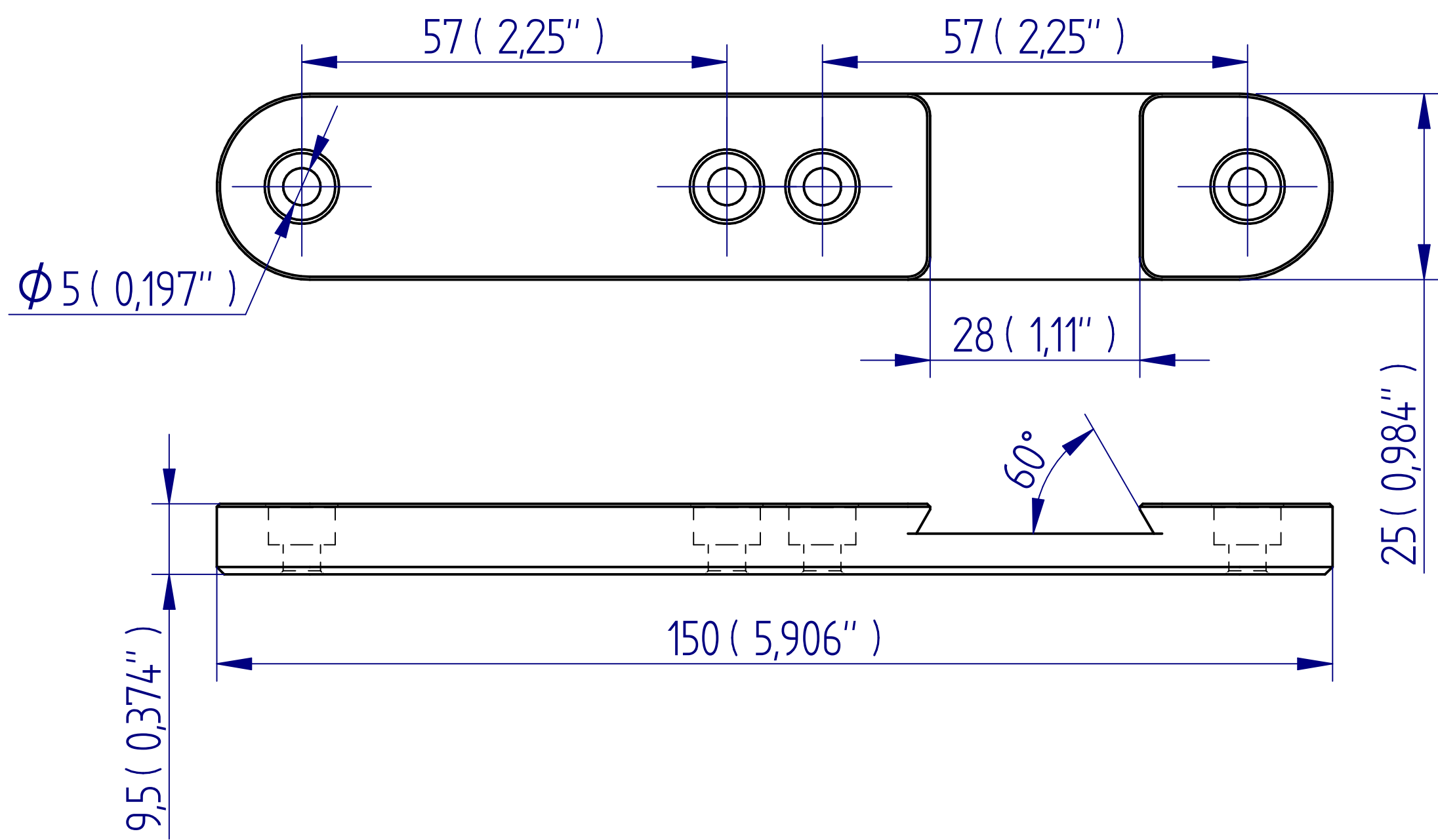


ALL DIMENSIONS ARE IN MILLIMETRES
FOLLOWED BY INCHES: MM (IN")



432-326 EXTENDED DOVETAIL BRACKET

1.5:1 @ A3

