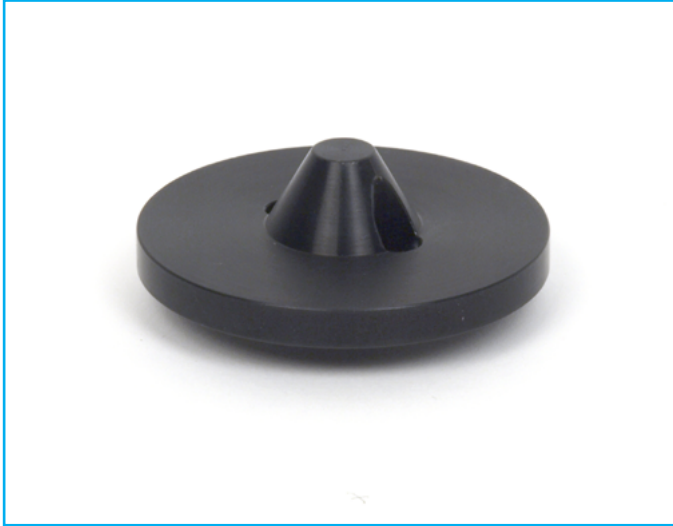


## Vented Compression Plates



### Description

Vented compression plates are ideal for top-load/crush testing of containers such as PET bottles. Two circular vents allow air to escape from the container during compression and an integrated nose cone helps to position containers centrally, minimising bottle slippage during testing. These compression plates are suitable for bottles with necks up to 50 mm (1.97") in diameter.

Supplied individually.

### Applications

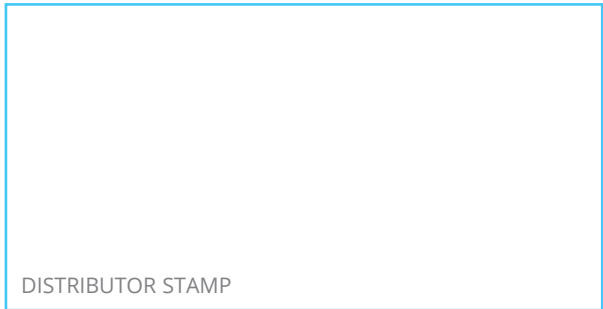
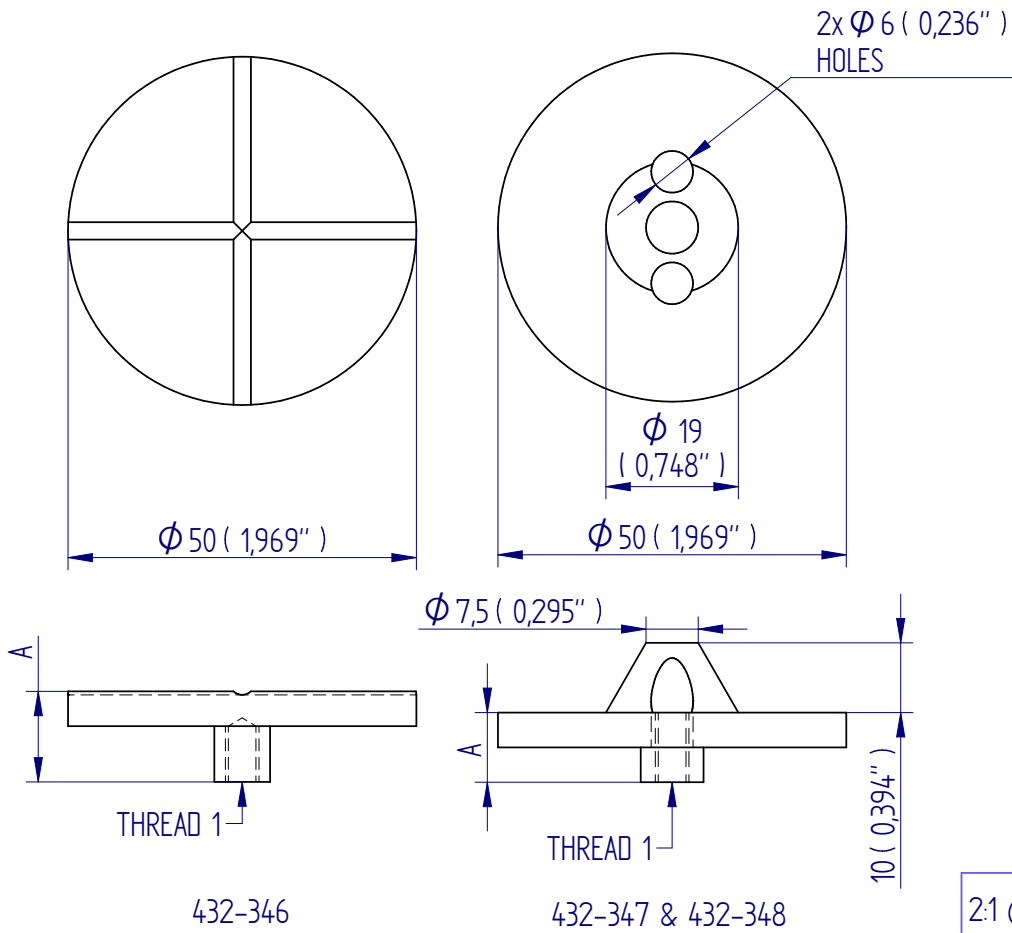
Used for compression testing of:

- plastic bottles
- PET containers

### Specifications

Part No.	Load Capacity	Thread 1	Diameter Ø	Height (B)	Weight
432-346	5 kN / 500 kgf / 1100 lbf	10-32 UNF	50 mm (1.97")	13 mm (0.51")	50 g (0.11 lb)
432-347	5 kN / 500 kgf / 1100 lbf	10-32 UNF	50 mm (1.97")	20 mm (0.79")	50 g (0.11 lb)
432-348	5 kN / 500 kgf / 1100 lbf	5/16 UNC	50 mm (1.97")	22 mm (0.87")	50 g (0.11 lb)

# Dimensions mm (inch)



Mecmesin reserves the right to alter equipment specifications without prior notice.  
E&OE

**Head Office**  
Mecmesin Limited

w: [www.mecmesin.com](http://www.mecmesin.com)  
e: [sales@mecmesin.com](mailto:sales@mecmesin.com)

**France**  
Mecmesin France

w: [www.mecmesin.com/fr](http://www.mecmesin.com/fr)  
e: [contact@mecmesin.fr](mailto:contact@mecmesin.fr)

**Germany**  
Mecmesin GmbH

w: [www.mecmesin.com/de](http://www.mecmesin.com/de)  
e: [info@mecmesin.de](mailto:info@mecmesin.de)

**North America**  
Mecmesin Corporation

w: [www.mecmesin.com](http://www.mecmesin.com)  
e: [info@mecmesincorp.com](mailto:info@mecmesincorp.com)

**Asia**  
Mecmesin Asia Co., Ltd

w: [www.mecmesin.com/th](http://www.mecmesin.com/th)  
e: [sales@mecmesinasia.com](mailto:sales@mecmesinasia.com)

**China**  
Mecmesin (Shanghai) Pte Ltd

w: [www.mecmesin.com/zh](http://www.mecmesin.com/zh)  
e: [sales@mecmesin.cn](mailto:sales@mecmesin.cn)