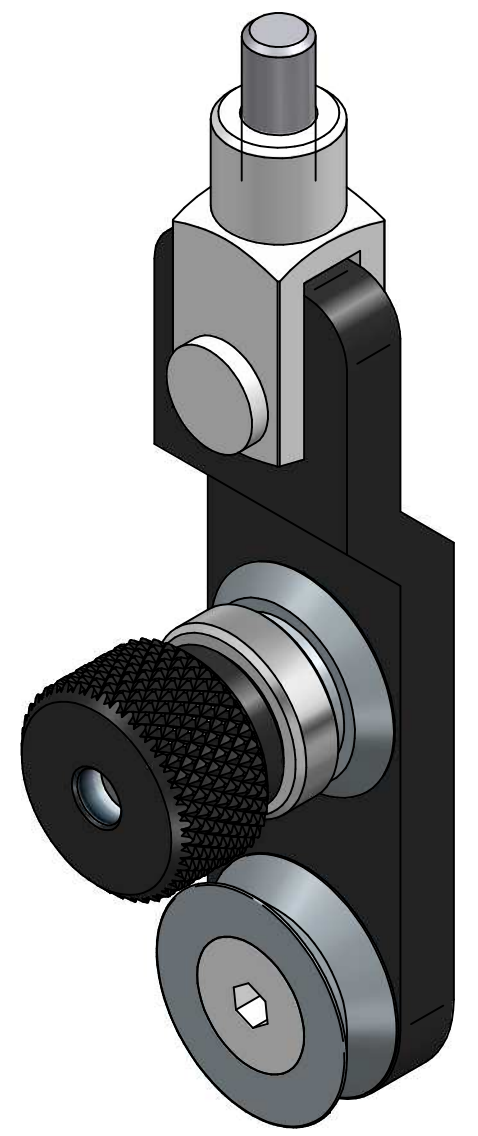
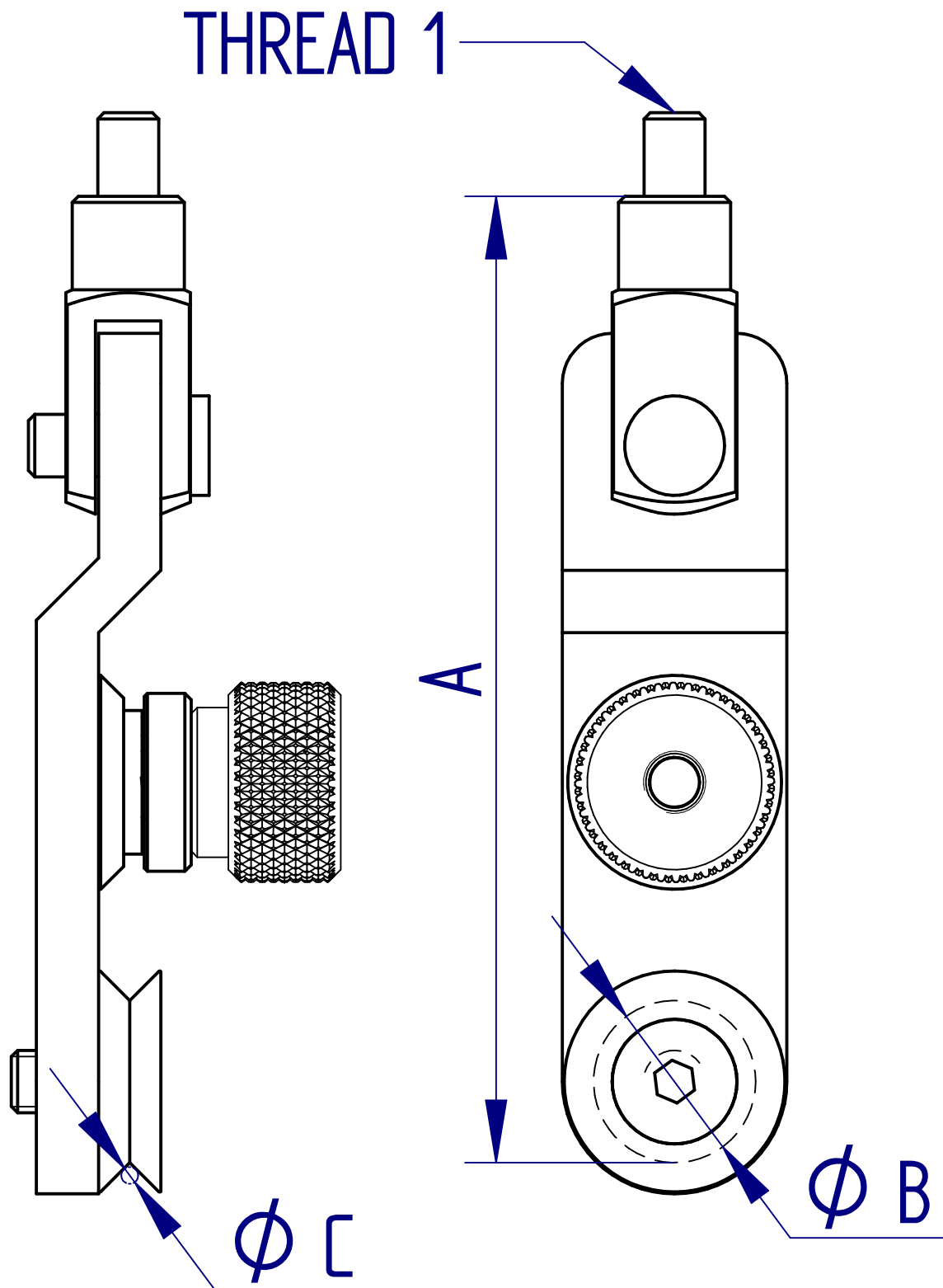


ALL DIMENSIONS ARE IN MILLIMETRES
FOLLOWED BY INCHES: MM (IN")



432-XXX Wire/Filament Grips

DRAWING APPLIES TO PT NO:
432-363 & 432-397 2:1 @ A3

