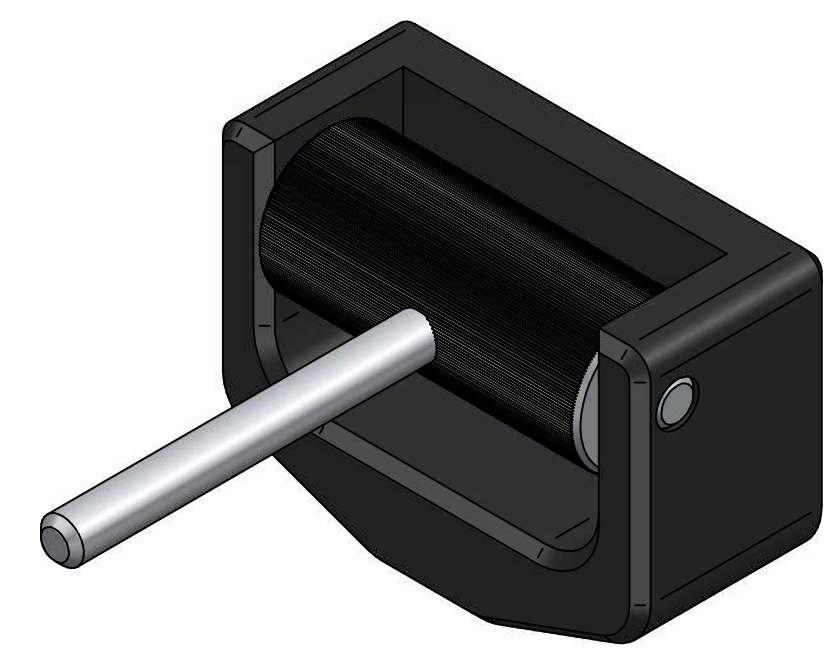
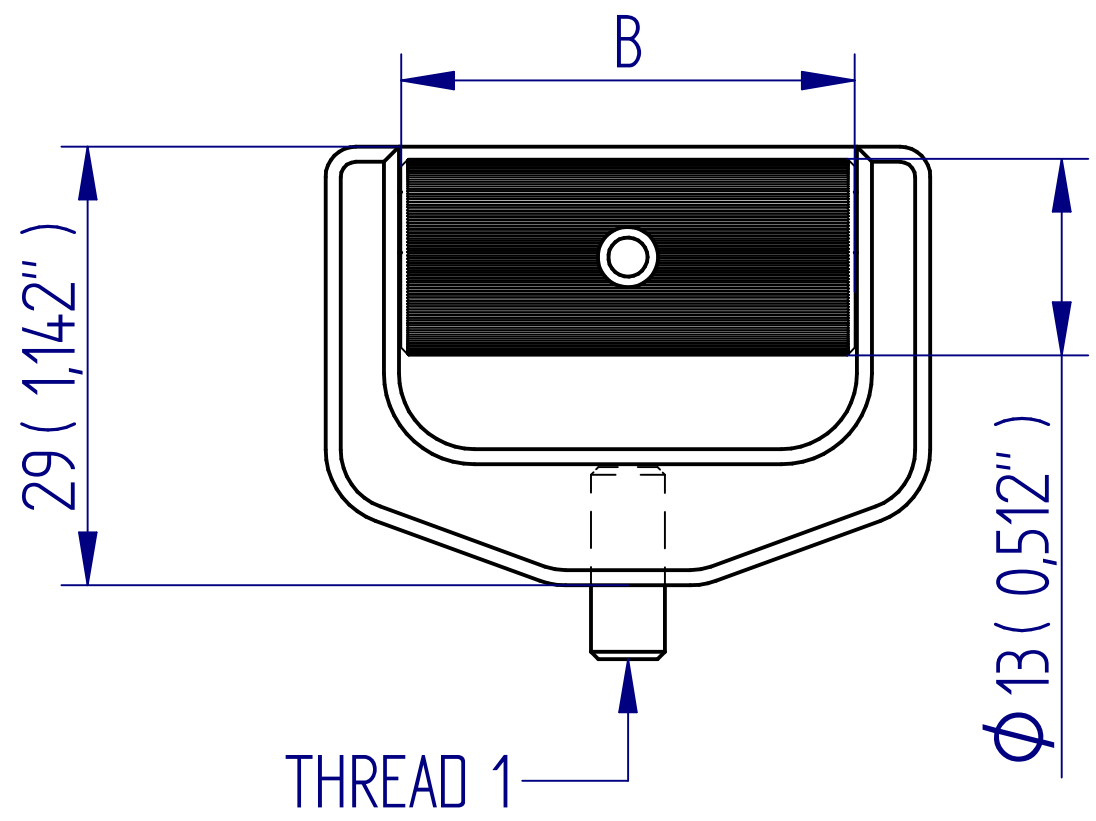
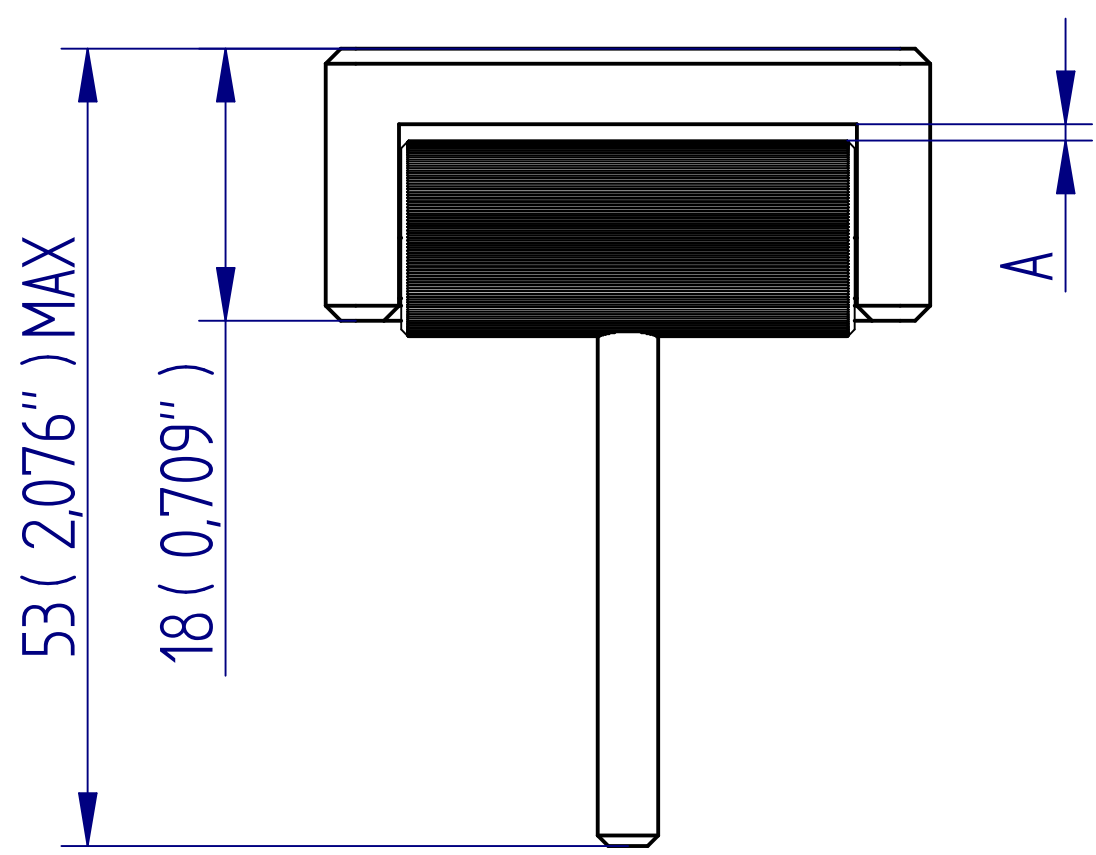


ALL DIMENSIONS ARE IN MILLIMETRES
FOLLOWED BY INCHES: MM (IN")



DRAWING APPLIES TO PT NO:
432-047 & 432-383 2:1 @ A3

432-XXX Lever-Op. Cam Grip (Serrated)

