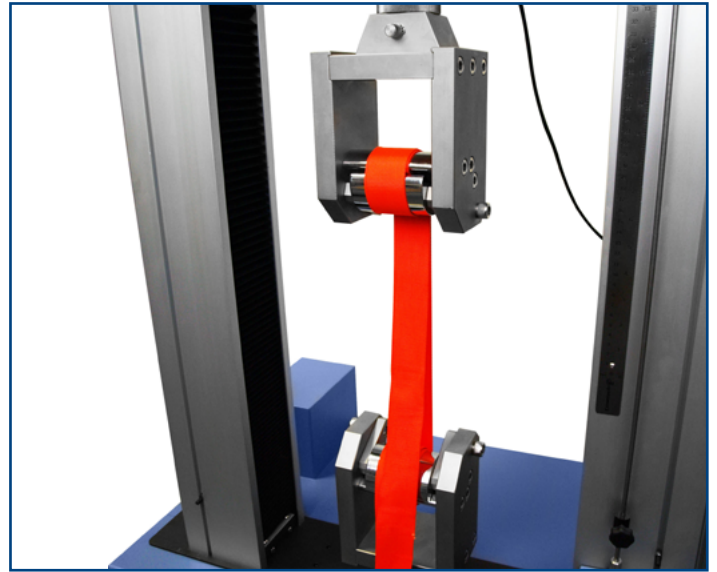


Heavy-duty Textile Grips, QC fitting



Description

Heavy-duty textile grips are ideally suited to tension testing of fabrics, textiles and webbing. The grips are very easy to load, and the self-tightening action ensures that the sample does not slip. Grips are supplied in pairs.

Applications

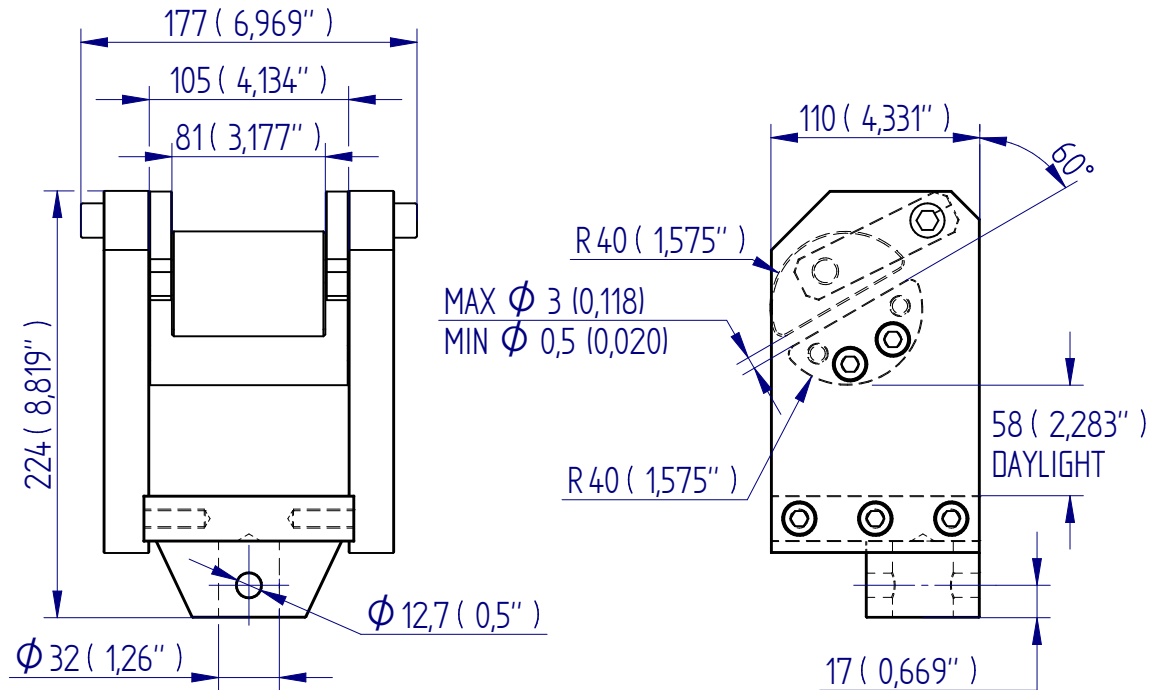
Used for tensile testing of:

- fabrics
- webbing
- textiles

Specifications

Part No.	Load Capacity	Post Ø	Sample Thickness Min./Max. (A)	Max. Specimen Width	Length
432-434	50 kN / 5000 kgf / 11000 lbf	QC-32	0.5 mm / 3 mm (0.02" / 0.118")	81 mm (3.18")	224 mm (8.82")

Dimensions mm (inch)



For more information on QC fittings, refer to datasheet 431-354
Adapters for QC range of grips.



FS 58553

DISTRIBUTOR STAMP

Mecmesin reserves the right to alter equipment specifications without prior notice.
E&OE

Head Office
Mecmesin Limited

w: www.mecmesin.com
e: sales@mecmesin.com

France
Mecmesin France

w: www.mecmesin.com/fr
e: contact@mecmesin.fr

Germany
Mecmesin GmbH

w: www.mecmesin.com/de
e: info@mecmesin.de

North America
Mecmesin Corporation

w: www.mecmesin.com
e: info@mecmesincorp.com

Asia
Mecmesin Asia Co., Ltd

w: www.mecmesin.com/th
e: sales@mecmesinasia.com

China
Mecmesin (Shanghai) Pte Ltd

w: www.mecmesin.com/zh
e: sales@mecmesin.cn