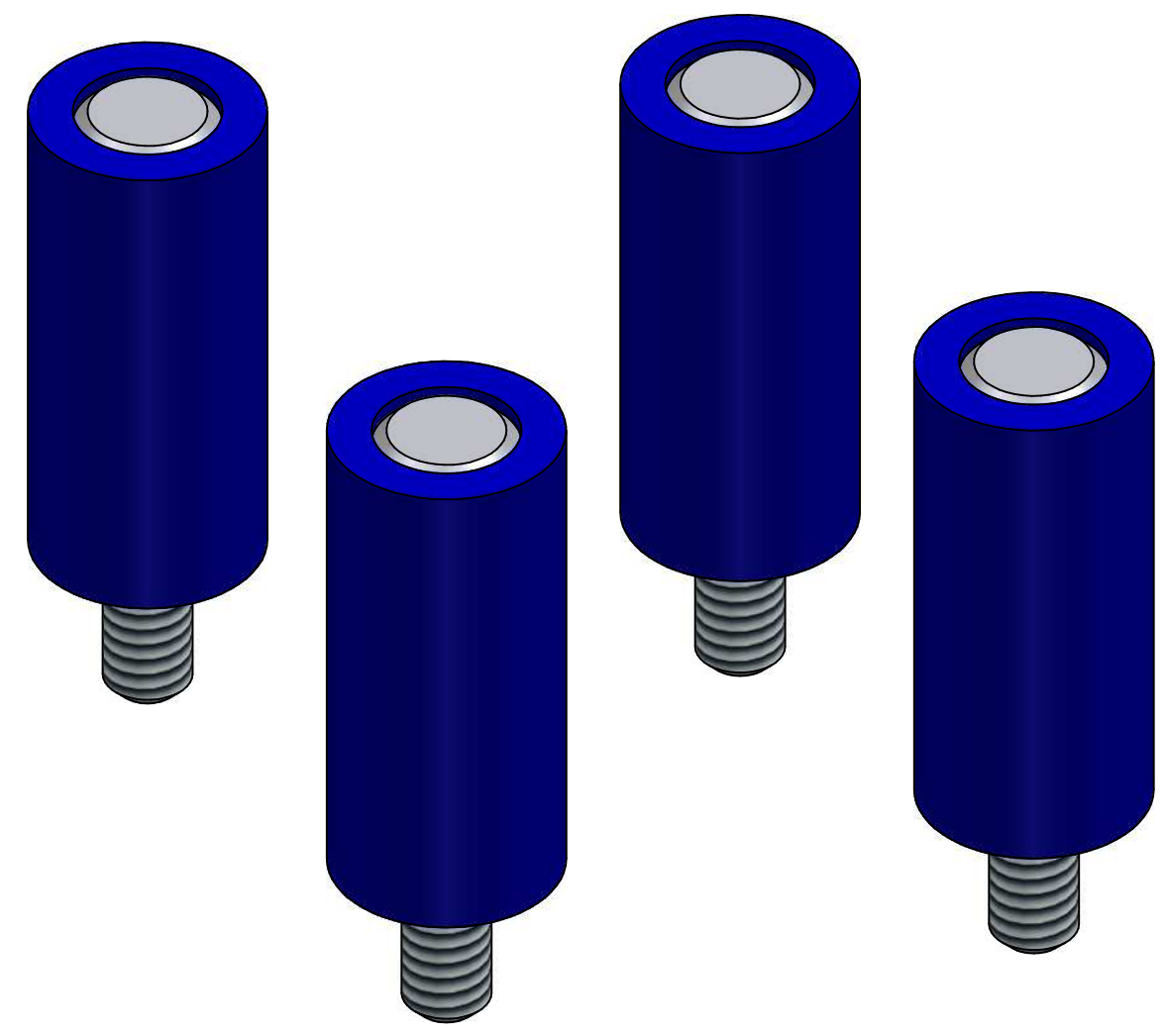
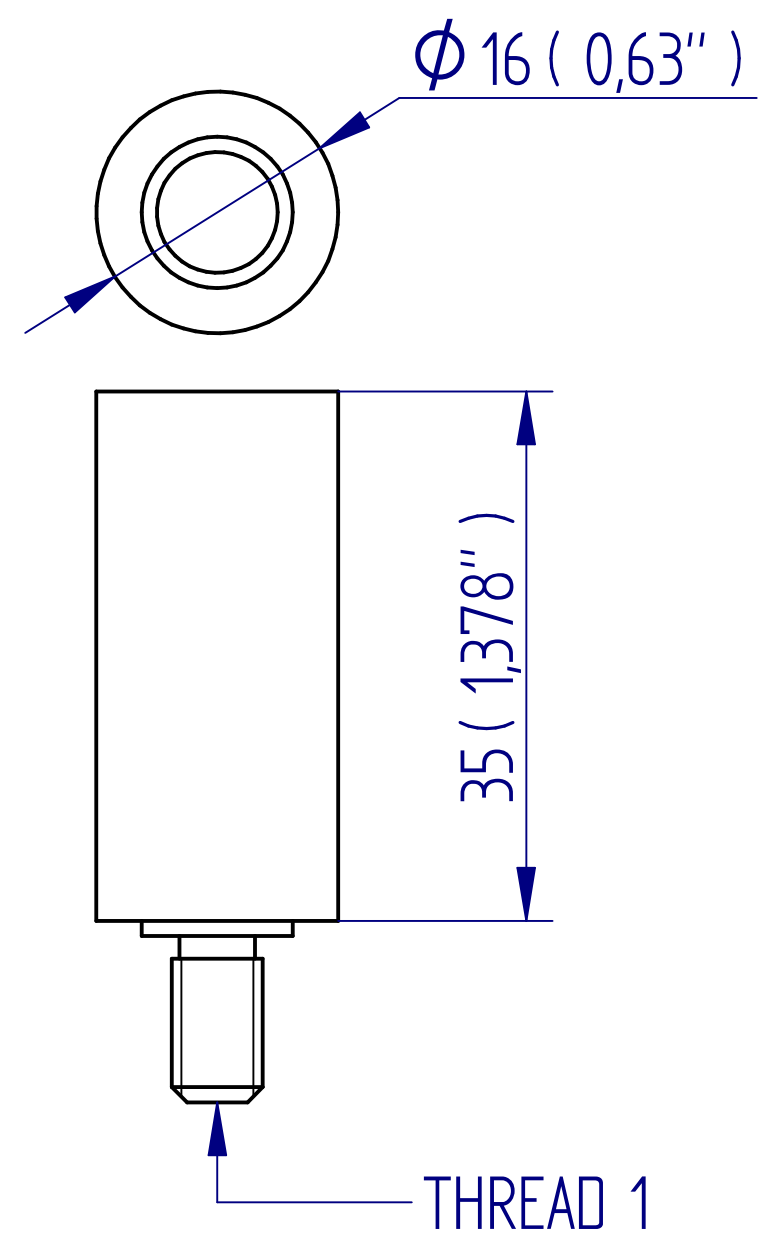


ALL DIMENSIONS ARE IN MILLIMETRES
FOLLOWED BY INCHES: MM (IN")



2:1 @ A3

432-447 Orbis/Tornado Peg

Mecmesin
testing to perfection