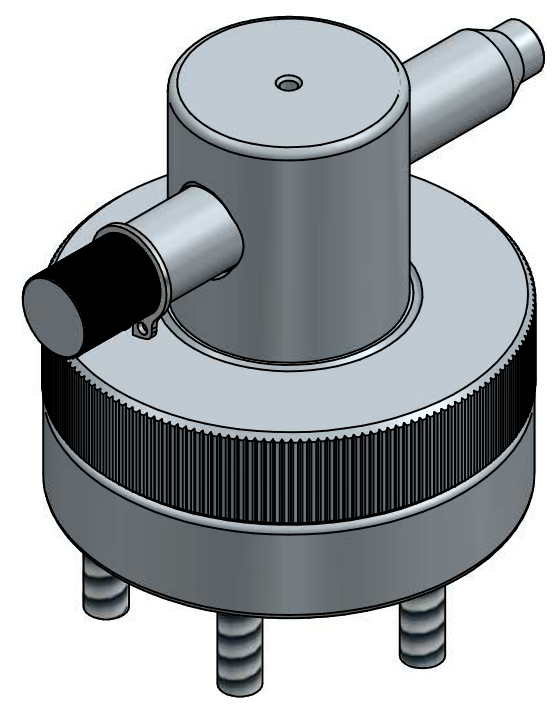
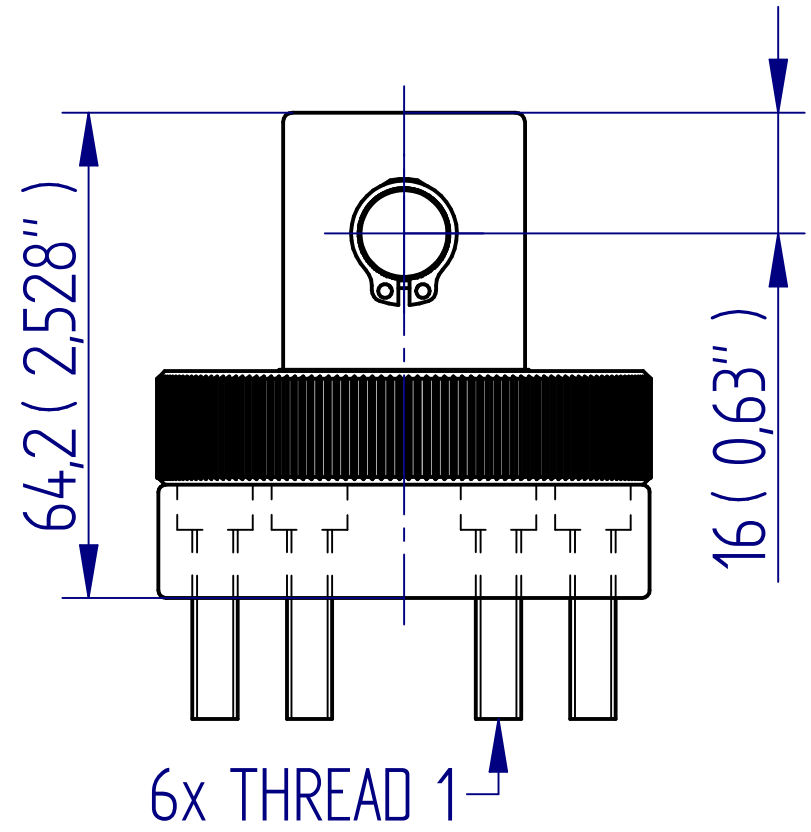
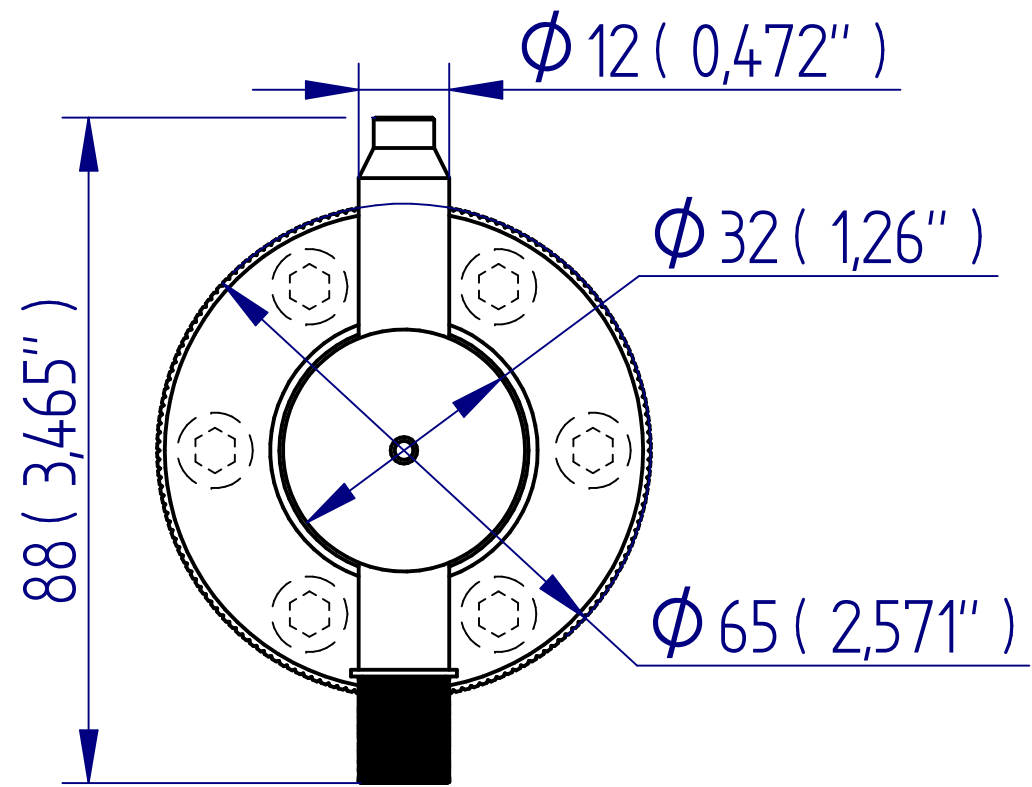


ALL DIMENSIONS ARE IN MILLIMETRES  
FOLLOWED BY INCHES: MM ( IN" )



432-451 50 kN Adaptor Post C/W Pin

1:1 @ A3

