

## Low-Cost Analogue Force Gauges

- accuracy  $\pm 2\%$  of full scale
- low-cost
- compact and lightweight
- push-pull (FD) & push only (DT) gauges
- peak hold readings



The FD and DT series of simple hand-held, push-pull and push only gauges provide an affordable, quick and reliable means of measuring force in tension and compression from just 100 gram-force up to 30 kilogram-force. The housing of these easy-to-use gauges is made from a lightweight plastic, ideal for storing in your toolkit. They come complete with a compression plate, extension rod and test hook (FD version only).

These low-cost analogue force gauges are used in a wide variety of tension and compression applications. For example, insertion testing of electronic components, testing the ripeness of fruit and testing tension belts in ATMs and vending machines.



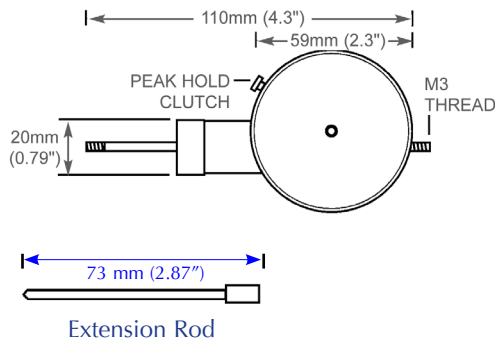
Insertion Testing



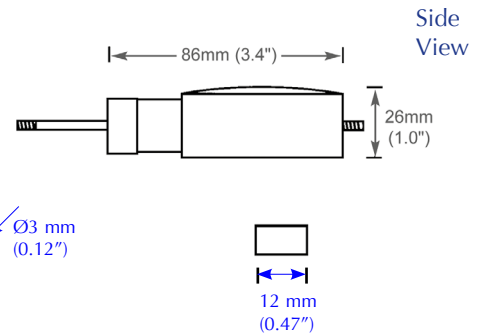
Ripeness Testing

simple  
low-cost  
easy-to-use

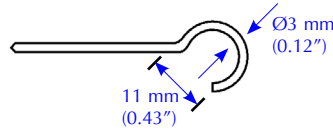
## Dimensions mm (inch)



Front View



Side View



Test Hook (FD only)

Compression Plate

## Specifications

Model	Range	Kilos	Graduation	Range	Pounds	Graduation
<b>Push-pull</b>						
<b>FD 101</b>	100 gf - 1000 gf		10 gf	0.2 lbf - 2 lbf		0.02 lb
<b>FD 102</b>	0.25 kgf - 2.5 kgf		25 gf	0.5 lbf - 5 lbf		0.05 lb
<b>FD 105</b>	0.5 kgf - 5 kgf		50 gf	1 lbf - 10 lbf		0.10 lb
<b>FD 110</b>	1 kgf - 10 kgf		100 gf	2 lbf - 20 lbf		0.25 lb
<b>FD 120</b>	2 kgf - 20 kgf		200 gf	4 lbf - 40 lbf		0.50 lb
<b>FD 130</b>	3 kgf - 30 kgf		250 gf	6 lbf - 60 lbf		0.50 lb
<b>Push only</b>						
<b>DT 101</b>	100 gf - 1000 gf		10 gf	0.2 lbf - 2 lbf		0.02 lb
<b>DT 102</b>	0.25 kgf - 2.5 kgf		25 gf	0.5 lbf - 5 lbf		0.05 lb
<b>DT 105</b>	0.5 kgf - 5 kgf		50 gf	1 lbf - 10 lbf		0.10 lb
<b>DT 110</b>	1 kgf - 10 kgf		100 gf	2 lbf - 20 lbf		0.25 lb
<b>DT 120</b>	2 kgf - 20 kgf		200 gf	4 lbf - 40 lbf		0.50 lb
<b>DT 130</b>	3 kgf - 30 kgf		250 gf	6 lbf - 60 lbf		0.50 lb
<b>Weight</b>		76 g			2.7 oz	
<b>Accuracy</b>			±2% of full scale			
<b>Calibration</b>			Calibration Certificate available upon request			



FS 58553

Mecmesin reserves the right to alter equipment specifications without prior notice.

E&OE

DISTRIBUTOR STAMP

**Head Office**  
Mecmesin Limited

w: [www.mecmesin.com](http://www.mecmesin.com)  
e: [sales@mecmesin.com](mailto:sales@mecmesin.com)

**North America**  
Mecmesin Corporation

w: [www.mecmesincorp.com](http://www.mecmesincorp.com)  
e: [info@mecmesincorp.com](mailto:info@mecmesincorp.com)

**France**  
Mecmesin France

w: [www.mecmesin.fr](http://www.mecmesin.fr)  
e: [contact@mecmesin.fr](mailto:contact@mecmesin.fr)

**Asia**  
Mecmesin Asia Co., Ltd

w: [www.mecmesinasia.com](http://www.mecmesinasia.com)  
e: [sales@mecmesinasia.com](mailto:sales@mecmesinasia.com)

**Germany**  
Mecmesin GmbH

w: [www.mecmesin.de](http://www.mecmesin.de)  
e: [info@mecmesin.de](mailto:info@mecmesin.de)

**China**  
Mecmesin (Shanghai) Pte Ltd

w: [www.mecmesin.cn](http://www.mecmesin.cn)  
e: [sales@mecmesin.cn](mailto:sales@mecmesin.cn)