

Low-Cost Analogue Force Gauges

- accuracy $\pm 2\%$ of full scale
- low-cost
- compact and lightweight
- push-pull (FD) & push only (DT) gauges
- peak hold readings



The FD and DT series of simple hand-held, push-pull and push only gauges provide an affordable, quick and reliable means of measuring force in tension and compression from just 100 gram-force up to 30 kilogram-force. The housing of these easy-to-use gauges is made from a lightweight plastic, ideal for storing in your toolkit. They come complete with a compression plate, extension rod and test hook (FD version only).

These low-cost analogue force gauges are used in a wide variety of tension and compression applications. For example, insertion testing of electronic components, testing the ripeness of fruit and testing tension belts in ATMs and vending machines.



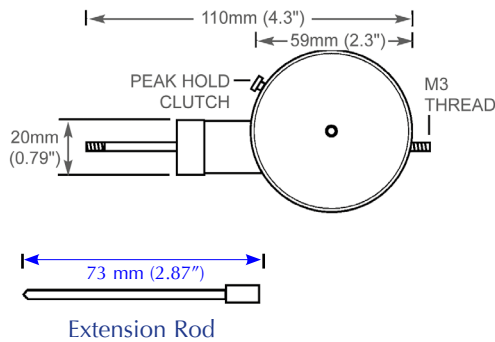
Insertion Testing



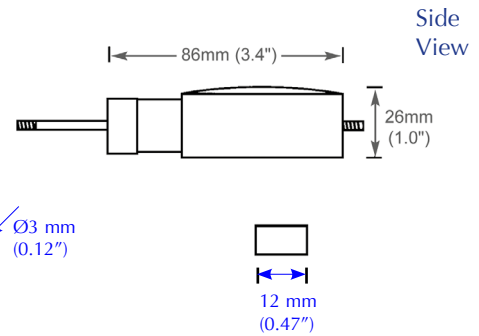
Ripeness Testing

simple
low-cost
easy-to-use

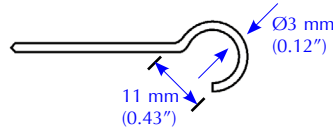
Dimensions mm (inch)



Front View



Side View



Test Hook (FD only)

Compression Plate

Specifications

Model	Range	Kilos	Graduation	Range	Pounds	Graduation
Push-pull						
FD 101	100 gf - 1000 gf		10 gf	0.2 lbf - 2 lbf		0.02 lb
FD 102	0.25 kgf - 2.5 kgf		25 gf	0.5 lbf - 5 lbf		0.05 lb
FD 105	0.5 kgf - 5 kgf		50 gf	1 lbf - 10 lbf		0.10 lb
FD 110	1 kgf - 10 kgf		100 gf	2 lbf - 20 lbf		0.25 lb
FD 120	2 kgf - 20 kgf		200 gf	4 lbf - 40 lbf		0.50 lb
FD 130	3 kgf - 30 kgf		250 gf	6 lbf - 60 lbf		0.50 lb
Push only						
DT 101	100 gf - 1000 gf		10 gf	0.2 lbf - 2 lbf		0.02 lb
DT 102	0.25 kgf - 2.5 kgf		25 gf	0.5 lbf - 5 lbf		0.05 lb
DT 105	0.5 kgf - 5 kgf		50 gf	1 lbf - 10 lbf		0.10 lb
DT 110	1 kgf - 10 kgf		100 gf	2 lbf - 20 lbf		0.25 lb
DT 120	2 kgf - 20 kgf		200 gf	4 lbf - 40 lbf		0.50 lb
DT 130	3 kgf - 30 kgf		250 gf	6 lbf - 60 lbf		0.50 lb
Weight		76 g			2.7 oz	
Accuracy			±2% of full scale			
Calibration			Calibration Certificate available upon request			



Mecmesin reserves the right to alter equipment specifications without prior notice.

E&OE

DISTRIBUTOR STAMP

Head Office
Mecmesin Limited

w: www.mecmesin.com
e: sales@mecmesin.com

North America
Mecmesin Corporation

w: www.mecmesincorp.com
e: info@mecmesincorp.com

France
Mecmesin France

w: www.mecmesin.fr
e: contact@mecmesin.fr

Asia
Mecmesin Asia Co., Ltd

w: www.mecmesinasia.com
e: sales@mecmesinasia.com

Germany
Mecmesin GmbH

w: www.mecmesin.de
e: info@mecmesin.de

China
Mecmesin (Shanghai) Pte Ltd

w: www.mecmesin.cn
e: sales@mecmesin.cn