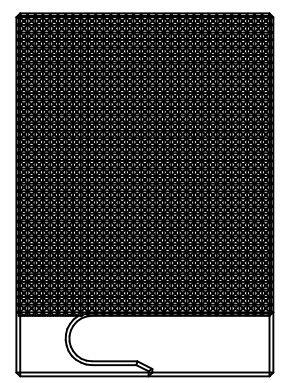
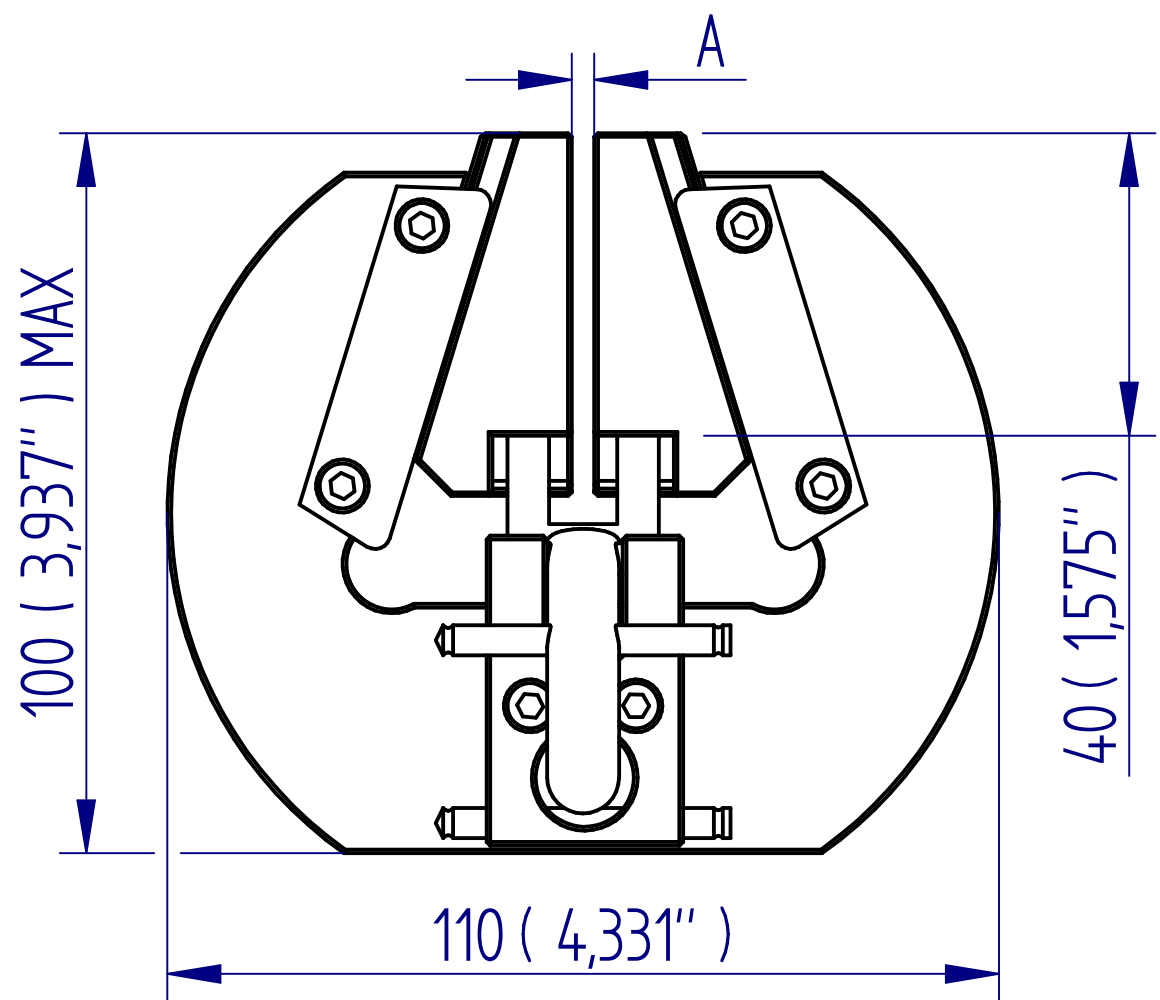
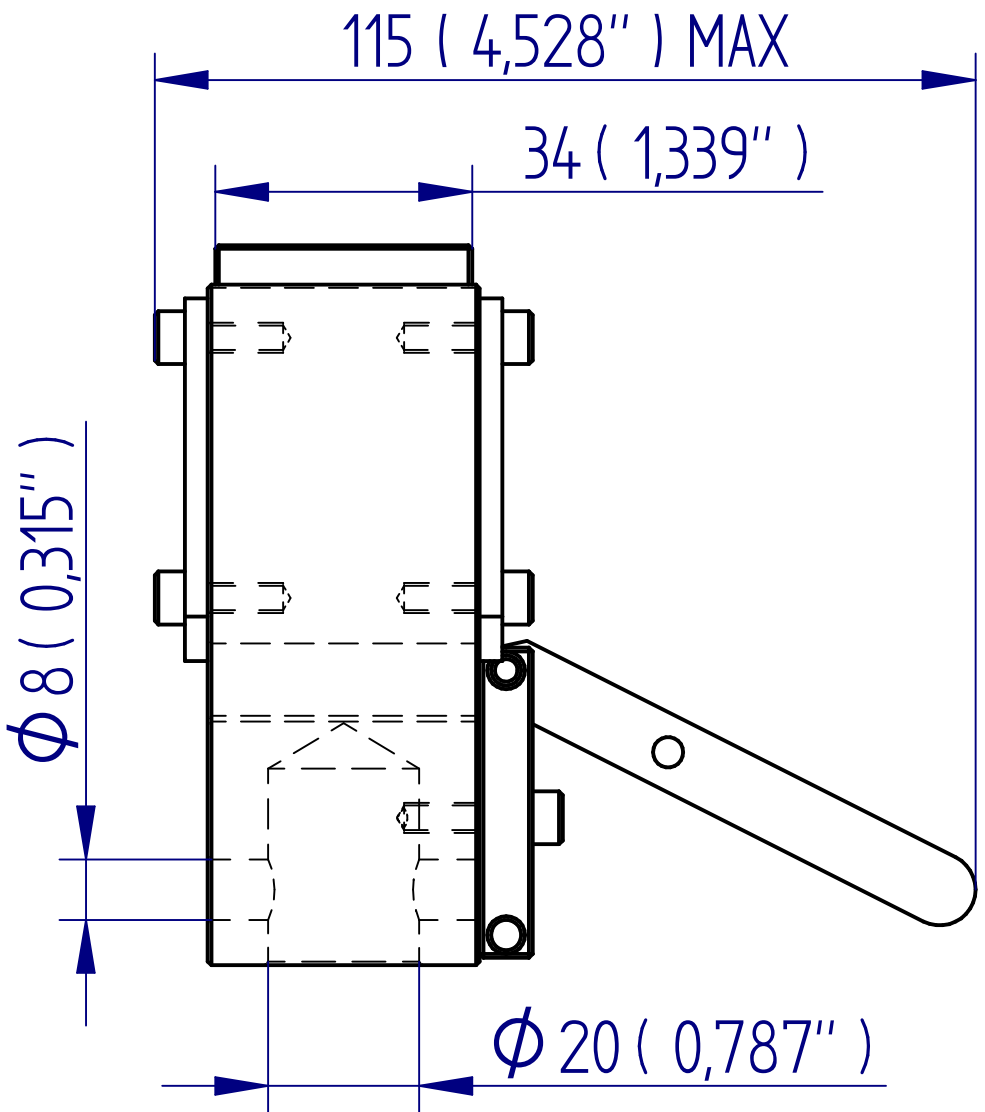
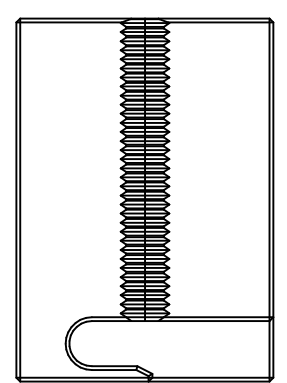


ALL DIMENSIONS ARE IN MILLIMETRES  
 FOLLOWED BY INCHES: MM ( IN" )

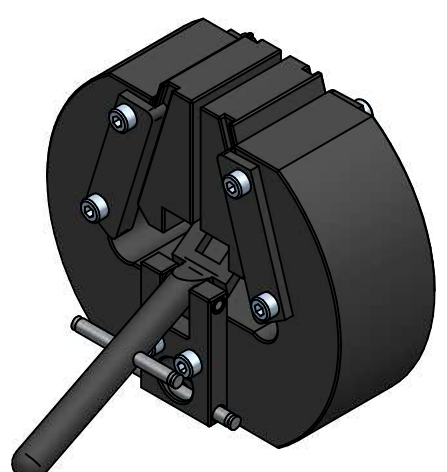


432-460  
 PYRAMID JAWS  
 FOR FLAT SAMPLES



432-461  
 'V' JAWS  
 FOR ROUND SAMPLES  
 3-9 MM DIAMETER

NOTE:  
 JAWS MUST BE  
 ORDERED SEPARATELY



DRAWING APPLIES TO PT NO:  
 432-459,460,461

1:1 @ A3

432-XXX Wedge Grip and Jaws

