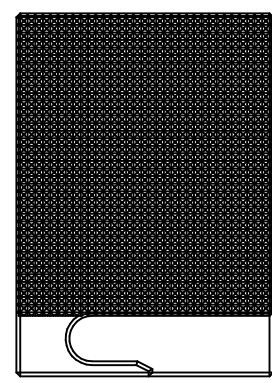
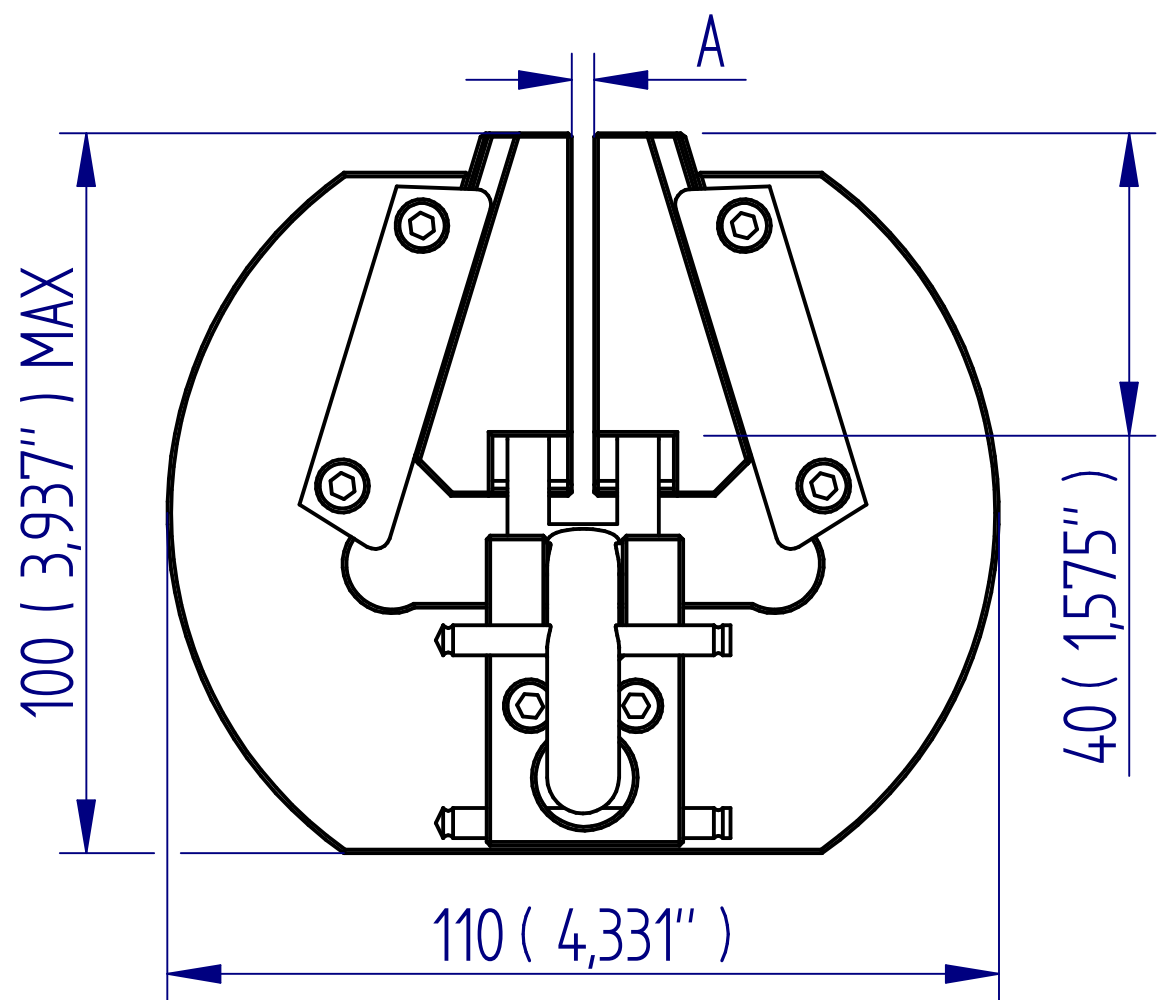
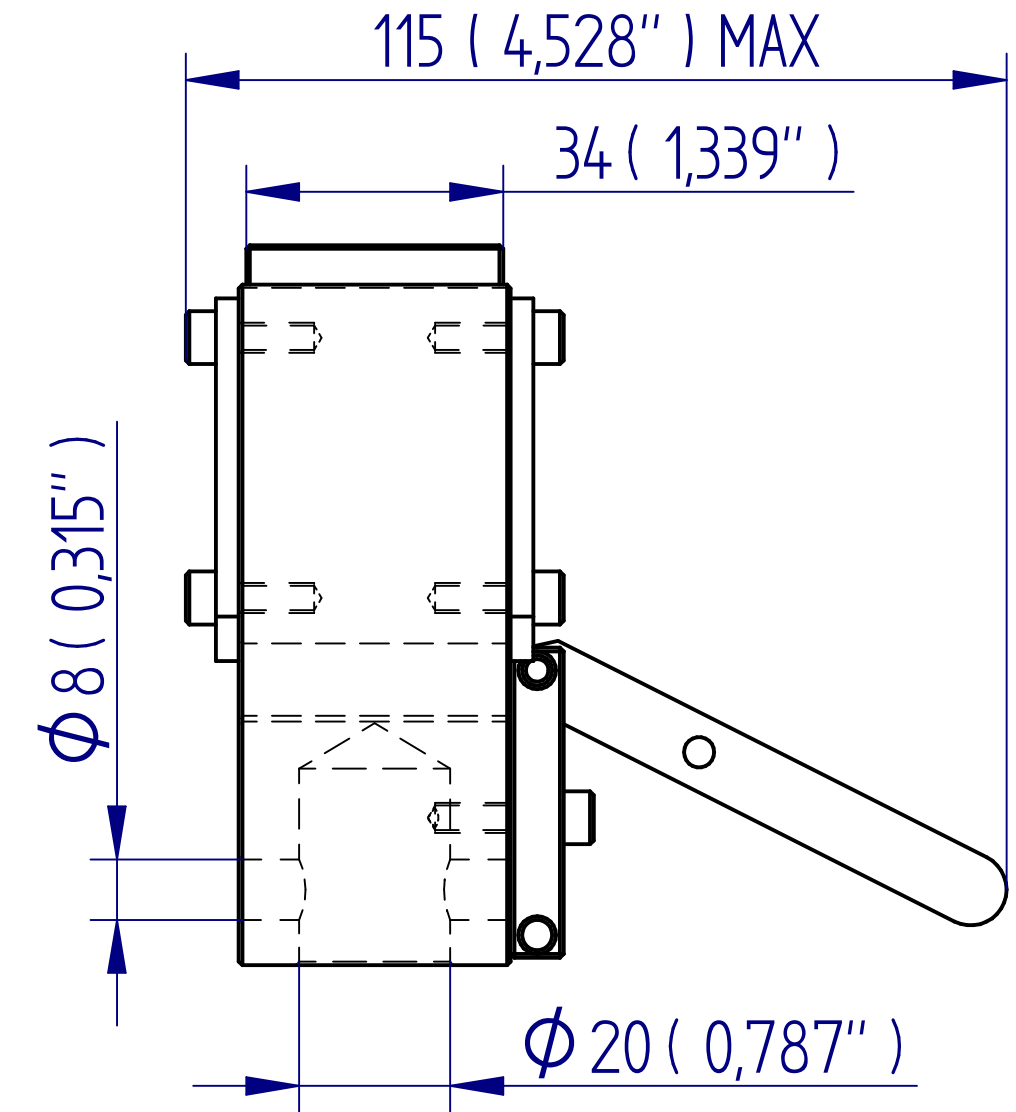
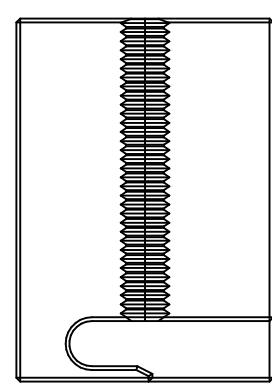


ALL DIMENSIONS ARE IN MILLIMETRES
FOLLOWED BY INCHES: MM (IN")

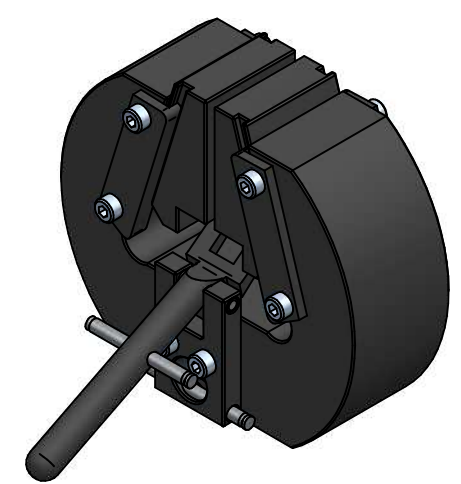


432-460
PYRAMID JAWS
FOR FLAT SAMPLES



432-461
'V' JAWS
FOR ROUND SAMPLES
3-9 MM DIAMETER

NOTE:
JAWS MUST BE
ORDERED SEPARATELY



432-XXX Wedge Grip and Jaws

DRAWING APPLIES TO PT NO:
432-459,460,461

1:1 @ A3

