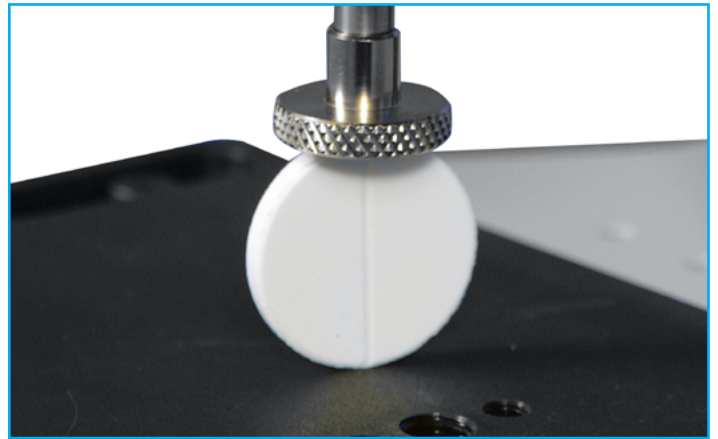


Nickel Plated Compression Plates



Description

Nickel plated compression plates are resistant to rusting.

Supplied individually.

Applications

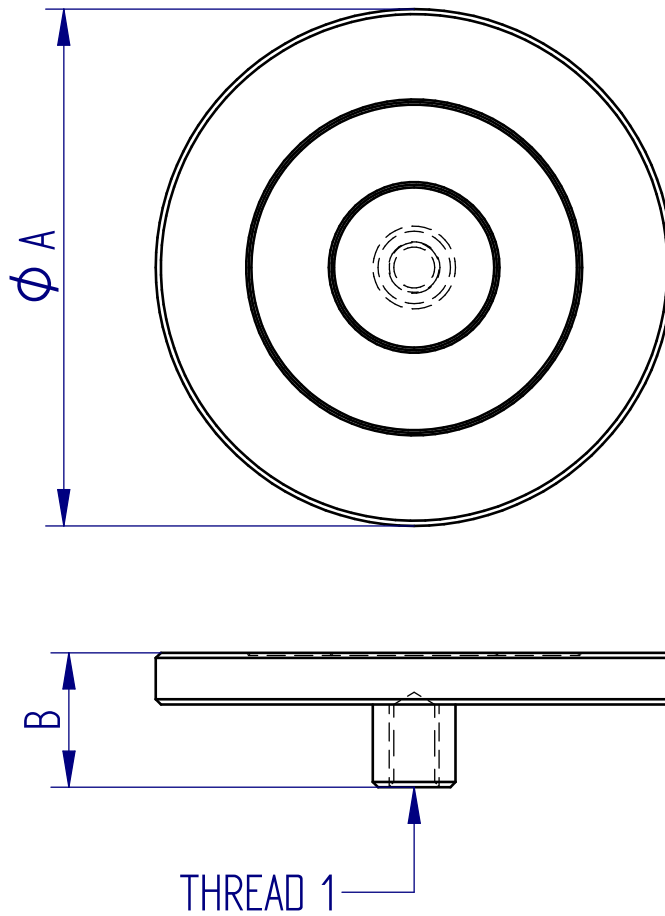
Used for compression testing of:

- metals
- mortar
- cement
- plaster

Specifications

| Part No. | Load Capacity | Thread 1 | Diameter (ØA) | Height (B) | Weight |
|-------------|---------------------------|-----------|---------------|---------------|----------------|
| 432-119 | 5 kN / 500 kgf / 1100 lbf | 10-32 UNF | 12 mm (0.47") | 12 mm (0.47") | 6 g (0.01 lb) |
| 432-188-F95 | 5 kN / 500 kgf / 1100 lbf | M6 | 12 mm (0.47") | 12 mm (0.47") | 5 g (0.01 lb) |
| 432-121 | 5 kN / 500 kgf / 1100 lbf | 10-32 UNF | 19 mm (0.75") | 16 mm (0.63") | 12 g (0.03 lb) |
| 432-125 | 5 kN / 500 kgf / 1100 lbf | 5/16 UNC | 19 mm (0.75") | 19 mm (0.75") | 17 g (0.04 lb) |
| 432-005 | 5 kN / 500 kgf / 1100 lbf | M6 | 19 mm (0.75") | 16 mm (0.63") | 10 g (0.02 lb) |
| 432-343 | 5 kN / 500 kgf / 1100 lbf | 10-32 UNF | 50 mm (1.97") | 13 mm (0.51") | 79 g (0.17 lb) |
| 432-344 | 5 kN / 500 kgf / 1100 lbf | 5/16 UNC | 50 mm (1.97") | 16 mm (0.63") | 84 g (0.19 lb) |

Dimensions mm (inch)



FS 58553

DISTRIBUTOR STAMP

Mecmesin reserves the right to alter equipment specifications without prior notice.
E&OE

Head Office
Mecmesin Limited

w: www.mecmesin.com
e: sales@mecmesin.com

France
Mecmesin France

w: www.mecmesin.com/fr
e: contact@mecmesin.fr

Germany
Mecmesin GmbH

w: www.mecmesin.com/de
e: info@mecmesin.de

North America
Mecmesin Corporation

w: www.mecmesin.com
e: info@mecmesincorp.com

Asia
Mecmesin Asia Co., Ltd

w: www.mecmesin.com/th
e: sales@mecmesinasia.com

China
Mecmesin (Shanghai) Pte Ltd

w: www.mecmesin.com/zh
e: sales@mecmesin.cn