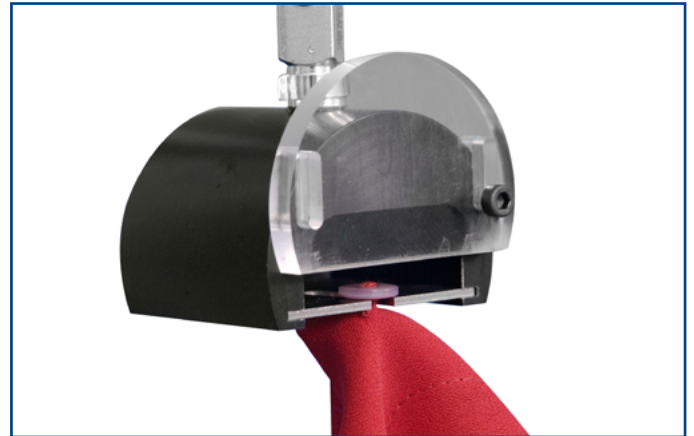


Button Pull-off Fixture with 3 Plates



Description

This fixture engages the button shank in a slot for testing the tensile strength to failure. Three slotted interchangeable plates accommodate different shank diameters. A shatter-protection guard contains broken buttons. Typically used with the 25 mm / 50 mm 'grab test' textile fixture.

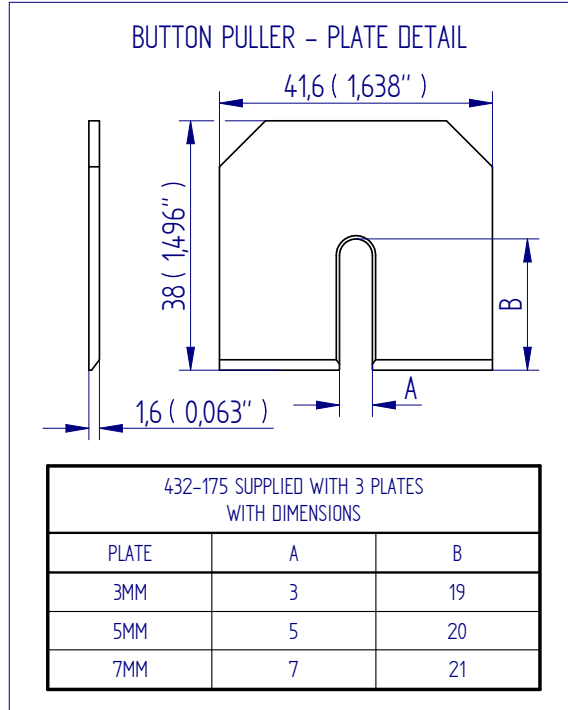
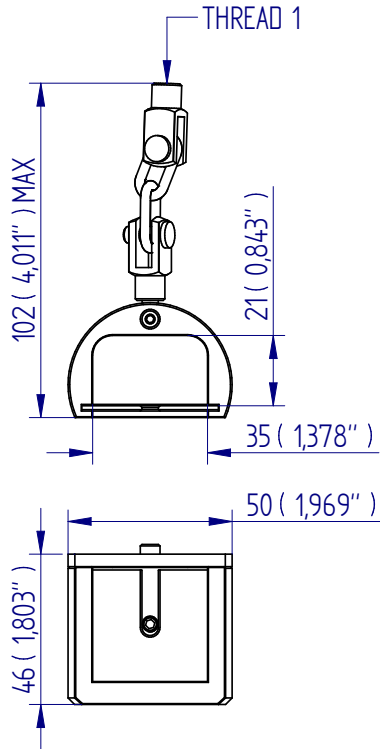
Applications

- buttons

Specifications

Part No.	Load Capacity	Thread 1	Slot Widths	Max Button Ø	Length
432-175	500 N / 50 kgf / 110 lbf	10/32 UNF	3 mm / 5 mm / 7 mm (0.12" / 0.2" / 0.28")	35 mm (1.38")	102 mm (4.01")

Dimensions mm



FS 58553



Mecmesin reserves the right to alter equipment specifications without prior notice.
E&OE

Head Office
Mecmesin Limited

w: www.mecmesin.com
e: sales@mecmesin.com

France
Mecmesin France

w: www.mecmesin.com/fr
e: contact@mecmesin.fr

Germany
Mecmesin GmbH

w: www.mecmesin.com/de
e: info@mecmesin.de

North America
Mecmesin Corporation

w: www.mecmesin.com
e: info@mecmesincorp.com

Asia
Mecmesin Asia Co., Ltd

w: www.mecmesin.com/th
e: sales@mecmesinasia.com

China
Mecmesin (Shanghai) Pte Ltd

w: www.mecmesin.com/zh
e: sales@mecmesin.cn