

Modified Large Wedge Grip



Description

The modified large wedge grip has a shorter body with longer jaws to be able to securely hold S-spring poppers for tensile test-to-failure. As load is applied, the wedge action of the jaws increases the grip on sample.

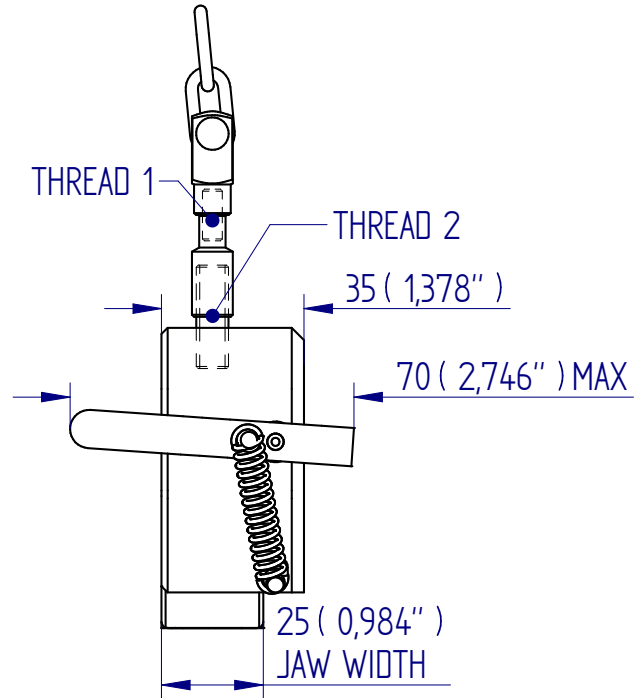
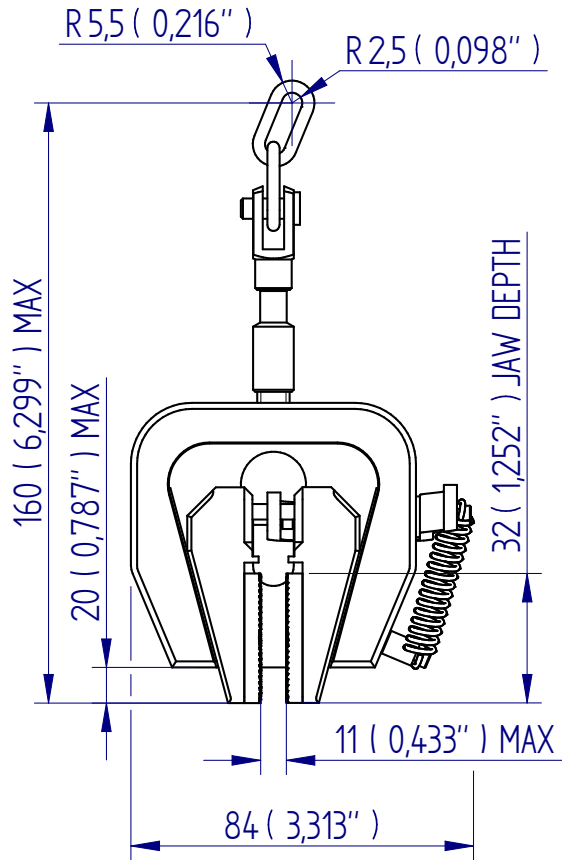
Applications

- poppers
- press studs

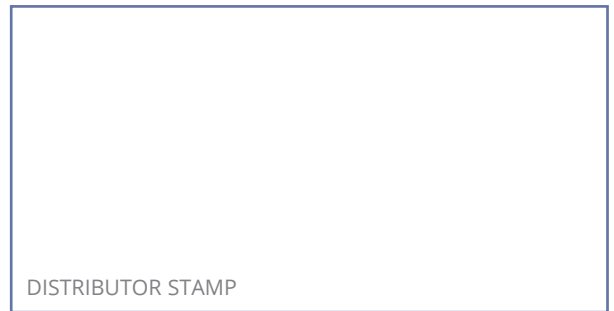
Specifications

Part No.	Load Capacity	Thread 1	Jaw Opening	Jaw Width	Length	Weight
432-212	1 kN / 100 kgf / 225 lbf	10-32 UNF	11 mm (0.43")	25 mm (0.98")	160 mm (6.30")	166 g (0.37 lb)

Dimensions mm (inch)



FS 58553



Mecmesin reserves the right to alter equipment specifications without prior notice.
E&OE

Head Office
Mecmesin Limited

w: www.mecmesin.com
e: sales@mecmesin.com

France
Mecmesin France

w: www.mecmesin.com/fr
e: contact@mecmesin.fr

Germany
Mecmesin GmbH

w: www.mecmesin.com/de
e: info@mecmesin.de

North America
Mecmesin Corporation

w: www.mecmesin.com
e: info@mecmesincorp.com

Asia
Mecmesin Asia Co., Ltd

w: www.mecmesin.com/th
e: sales@mecmesinasia.com

China
Mecmesin (Shanghai) Pte Ltd

w: www.mecmesin.com/zh
e: sales@mecmesin.cn