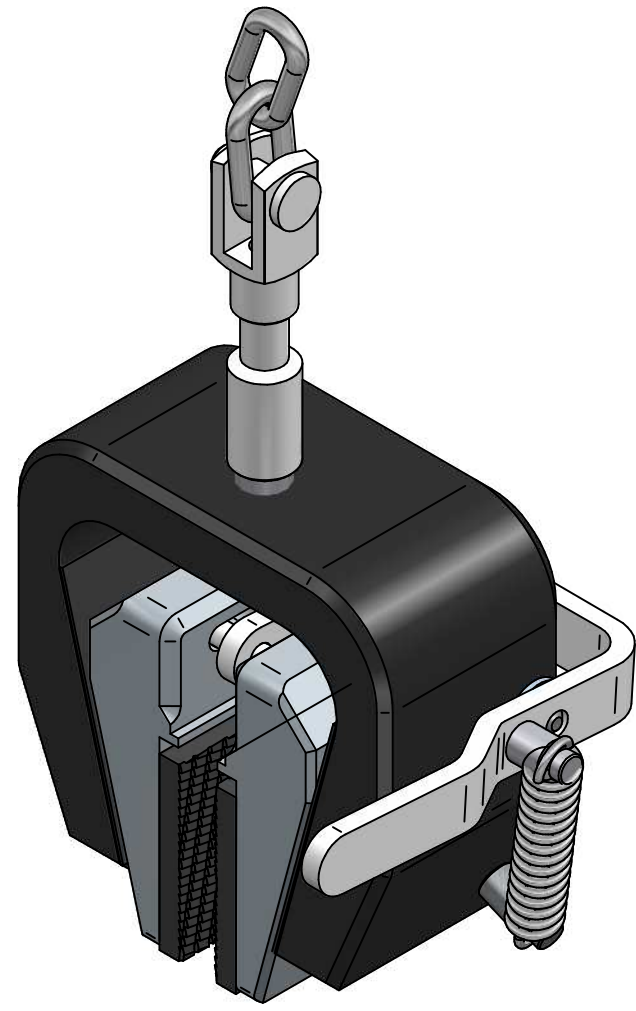
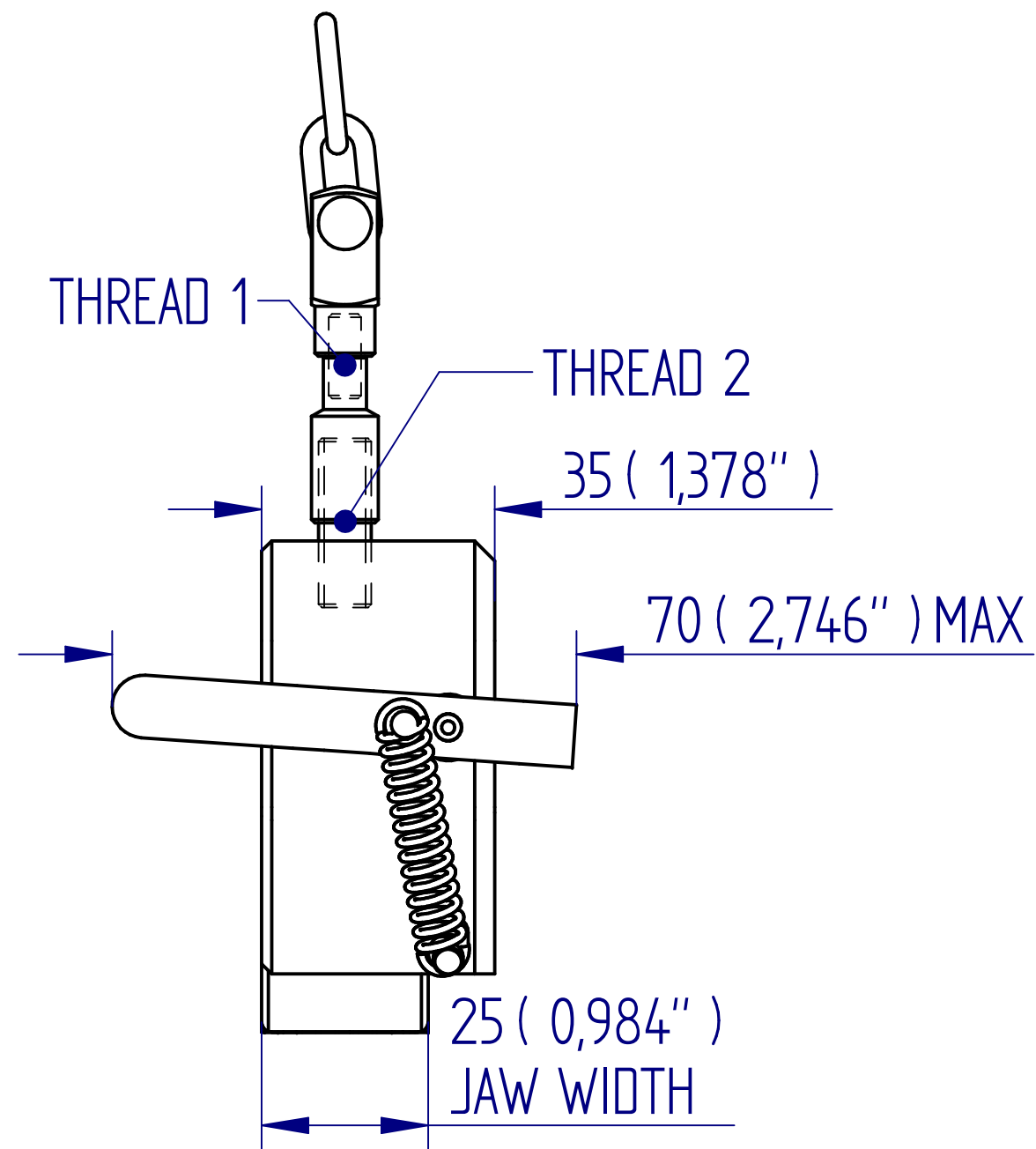
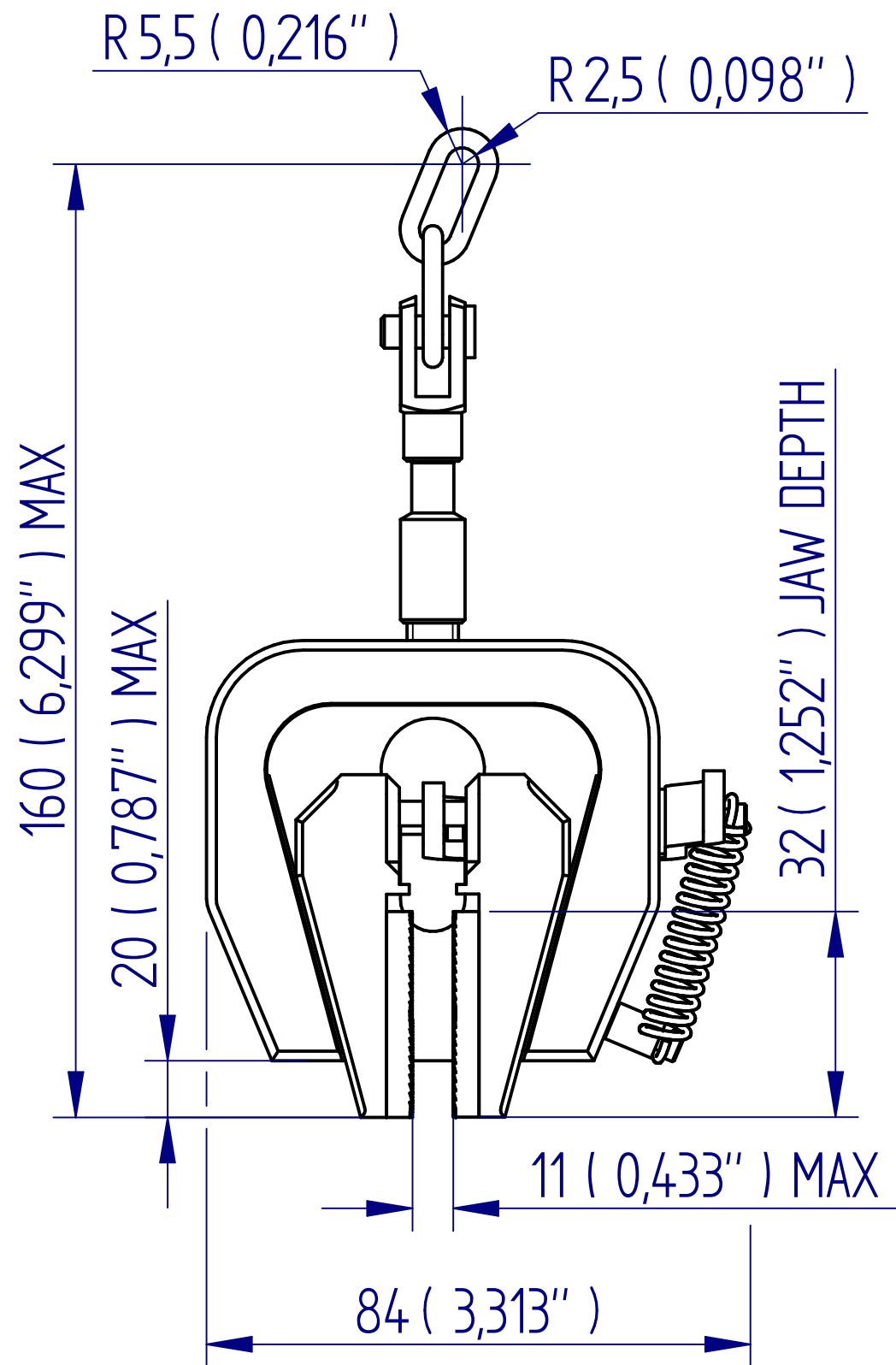


ALL DIMENSIONS ARE IN MILLIMETRES  
FOLLOWED BY INCHES: MM ( IN" )



432-212 Wedge Grip for S-Poppers

1:1 @ A3

