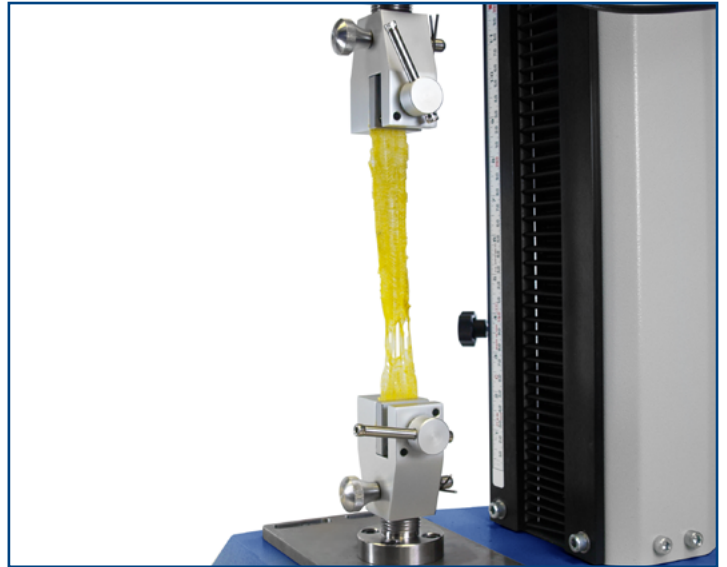
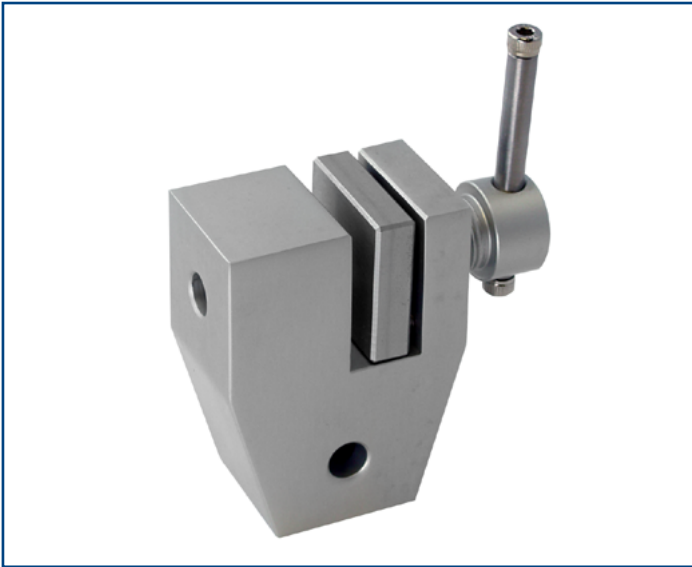


Small Single-action Vice Grip, QC fitting



Description

Small single-action vice grips are ideal for testing low force applications on flat specimens. These general purpose side loading vice grips are fitted with 30 mm x 30 mm (1.2" x 1.2") flat faced jaws.

Supplied individually.

Applications

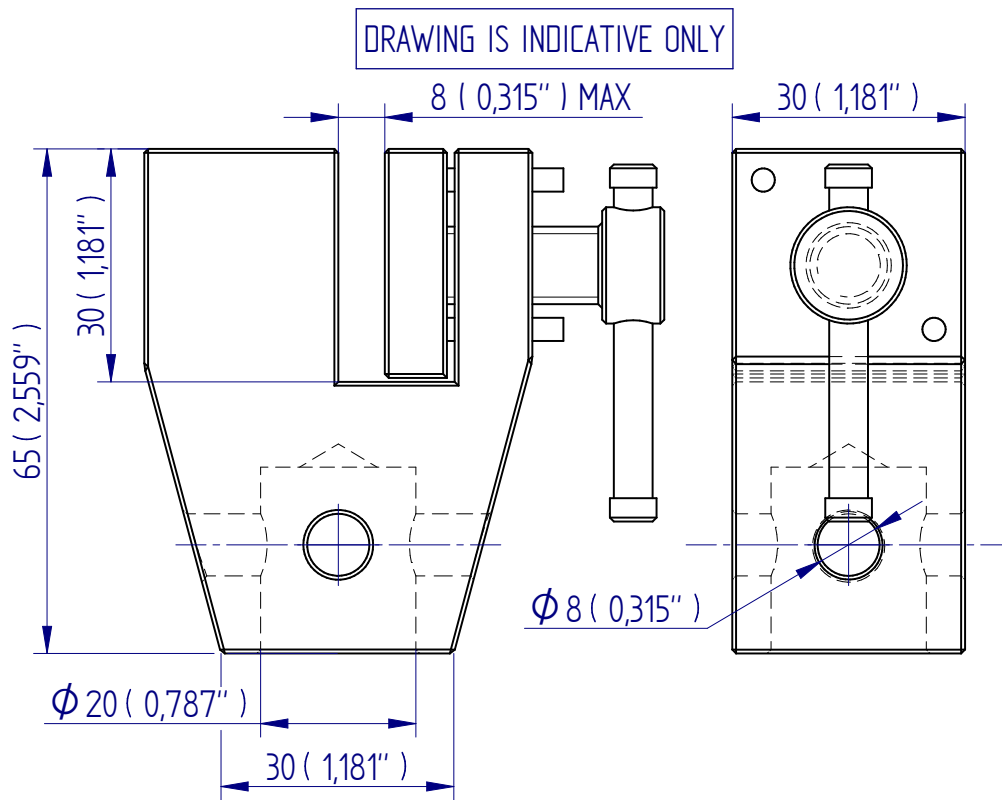
Used for tensile and peel testing of:

- films
- rubber
- flexible sheet materials
- woven fabrics
- tape
- paper
- tissue
- laminates
- textiles

Specifications

Part No.	Load Capacity	Post Ø	Jaw Opening	Jaw Dimensions (H x W)	Height	Weight
432-264	200 N / 20 kgf / 45 lbf	QC-20	0 - 8 mm (0 - 0.32")	30 x 30 mm (1.18" x 1.18")	65 mm (2.56")	215 g (0.47 lb)

Dimensions mm (inch)



For more information on QC fittings, refer to datasheet 431-354
Adapters for QC range of grips.



FS 58553

DISTRIBUTOR STAMP

Mecmesin reserves the right to alter equipment specifications without prior notice.
E&OE

Head Office
Mecmesin Limited

w: www.mecmesin.com
e: sales@mecmesin.com

France
Mecmesin France

w: www.mecmesin.com/fr
e: contact@mecmesin.fr

Germany
Mecmesin GmbH

w: www.mecmesin.com/de
e: info@mecmesin.de

North America
Mecmesin Corporation

w: www.mecmesin.com
e: info@mecmesincorp.com

Asia
Mecmesin Asia Co., Ltd

w: www.mecmesin.com/th
e: sales@mecmesinasia.com

China
Mecmesin (Shanghai) Pte Ltd

w: www.mecmesin.com/zh
e: sales@mecmesin.cn