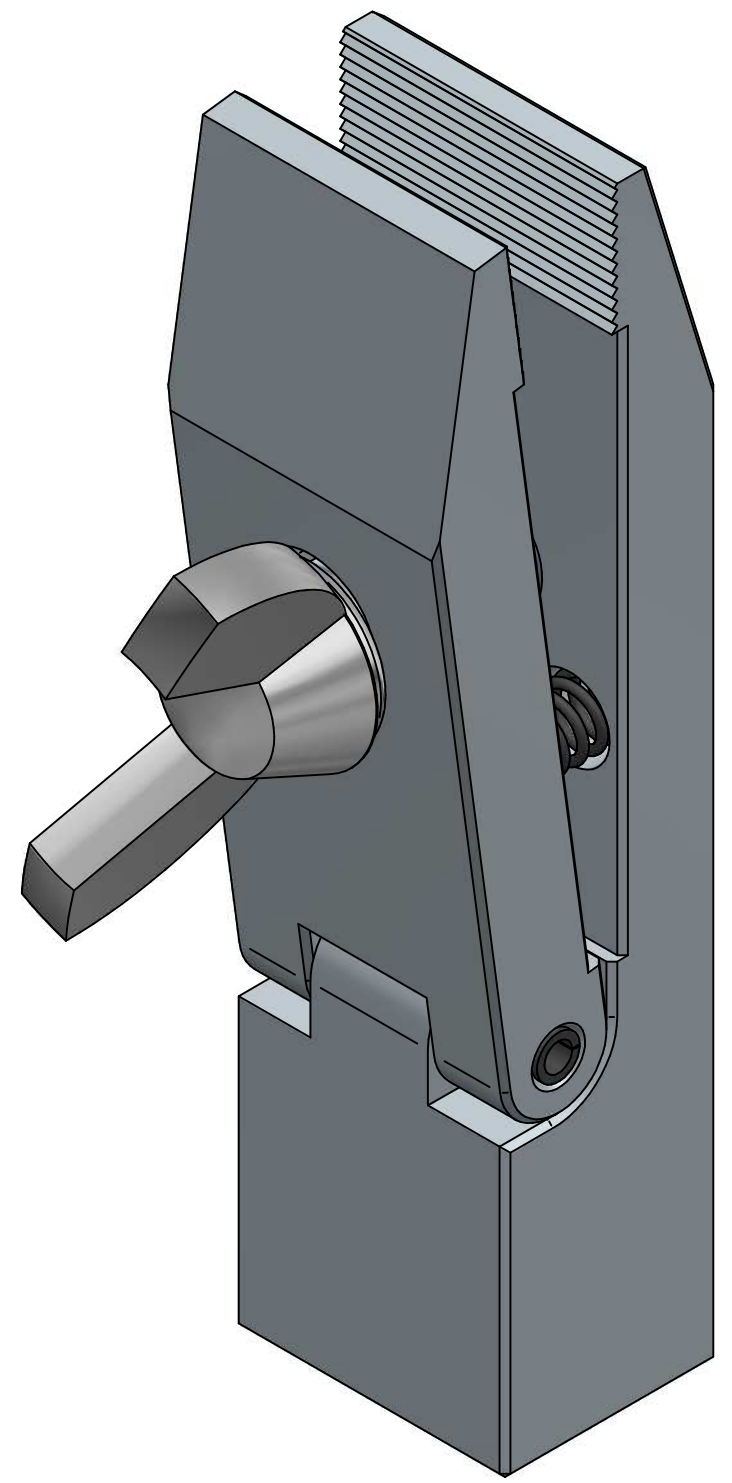
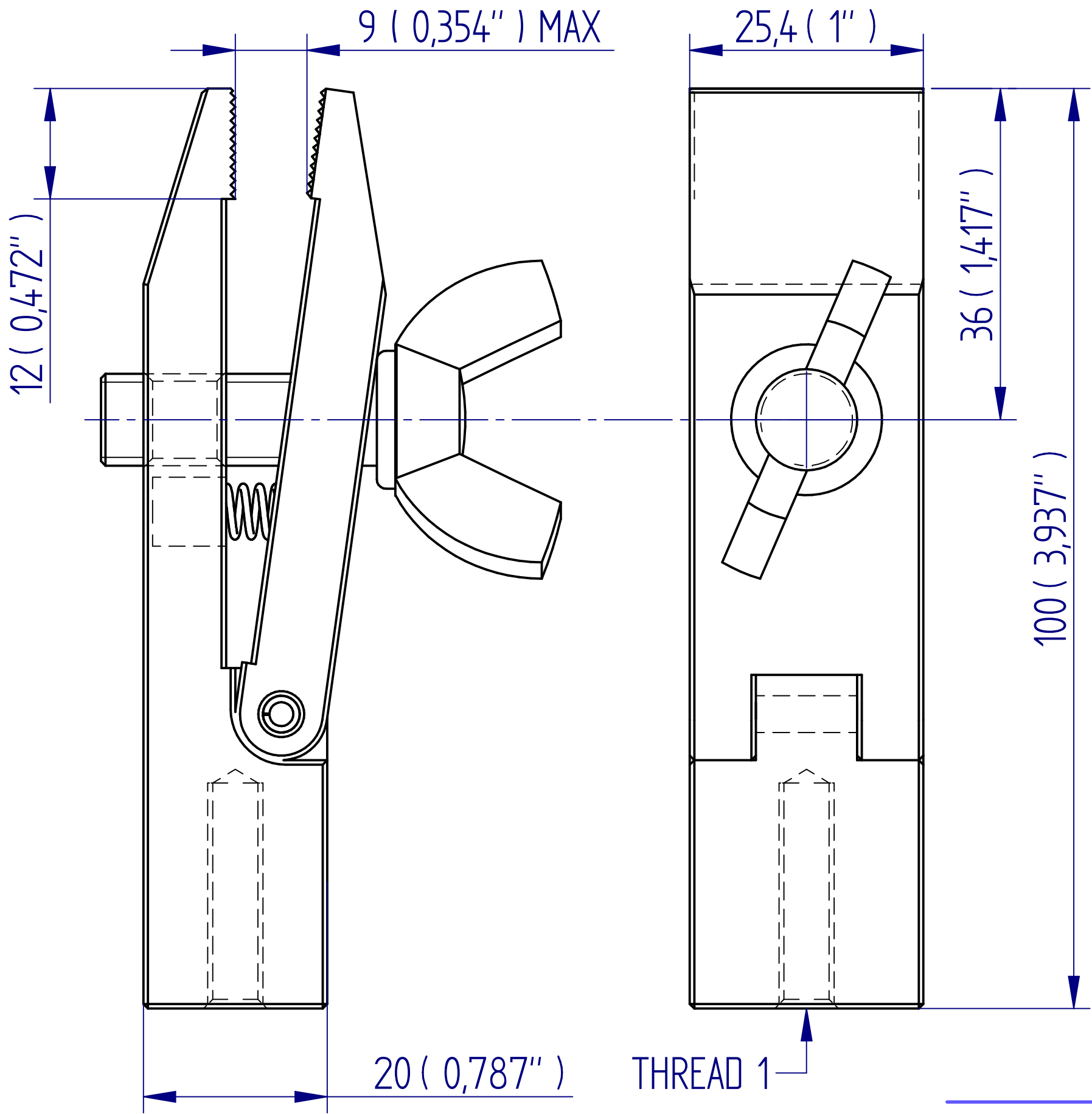


ALL DIMENSIONS ARE IN MILLIMETRES  
FOLLOWED BY INCHES: MM ( IN" )

DRAWING IS INDICATIVE ONLY



432-278 Large Pinch Grip

2:1 @ A3

**Mecmesin**  
testing to perfection