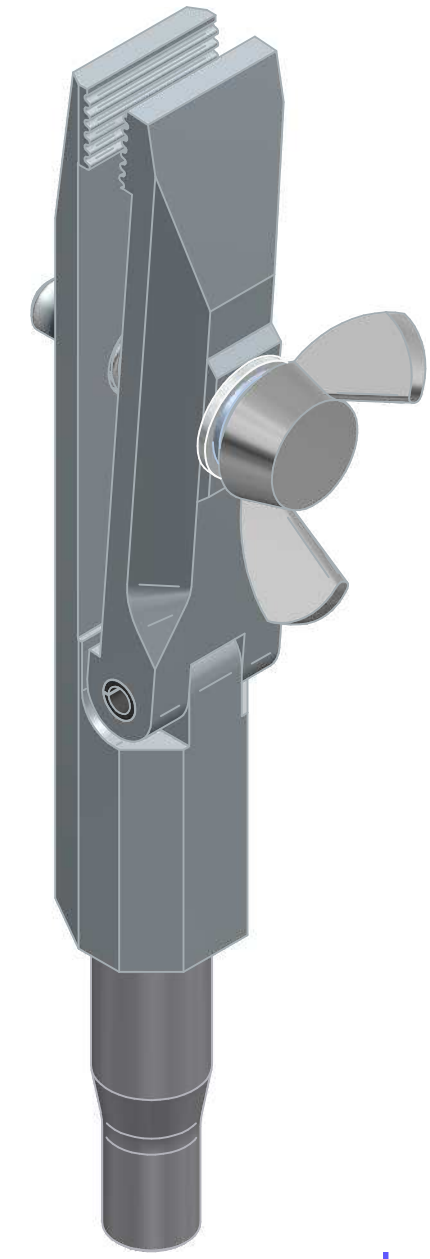
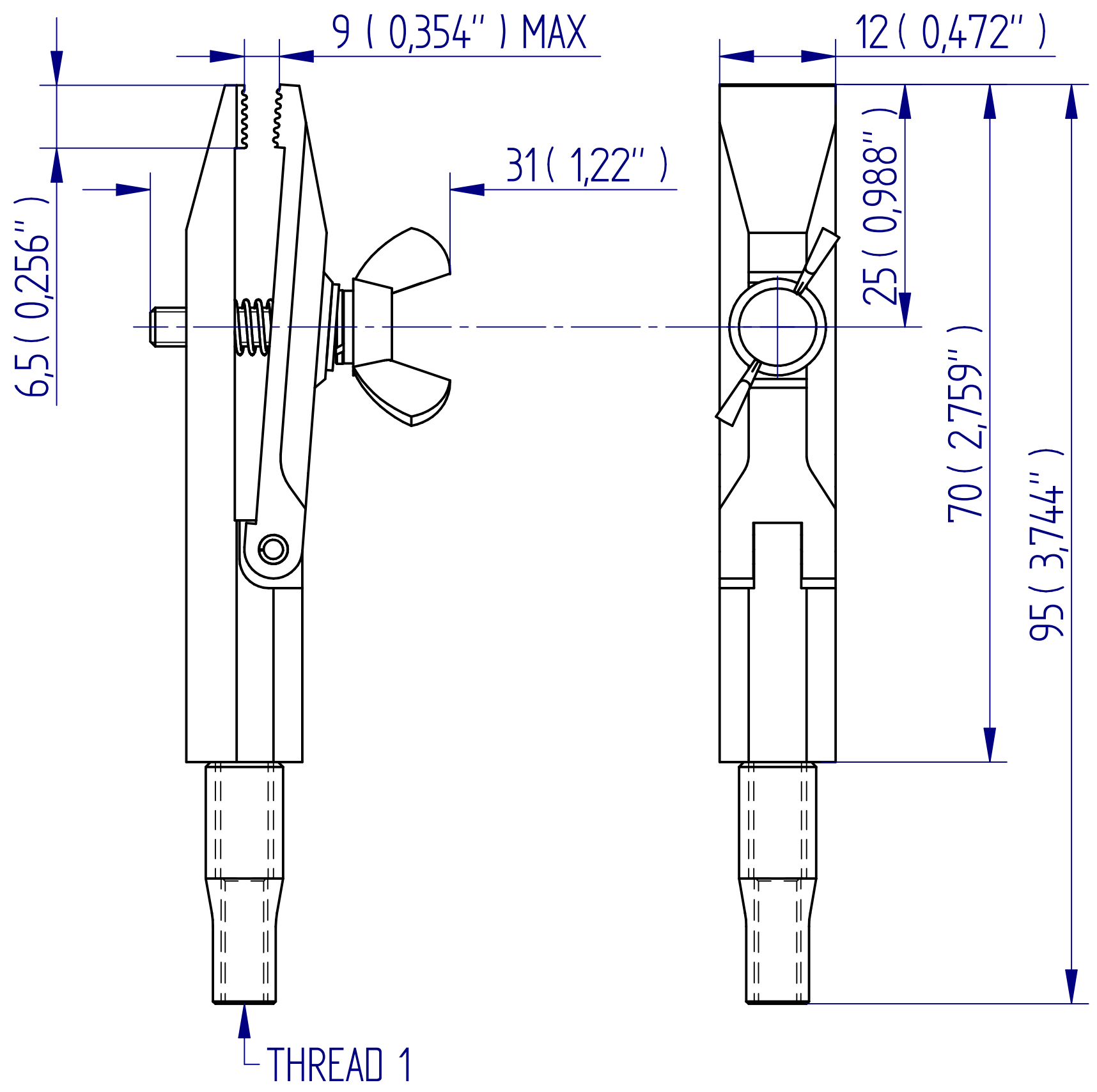


ALL DIMENSIONS ARE IN MILLIMETRES  
FOLLOWED BY INCHES: MM ( IN" )



432-280 Pinch Grip GR-K03B

2:1 @ A3

