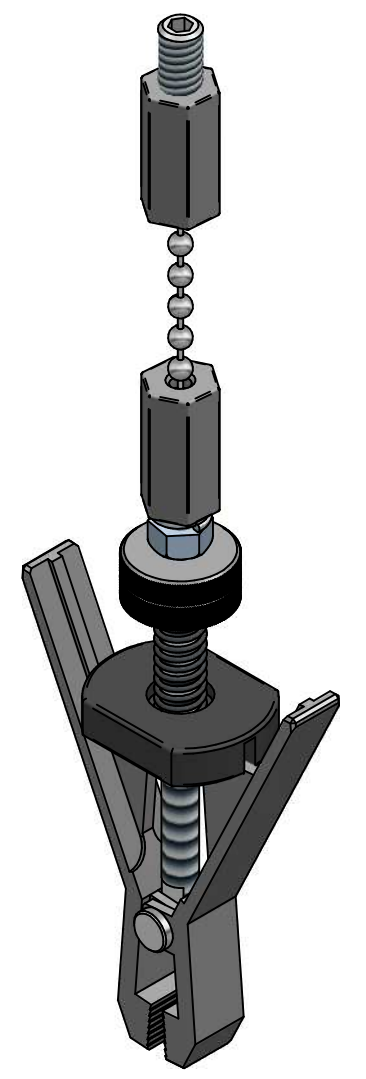
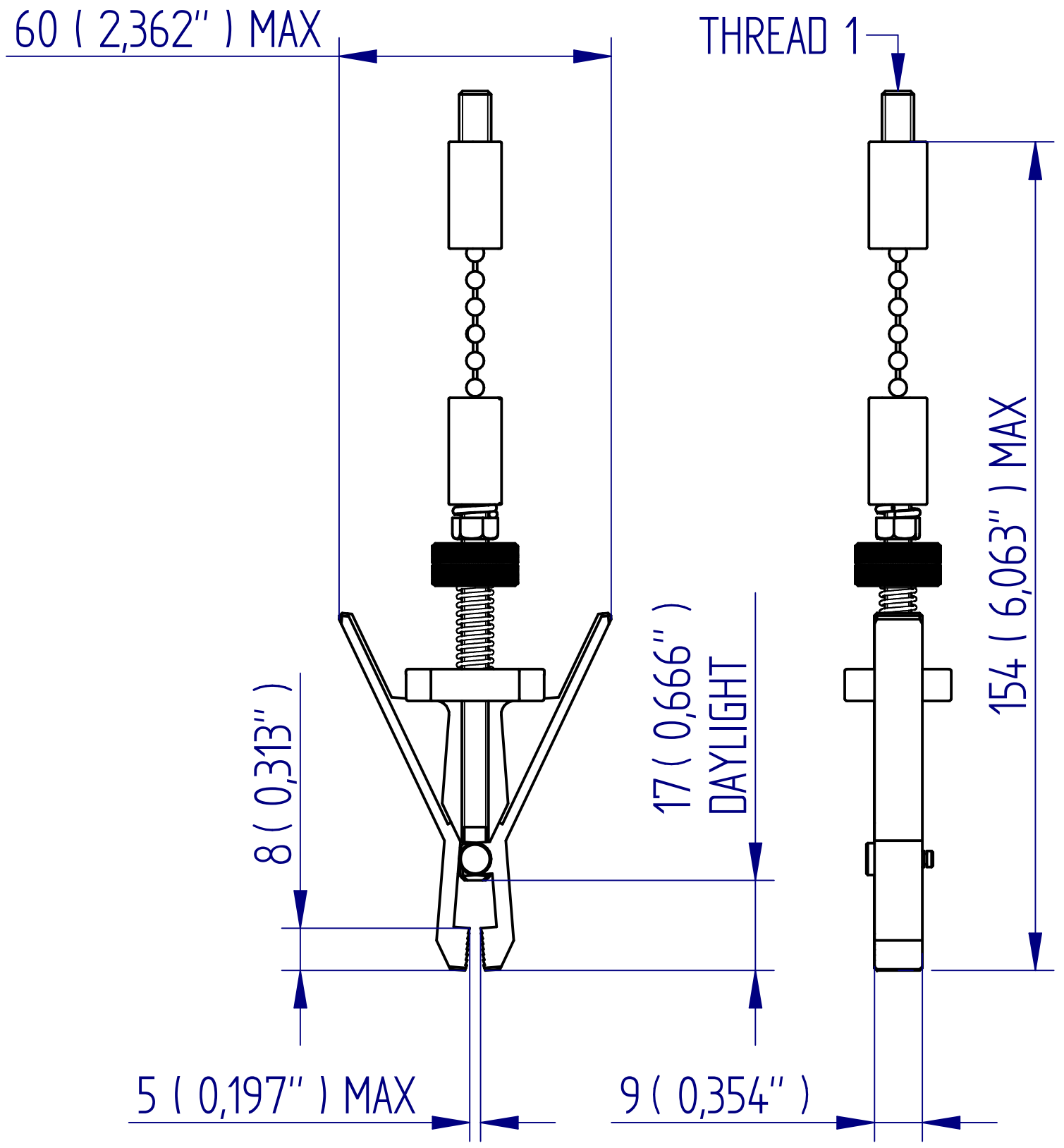


ALL DIMENSIONS ARE IN MILLIMETRES  
FOLLOWED BY INCHES: MM ( IN" )



432-281 Lightweight Mini Vice Grip

1:1 @ A3

