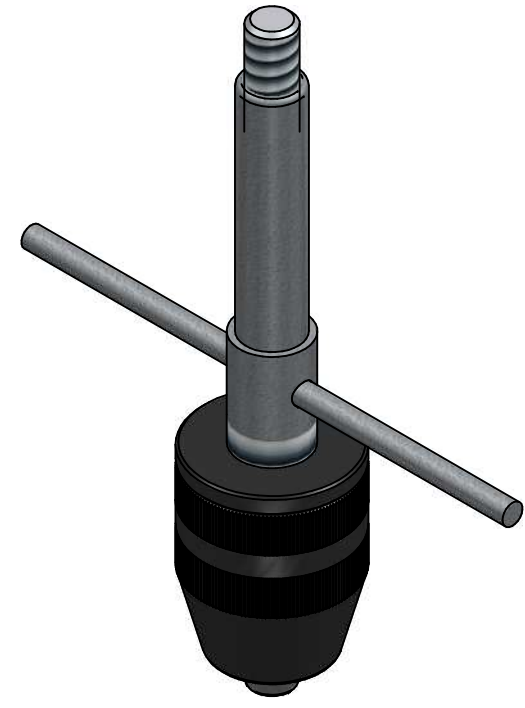
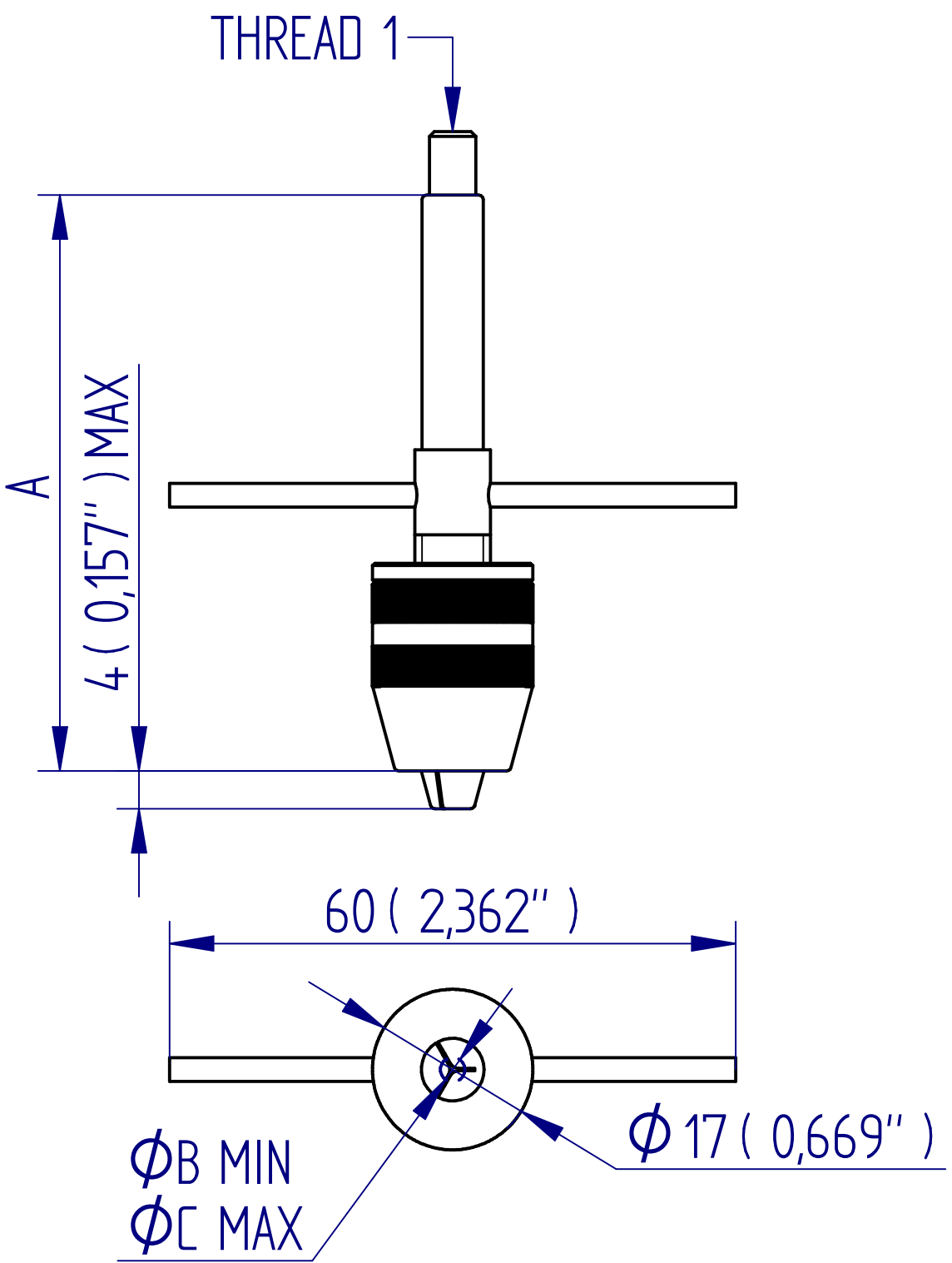


ALL DIMENSIONS ARE IN MILLIMETRES
FOLLOWED BY INCHES: MM (IN")



432-XXX Pin Chuck

DRAWING APPLIES TO PT NO:
432-214 & 432-382

1:1 @ A3

