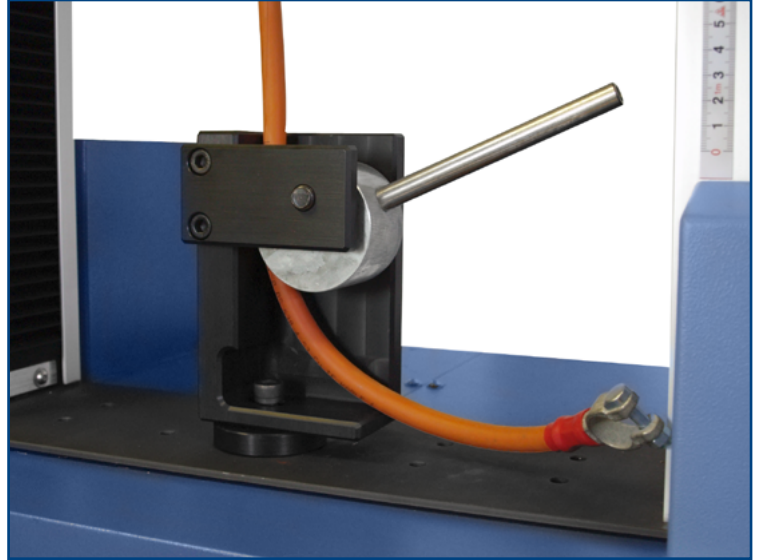


Cable Cam Grips



Description

Cable cam grips are designed for holding insulated cables and wire. The sample is secured by the cam, which self-tightens as load is applied and spreads the load evenly. Serrated or smooth cam. Supplied with socket-cap bolt for stand fixing.

Supplied individually.

Applications

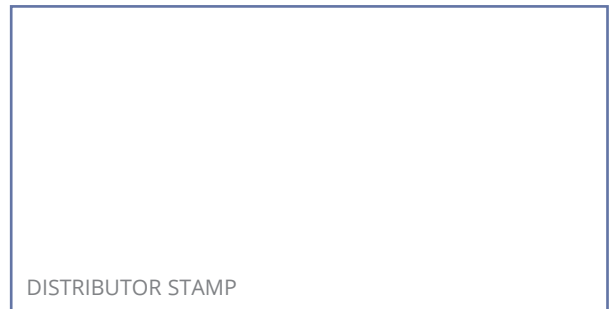
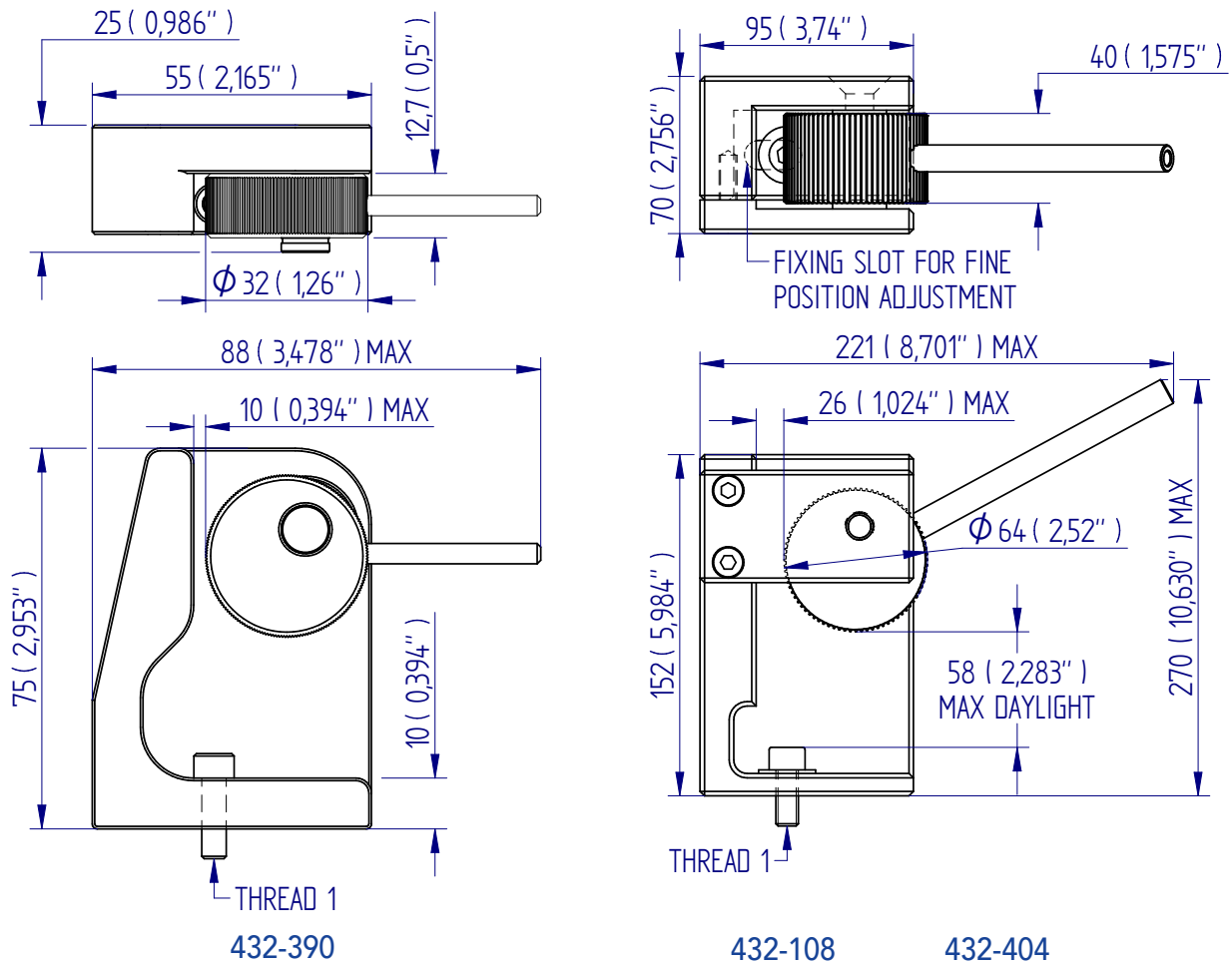
Used for general purpose tensile testing of:

- crimped terminals
- tapes
- foils
- wires

Specifications

Part No.	Load Capacity	Thread 1	Type	Max. Sample Width	Max. Samplet hickness	Length	Weight
432-390	1 kN / 100 kgf / 225 lbf	10-32 UNF	Serrated	13 mm (0.51")	10 mm (0.39")	75 mm (2.95")	230 g (0.51 lb)
432-404	1 kN / 100 kgf / 225 lbf	10-32 UNF	Smooth	13 mm (0.51")	10 mm (0.39")	75 mm (2.95")	230 g (0.51 lb)
432-108	5 kN / 500 kgf / 1100 lbf	M10	Serrated	40 mm (1.57")	26 mm (1.02")	152 mm (5.98")	2.3 kg (5.10 lb)

Dimensions mm (inch)



Mecmesin reserves the right to alter equipment specifications without prior notice.
E&OE

Head Office
Mecmesin Limited

w: www.mecmesin.com
e: sales@mecmesin.com

North America
Mecmesin Corporation

w: www.mecmesin.com
e: info@mecmesincorp.com

France
Mecmesin France

w: www.mecmesin.com/fr
e: contact@mecmesin.fr

Asia
Mecmesin Asia Co., Ltd

w: www.mecmesin.com/th
e: sales@mecmesinasia.com

Germany
Mecmesin GmbH

w: www.mecmesin.com/de
e: info@mecmesin.de

China
Mecmesin (Shanghai) Pte Ltd

w: www.mecmesin.com/zh
e: sales@mecmesin.cn