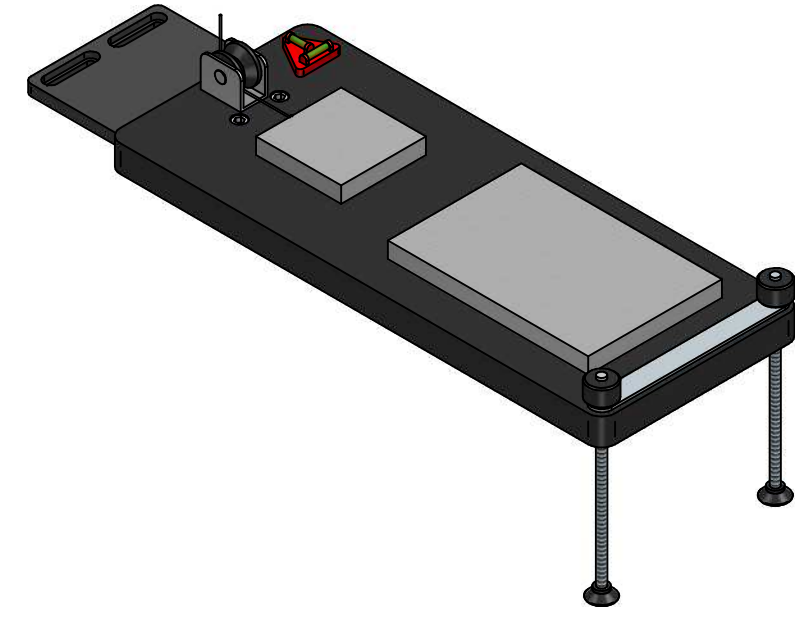
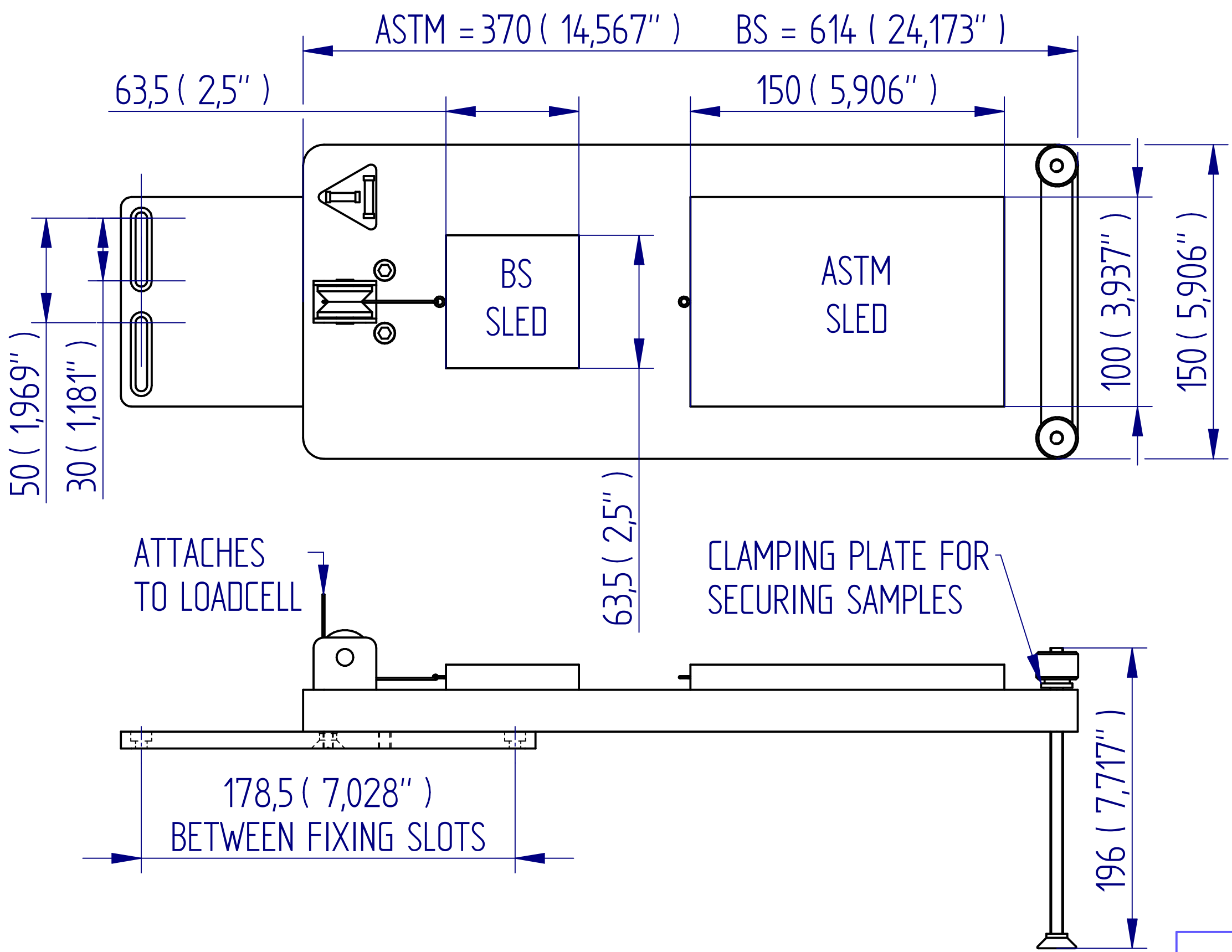


ALL DIMENSIONS ARE IN MILLIMETRES
FOLLOWED BY INCHES: MM (IN")

DRAWING IS INDICATIVE ONLY



DRAWING APPLIES TO PT NO:
432-144 & 432-145

432-144 & 432-145
CoF Table BS and ASTM -ILLUSTRATIVE ONLY

1:2 @ A3