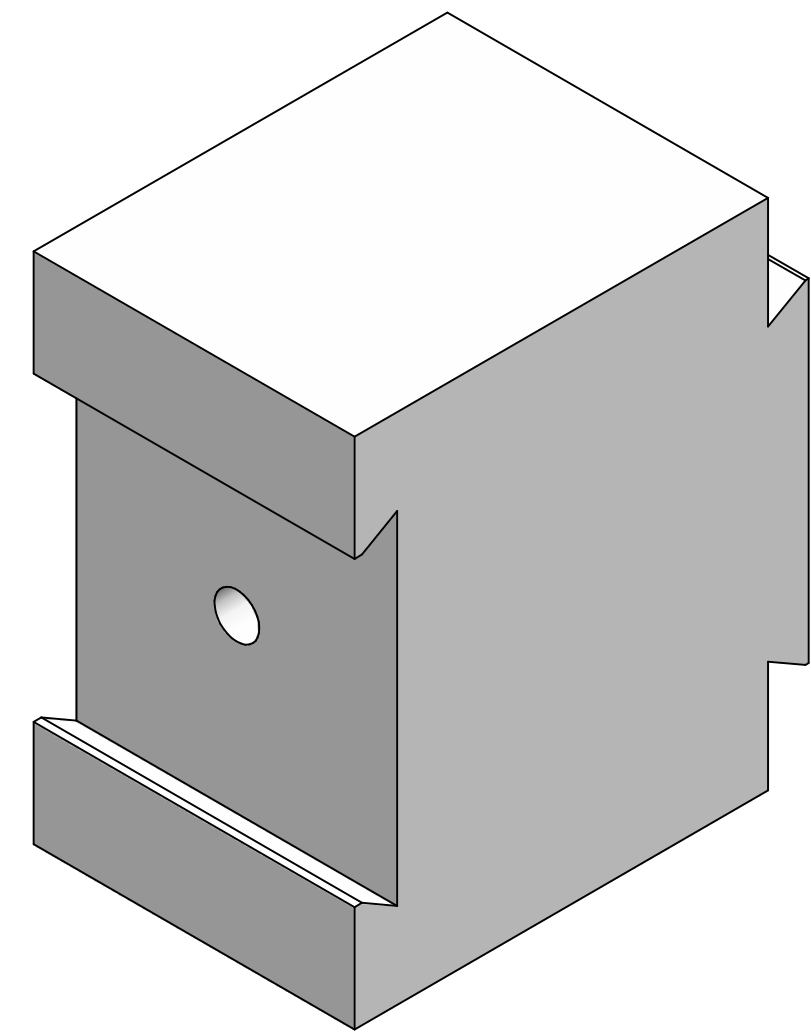
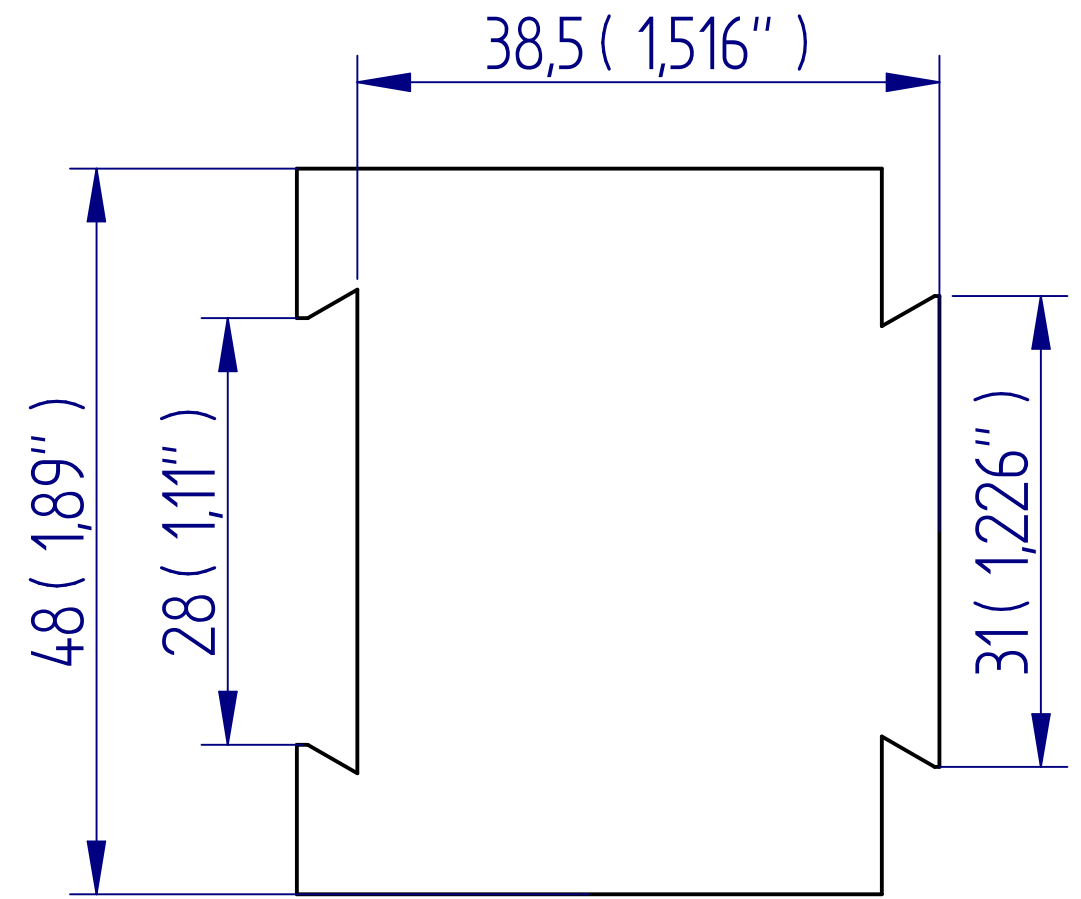
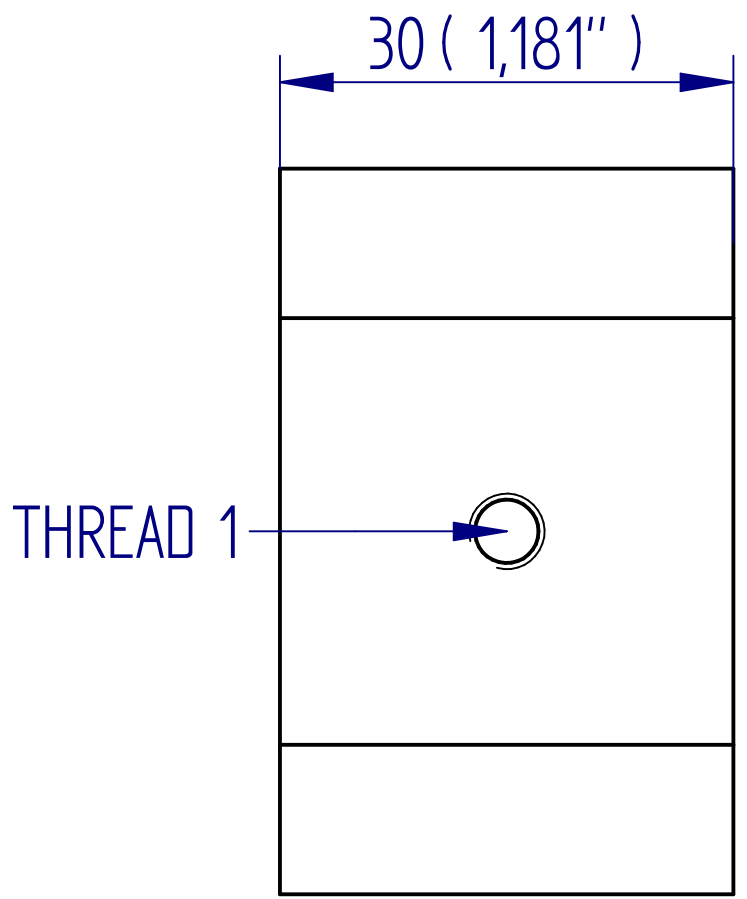


ALL DIMENSIONS ARE IN MILLIMETRES
FOLLOWED BY INCHES: MM (IN")



2:1 @ A3

PDV6028-01 38.5mm Crosshead Extension

Mecmesin
testing to perfection