

# ValuTest-L

## Manual Test Stand

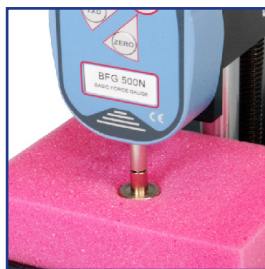
- 110 lbf (500 N) capacity
- easy-to-use
- quick-acting lever
- economical solution
- compact and portable
- rugged and reliable



Shown with CFG+ digital force gauge  
(Can also be supplied with BFG digital force gauge)



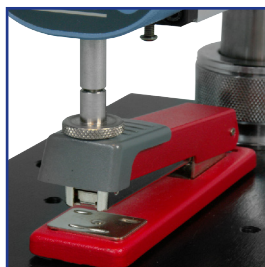
Tensile testing



Compressive testing



Aerosol actuation



Tool testing

The ValuTest-L, combined with a Mecmesin Basic Force Gauge (BFG) or Compact Force Gauge<sup>+</sup> (CFG<sup>+</sup>), is a simple and low cost solution for repetitive tensile and compressive testing in the production area or in laboratories. It is ideal for simple pull-off tests, push-in and push-out tests where quick comparative checks are required.

It is an accurate, precise and dependable instrument for use when simplicity, economy and fast throughput are important.

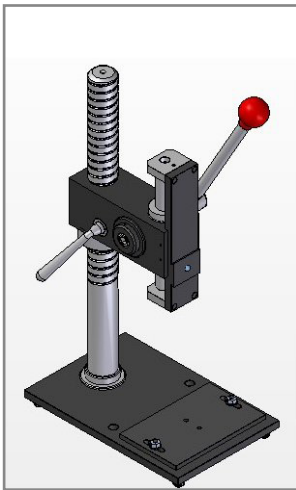
The ValuTest-L is very easy-to-use by virtue of its quick-acting lever. Crosshead movement can be limited by an adjustable stop to ensure it travels to the same position for each test.

versatile  
economical  
easy-to-use

# Mecmesin

testing to perfection

## Stand / Force Gauge Combinations



ValuTest-L

+



Basic Force Gauge (BFG)

+



BFG Bracket

or

+



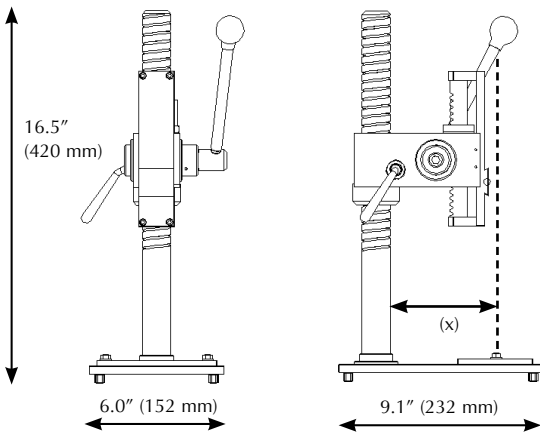
Compact Force Gauge (CFG+)

+



CFG+ Bracket

## Dimensions



## Specifications

|   |                        |
|---|------------------------|
| Daylight with BFG without accessories         | 13.1" (332 mm)         |
| Daylight with CFG+ without accessories        | 13.9" (352 mm)         |
| Effective travel without gage and accessories | 6.7" (170 mm)          |
| Maximum stroke                                | 1.9" (47 mm)           |
| Maximum load                                  | 110 lbf, 500 N, 50 kgf |
| Weight  | 20 lbs (9.2 kg)        |
| Throat depth with BFG fitted (x)              | 5.3" (133.5 mm)        |
| Throat depth with CFG+ fitted (x)             | 5.0" (126 mm)          |



FS 58553

Mecmesin reserves the right to alter equipment specifications without prior notice.  
E&OE

DISTRIBUTOR STAMP

**Head Office - UK**  
Mecmesin Limited

w: [www.mecmesin.com](http://www.mecmesin.com)  
e: [sales@mecmesin.com](mailto:sales@mecmesin.com)

**North America**  
Mecmesin Corporation

w: [www.mecmesincorp.com](http://www.mecmesincorp.com)  
e: [info@mecmesincorp.com](mailto:info@mecmesincorp.com)

**France**  
Mecmesin France

w: [www.mecmesin.fr](http://www.mecmesin.fr)  
e: [contact@mecmesin.fr](mailto:contact@mecmesin.fr)

**Asia**  
Mecmesin Asia Co., Ltd

w: [www.mecmesinasia.com](http://www.mecmesinasia.com)  
e: [sales@mecmesinasia.com](mailto:sales@mecmesinasia.com)

**Germany**  
Mecmesin GmbH

w: [www.mecmesin.de](http://www.mecmesin.de)  
e: [info@mecmesin.de](mailto:info@mecmesin.de)

**China**  
Mecmesin (Shanghai) Pte Ltd

w: [www.mecmesin.cn](http://www.mecmesin.cn)  
e: [sales@mecmesin.cn](mailto:sales@mecmesin.cn)