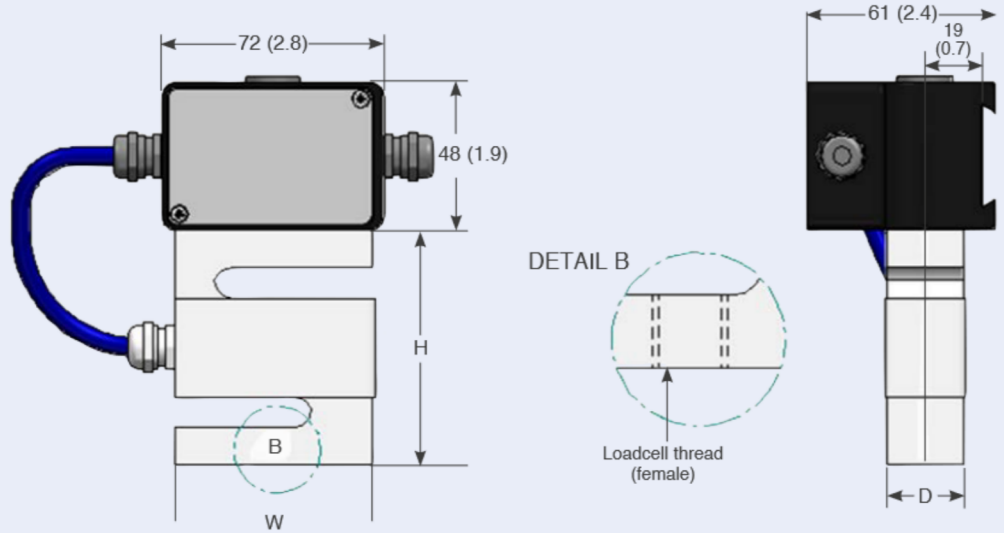


MultiTest 5-i

Intelligent Loadcell ILC-S



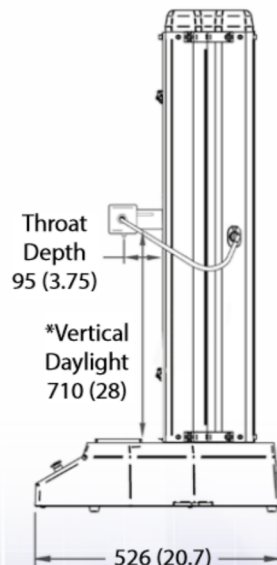
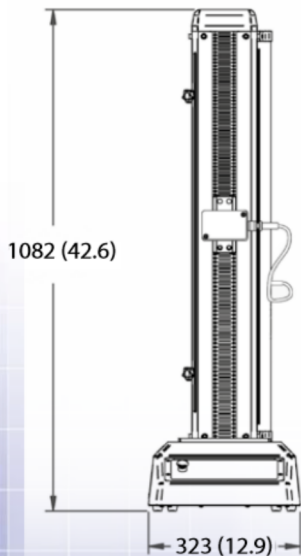
NOTE: Compatible with all test stands of equal or higher capacity than loadcell
Requires adaptor 432-256 to fit to MultiTest 10-i, 25-i and 50-i



| ILC-S capacity | Part No. | Thread | Overall daylight reduction | Loadcell width (W) | Loadcell depth (D) | Loadcell height (H) | Total daylight reduction using twin-column dovetail (432-256) |
|----------------|----------|------------|----------------------------|--------------------|--------------------|---------------------|---|
| 100 N | 879-064 | M6 x 1 | 70 (2.7) | 51 (2) | 13 (0.5) | 64 (2.5) | 154 (6) |
| 200 N | 879-065 | M6 x 1 | 70 (2.7) | 51 (2) | 13 (0.5) | 64 (2.5) | 154 (6) |
| 500 N | 879-066 | M6 x 1 | 82 (3.2) | 51 (2) | 19 (0.7) | 76 (2.9) | 166 (6.5) |
| 1000 N | 879-067 | M10 x 1.5 | 82 (3.2) | 51 (2) | 19 (0.7) | 76 (2.9) | 166 (6.5) |
| 2500 N | 879-008 | M12 x 1.75 | 82 (3.2) | 51 (2) | 25 (1) | 76 (2.9) | 166 (6.5) |
| 5000 N | 879-024 | M12 x 1.75 | 82 (3.2) | 51 (2) | 25 (1) | 76 (2.9) | 166 (6.5) |

All measurements are in millimetres and (inches)

* measured without loadcell or grips



ILC-S Load Measurement Accuracy

| % of full scale (fs) | N |
|----------------------|----------------|
| ± 0.1% fs | 100 N - 2500 N |
| ± 0.2% fs | 5000 N |