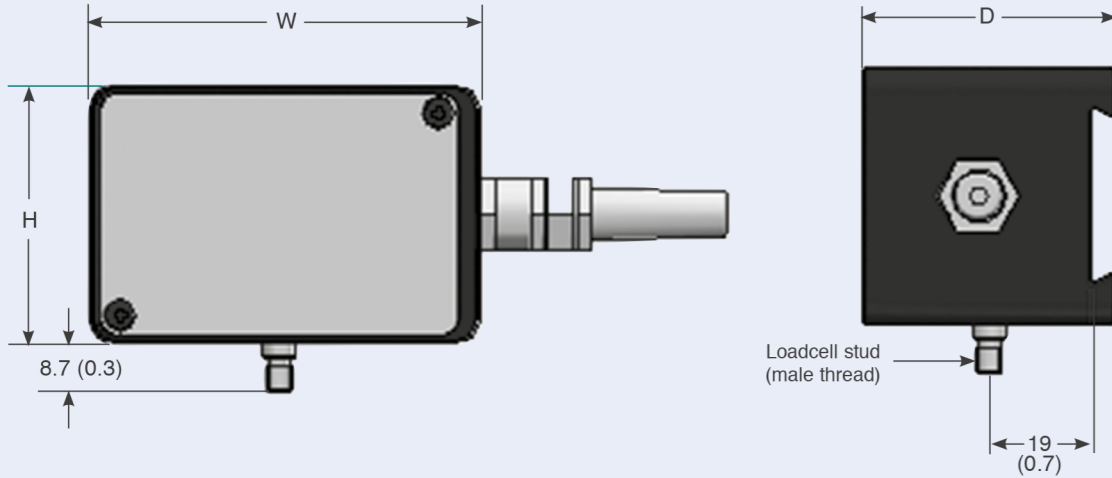


Intelligent Loadcell ILC



NOTE: Compatible with all test stands of equal or higher capacity than loadcell.
Requires adaptor 432-256 to fit to MultiTest 10-*i*, 25-*i* and 50-*i*.

All measurements are in millimetres and (inches)

ILC capacity	Part No.	Thread	Overall daylight reduction	Loadcell width (W)	Loadcell depth (D)	Loadcell height (H)	Total daylight reduction using twin-column dovetail (432-256)
2 N	879-009	#10-32UNF	15 (0.6)	72 (2.8)	46.5 (1.8)	48 (1.9)	99 (3.9)
5 N	879-010	#10-32UNF	15 (0.6)	72 (2.8)	46.5 (1.8)	48 (1.9)	99 (3.9)
10 N	879-001	#10-32UNF	15 (0.6)	72 (2.8)	46.5 (1.8)	48 (1.9)	99 (3.9)
25 N	879-002	#10-32UNF	15 (0.6)	72 (2.8)	46.5 (1.8)	48 (1.9)	99 (3.9)
50 N	879-003	#10-32UNF	15 (0.6)	72 (2.8)	46.5 (1.8)	48 (1.9)	99 (3.9)
100 N	879-004	#10-32UNF	15 (0.6)	72 (2.8)	46.5 (1.8)	48 (1.9)	99 (3.9)
250 N	879-005	#10-32UNF	15 (0.6)	72 (2.8)	46.5 (1.8)	48 (1.9)	99 (3.9)
500 N	879-006	#10-32UNF	15 (0.6)	72 (2.8)	46.5 (1.8)	48 (1.9)	99 (3.9)

See page 3 for ILC-S loadcells (100 N to 5000 N)

ILC Load Measurement Accuracy

% of full scale (fs)	N
± 0.1% fs	2 N - 500 N