

Scissor Grips, QC fitting

Scissor Grips 5, 20 and 50 kN

Self-tightening and self-aligning grips

The initial gripping force to prevent the specimen from slipping when initially inserted is provided by spring tension. The ratio of clamping force to tensile force changes according to the opening width. The larger the opening width the stronger the grips tightens the specimen. The jaws then tighten themselves during force application to ensure the specimen can be pulled to break. Most commonly used for testing high-ductile plastics and elastomers.

Mec11-5 Scissor Grip (5 kN)

Ordering information

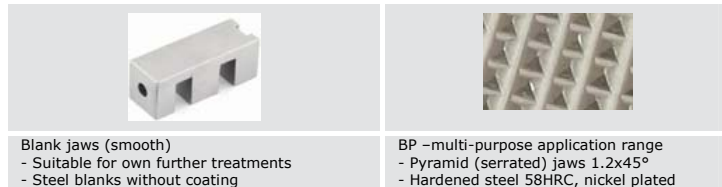
Mec11-5 grips are supplied individually, not as a pair. Mec11-5 grips are supplied with bore-hole to allow connection to QC-20 fixing post

• Item No.	Mec11-5
• Tensile force	5 kN
• Opening	0 – 19 mm
• Sample width	50 mm
• Body	Stainless steel
• Weight	980 gram (without jaws)

Jaws for Mec11-5: Scope of delivery 0.5 set = 2 jaws (left and right)

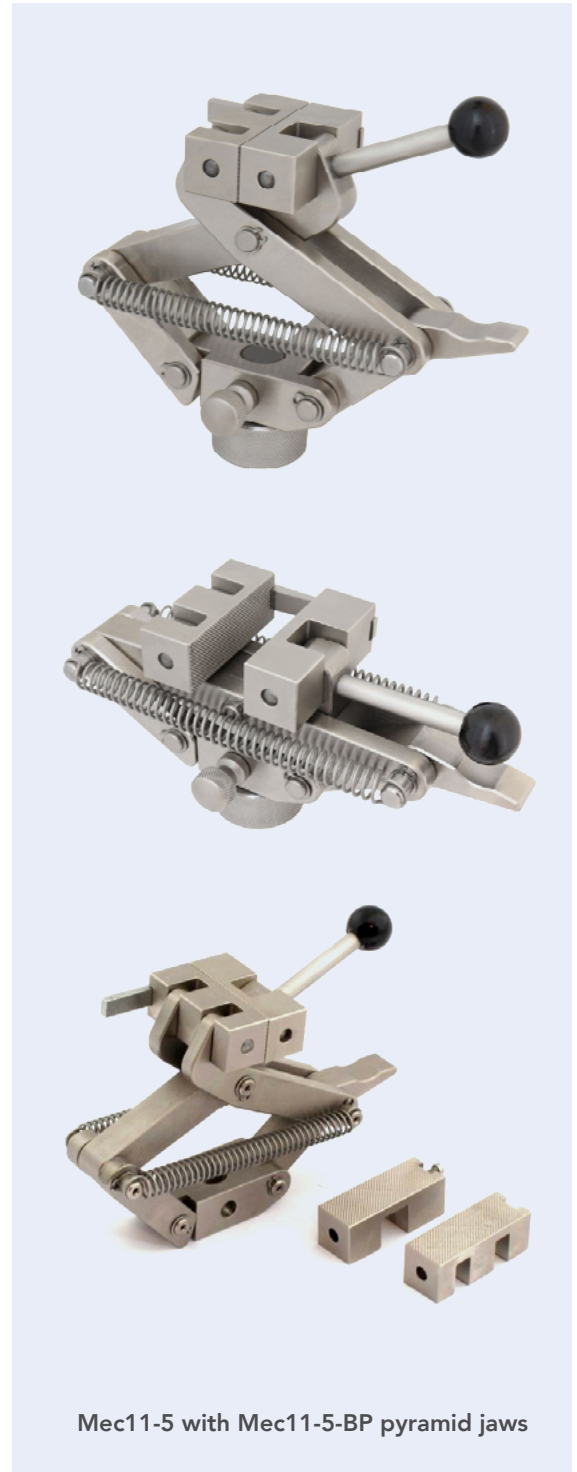
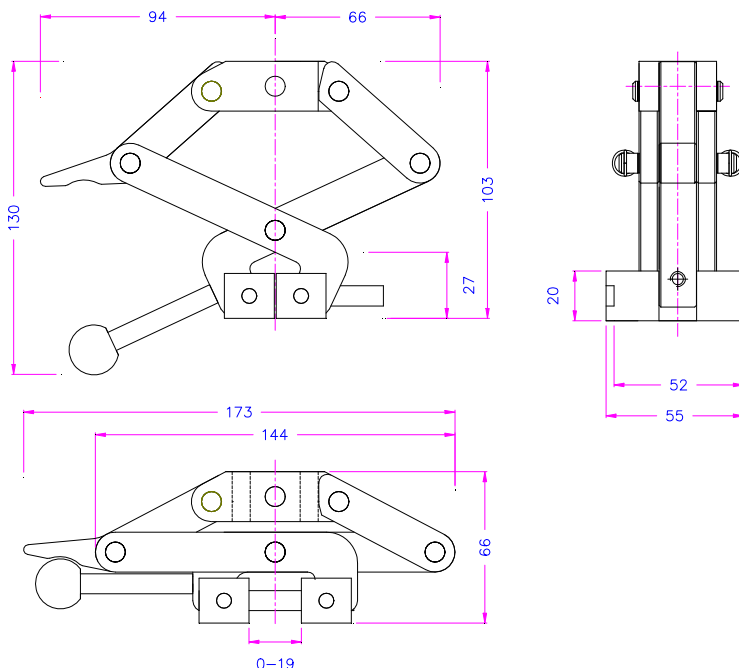
Item number	Surface	Clamping surface H x W	Weight per 0.5 set
Mec11-5-B	Blank (smooth) jaws	20x50 mm	240 gram
Mec11-5-BP	Pyramid (serrated) jaws	20x50 mm	240 gram

Other surfaces on request



Blank jaws (smooth)
- Suitable for own further treatments
- Steel blanks without coating

BP –multi-purpose application range
- Pyramid (serrated) jaws 1.2x45°
- Hardened steel 58HRC, nickel plated



Mec11-5 with Mec11-5-BP pyramid jaws

Mec11-20 Scissor Grip (20 kN)

With locking function (snap in): the grip locks in the opened position.
(Not functional when using round jaws type - BR)

Ordering information

Mec11-20 grips are supplied individually, not as a pair.
Mec11-20 grips are supplied with bore-hole to allow connection to QC-20 fixing post

• Item No.	Mec11-20
• Tensile force	20 kN
• Opening	Flat jaws 0 – 25 mm Round jaws 0 – 20 mm V-jaws for round specimen: 4 – 16 mm Ø
• Sample width	50 mm and 100 mm
• Body	Stainless steel
• Weight	2 kg (without jaws)



Mec11-20 with Mec11-20-BW100 jaws

Mec11-20 with Mec11-20-BW100 jaws

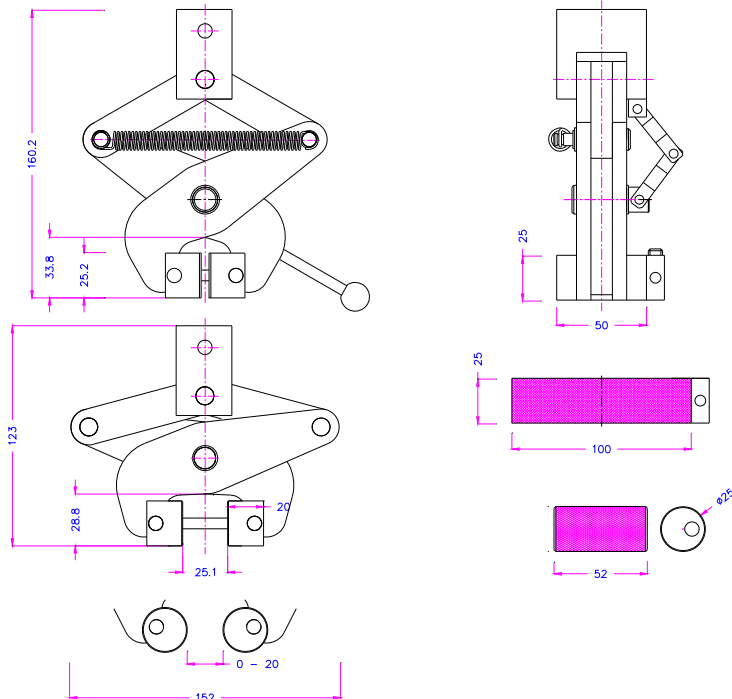
Jaws for Mec11-20: Scope of delivery 0.5 set = 2 jaws (left and right)

Item number	Surface	Clamping surface H x W	Weight per 0.5 set
Mec11-20-B	Blank (smooth) jaws	25x50 mm	0.34 kg
Mec11-20-BP	Pyramid (serrated) flat jaws	25x50 mm	0.33 kg
Mec11-20-BPR*	Pyramid (serrated) round jaws	Ø 25 mm x 52 mm	0.31 kg
Mec11-20-BV	V-jaws for round specimen	Samples 4-15 mm Ø	0.45 kg
Mec11-20-BW	Wave jaws	25x50 mm	0.32 kg
Mec11-20-B100**	Blank (smooth) jaws	25x 100 mm	0.74 kg
Mec11-20-BP100**	Pyramid (serrated) flat jaws	25x100 mm	0.72 kg
Mec11-20-BW100**	Wave jaws	25x100 mm	0.69 kg

Other surfaces on request

* Round jaws are applicable for dumbbell-shaped specimen ("dog-bone").
**When using 100 mm wide jaws the maximum tensile force is reduced to 10kN.

			
B - Blank (smooth) jaws - Suitable for own further treatments - Steel blanks without coating	BP - Multi purpose application range - Pyramid (serrated) jaws 1.2x45° - Hardened steel 58HRC, nickel plated	BV-jaws- for all kinds of round samples - Tooth pitch 1.2 mm - Hardened steel 58 HRC, nickel plated	BW Wave jaws - For textile specimen - Wave 5mm - Hardened steel 58 HRC, nickel plated



Mec11-20 with Mec11-20-BR jaws shown testing dumbbell specimen

Mec11-50 Scissor Grips (50 kN)

With locking function (snap in): the grip locks in the opened position.

Ordering information

Mec11-50 grips are supplied individually, not as a pair.

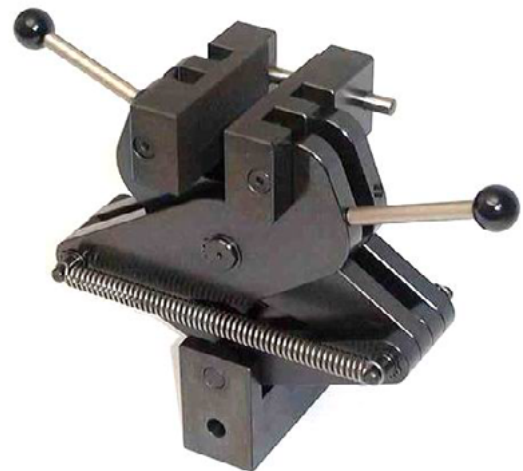
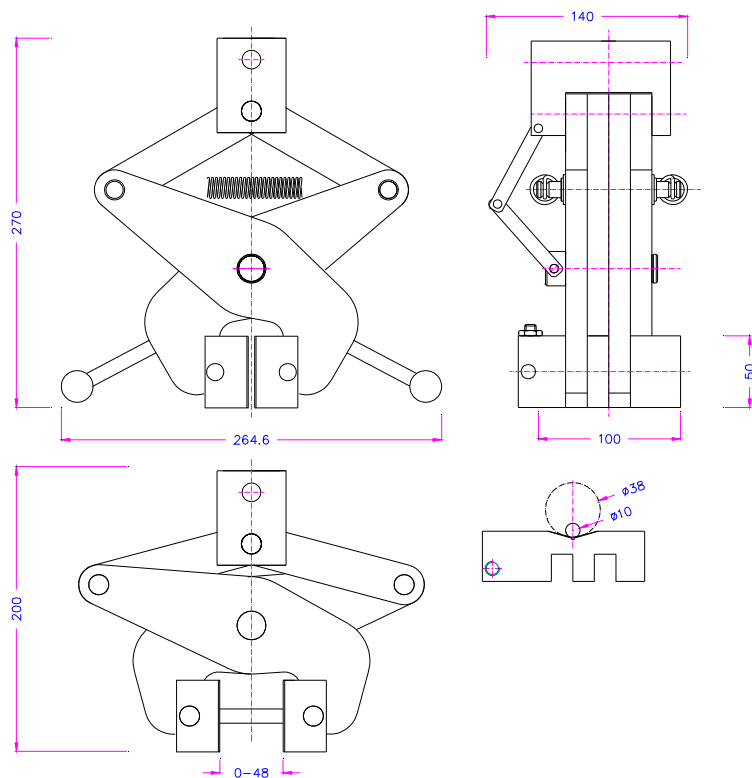
Mec11-50 grips are supplied with bore-hole to allow connection to QC-32 fixing post

• Item No.:	Mec11-50
• Tensile force:	50 kN
• Opening	Flat jaws 0 – 48 mm V-jaws for round specimen: 10 - 48 mm Ø
• Sample width	100 mm
• Body	Steel, manganese phosphate coating
• Weight	9.1 kg (without jaws)

Jaws for Mec11-50: Scope of delivery 0.5 set = 2 jaws (left and right)

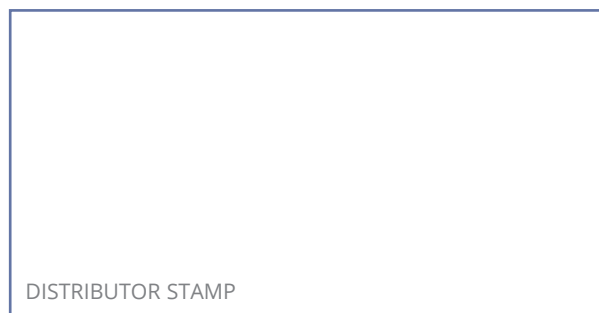
Item number	Surface	Clamping surface H x B	Weight per 0.5 set
Mec11-50-BP	Pyramid (serrated) jaws	50x100 mm	1.9 kg
Mec11-50-BV10	V-jaws for round specimen	Samples 10-48 mm Ø	2.0 kg

Other surfaces on request



Mec11-50 with Mec11-50-BP pyramid jaws

For more information on QC fittings, refer to datasheet 431-354
Adapters for QC range of grips.



Mecmesin reserves the right to alter equipment specifications without prior notice.
E&OE

Head Office
Mecmesin Limited

w: www.mecmesin.com
e: sales@mecmesin.com

France
Mecmesin France

w: www.mecmesin.com/fr
e: contact@mecmesin.fr

Germany
Mecmesin GmbH

w: www.mecmesin.com/de
e: info@mecmesin.de

North America
Mecmesin Corporation

w: www.mecmesin.com
e: info@mecmesincorp.com

Asia
Mecmesin Asia Co., Ltd

w: www.mecmesin.com/th
e: sales@mecmesinasia.com

China
Mecmesin (Shanghai) Pte Ltd

w: www.mecmesin.com/zh
e: sales@mecmesin.cn