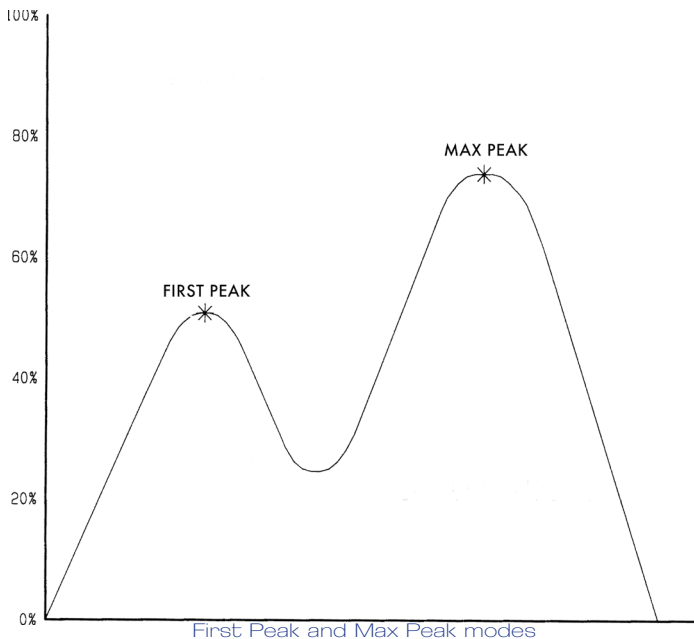


Torque Wrench Calibrator

- accurate
- easy-to-use
- fast operation
- economical solution
- modular system
- compact and portable
- rugged and reliable



TWC shown testing a mechanical torque wrench



accurate
portable
easy-to-use

The Mecmesin Torque Wrench Calibrator (TWC) is a versatile, easy-to-use system, which can verify the torque applied by any type of 'click action', 'break back' or dial indicator torque wrench with ease. Based on the AFTI universal force and torque display and designed as a modular system, the TWC is the ultimate in flexibility. The standard system is supplied with its own dedicated transducer connected to the AFTI, but for added flexibility a range of different "smart" transducers are available to allow testing up to 1000 N.m.

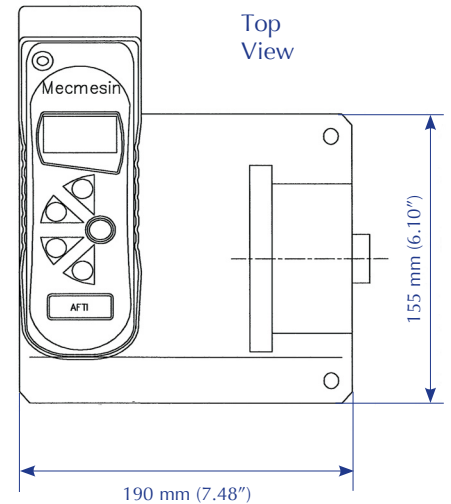
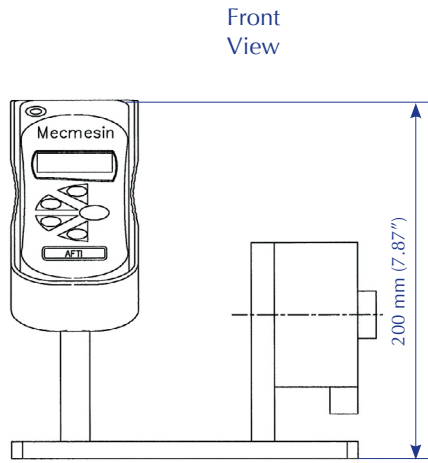
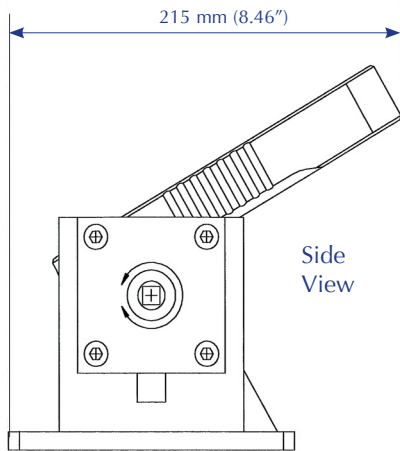
Three operating modes cover all common testing requirements. 'Normal' mode shows the live value, 'First Peak' mode records the true 'click torque' and 'Max' mode records the highest value. The TWC is easily reset using the push button torque zeroing facility.

Battery-powered, the TWC is a portable instrument ideal for use in calibration laboratories and production lines. It also has an inbuilt RS232 interface to download data to a printer or PC for further statistical analysis.

Mecmesin

testing to perfection

Dimensions mm (inch)



Specifications

Model	Rated Torque Range (F.S.D)	Resolution					
		N-m	kg-m	kg-cm	lb-ft	lb-in	SQ. drive
TWC 1	15 N-m/11 lb-ft	15 x 0.003	1.5 x 0.0003	150 x 0.03	11 x 0.003	130 x 0.03	3/8"
TWC 2	60 N-m/44 lb-ft	60 x 0.02	6 x 0.002	600 x 0.2	44 x 0.009	520 x 0.2	3/8"
TWC 3	100 N-m/72 lb-ft	100 x 0.02	10 x 0.002	1000 x 0.2	72 x 0.02	870 x 0.2	1/2"
TWC 4	150 N-m/110 lb-ft	150 x 0.03	15 x 0.003	1500 x 0.3	110 x 0.03	1300 x 0.3	1/2"
TWC 5	600 N-m/440 lb-ft	600 x 0.2	60 x 0.02	6000 x 2.0	440 x 0.09	-	3/4"
TWC 6	1000 N-m/720 lb-ft	1000 x 0.2	100 x 0.02	10000 x 2.0	720 x 0.2	-	1"

Standard Accuracy: ± 0.5% of full scale

AFTI Specifications

Operating Temperature: 20°C ± 2°C

Output:

RS232-C: 8 data bits, 1 Start bit, 1 Stop bit, no parity

Digimatic

Analogue

DISTRIBUTOR STAMP



Mecmesin reserves the right to alter equipment specifications without prior notice.

E&OE

Head Office - UK
Mecmesin Limited

w: www.mecmesin.com
e: sales@mecmesin.com

North America
Mecmesin Corporation

w: www.mecmesincorp.com
e: info@mecmesincorp.com

France
Mecmesin France

w: www.mecmesin.fr
e: contact@mecmesin.fr

Asia
Mecmesin Asia Co., Ltd

w: www.mecmesinasia.com
e: sales@mecmesinasia.com

Germany
Mecmesin GmbH

w: www.mecmesin.de
e: info@mecmesin.de

China
Mecmesin (Shanghai) Pte Ltd

w: www.mecmesin.cn
e: sales@mecmesin.cn