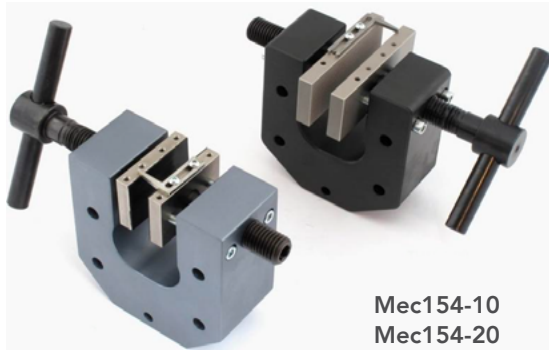
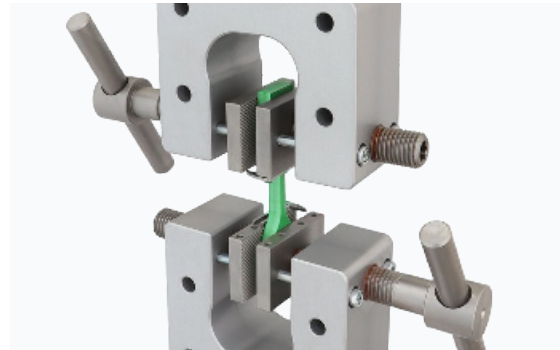


Heavy-duty Single-action Vice Grip, QC fitting

Mec154 - 10kN – aluminium, Mec154 - 20kN – steel



Mec154-10
Mec154-20



Mechanical Vice Grips apply a clamping force by manually tightening parallel jaw faces directly onto the specimen. Single-action vice grips allow one jaw to be set in position to align the specimen around the central axis and the other jaw to be freely adjustable to clamp it in place. Consequently they are best suited for tensile testing of symmetrical specimens which do not vary greatly in thickness.

The Mec154 Heavy-duty Vice Grips are rated to either 10 kN (aluminium body) or 20 kN (steel body) and available in with jaw openings ranging from up to 0-34 mm depending on the jaw types selected. An extensive collection of interchangeable, high-performance jaws with differing surface profiles provide excellent gripping characteristics to ensure that a variety of materials and components can be securely held.

Ideal for tension tests below 20 kN on a range of materials including flat strips of metal, rigid plastics, plus non-woven and general fabrics.

Scope of delivery: 1 grip supplied fitted with bore-hole to allow connection to QC-20 fixing post

Item No:	Mec154-10	Mec154-20
Rated capacity:	10 kN	20 kN
Opening (depending on jaws):	0-32 mm	0-32 mm
Weight each grip (without jaws):	2.36 kg	5 kg

Note: Jaws (see table below) must be ordered separately.

Jaws for Mec154: Scope of delivery 0.5 set = 2 jaws (left & right). Order any combination of 2 half-sets of jaws to fit into a pair of any Mec154 Heavy-duty Vice grips (upper & lower)

Item No.	Surface	Clamping surface H x W	Opening	Weight per 0.5 set
Mec154-B	Blank jaws	40 x 60 mm	0 - 32 mm	0.35 kg
Mec154-BG	Rubber jaws	40 x 60 mm	0 - 30 mm	0.36 kg
Mec154-BP	Pyramid jaws	40 x 60 mm	0 - 32 mm	0.33 kg
Mec154-BV4*	V-jaws	Clamping height 40 mm	4 - 32 mm Ø	0.35 kg
Mec154-BV6*	V-jaws	Clamping height 40 mm	6 - 32 mm Ø	0.32 kg
Mec154-BW	Wave jaws	40 x 60 mm	0 - 32 mm	0.32 kg
Mec154-BD	Diamond jaws	40 x 60 mm	0 - 32 mm	0.35 kg
Mec154-BWC	Jaws for bitumen	40 x 60 mm	0 - 14 mm	0.63 kg
Mec154-B100	Blank jaws	40 x 100 mm	0 - 28 mm	0.72 kg
Mec154-BG100	Rubber jaws	40 x 100 mm	0 - 26 mm	0.74 kg
Mec154-BP100	Pyramid jaws	40 x 100 mm	0 - 28 mm	0.69 kg
Mec154-BW100	Wave jaws	40 x 100 mm	0 - 28 mm	0.66 kg
Mec154-BD100	Diamond jaws	40 x 100 mm	0 - 28 mm	0.72 kg
Mec154-BW200	Wave jaws	60 x 200 mm	0 - 20 mm	3.00 kg

*We recommend BV6 jaws for samples with a larger diameter



Blank jaws
• Suitable for own further treatments
• Steel blanks without coating



Rubber jaws
• 1 mm rubber coating (NBR)
• Nickel-plated



Pyramid jaws
• Pyramids 1.2x45°
• Hardened steel 58HRC
• Nickel-plated



V-jaws
• For all kinds of round samples
• Tooth pitch 1.2 mm
• Hardened steel 58HRC, nickel-plated



Wave jaws
• For flexible materials
• Wave 5 mm
• Hardened steel 58HRC, nickel-plated



Diamond jaws
• Covered with synthetic diamonds
• Nickel-plated

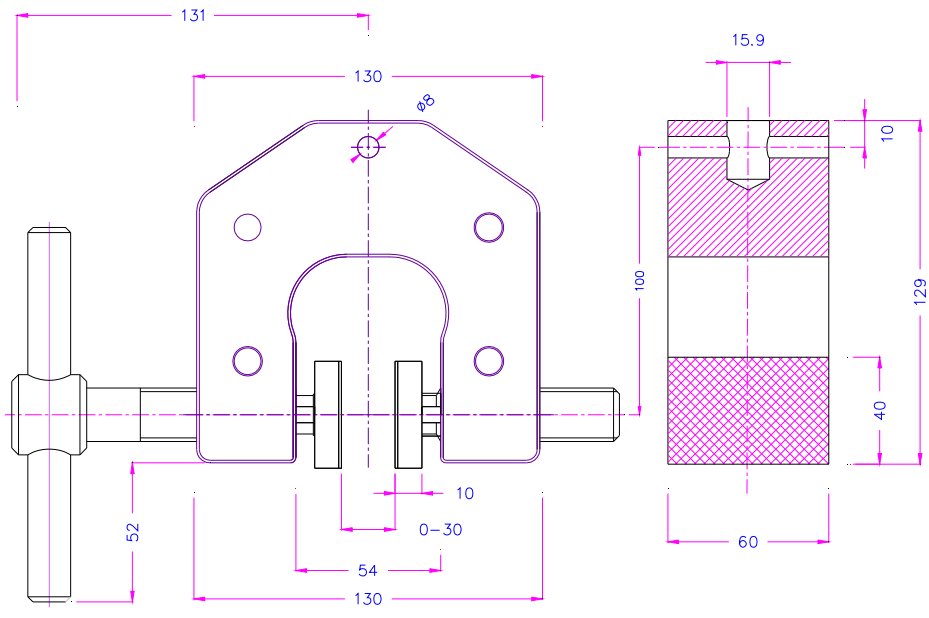


Mec154-BG 100 40x100 mm
rubber-coated



Mec154-BW 40x60 mm
wave form

Dimensions mm



For more information on QC fittings, refer to datasheet 431-354
Adapters for QC range of grips.



FS 58553



Mecmesin reserves the right to alter equipment specifications without prior notice.
E&OE

Head Office
Mecmesin Limited

w: www.mecmesin.com
e: sales@mecmesin.com

France
Mecmesin France

w: www.mecmesin.com/fr
e: contact@mecmesin.fr

Germany
Mecmesin GmbH

w: www.mecmesin.com/de
e: info@mecmesin.de

North America
Mecmesin Corporation

w: www.mecmesin.com
e: info@mecmesincorp.com

Asia
Mecmesin Asia Co., Ltd

w: www.mecmesin.com/th
e: sales@mecmesinasia.com

China
Mecmesin (Shanghai) Pte Ltd

w: www.mecmesin.com/zh
e: sales@mecmesin.cn