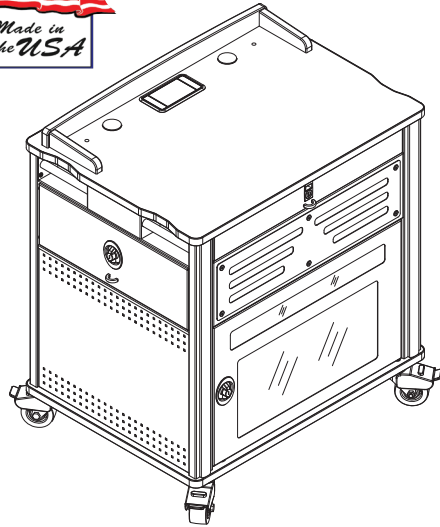
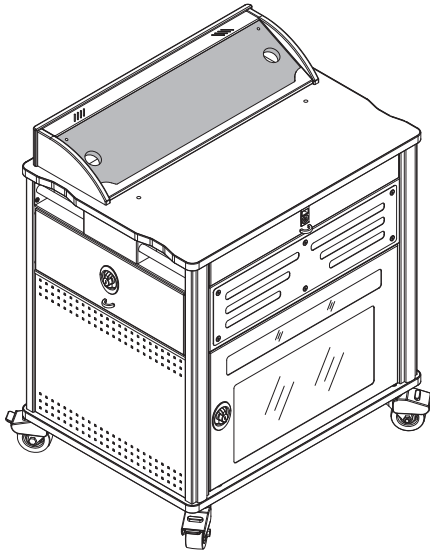


Technical Specifications

LH Drawer	RH Drawer	
55236	55237	Standard Media Manager V2
55242	55243	with Overbridge Control Console



Standard Media Manager V2
with LH drawer, Heavy-Duty
casters & surround
55236HDS



Media Manager V2 with Overbridge Control Console,
LH drawer & Heavy-Duty casters
55242HD
shown with optional insert panel (shaded)

The Media Manager is simply the standard from which the podium lectern industry is based. Two locking slide-out drawers and flip-up shelf are standard features that come fully assembled. Grommets are strategically placed throughout the Media Manager for well-organized cord management. Removable doors allow easy equipment installation and access. Instructors and integrators alike will appreciate the state-of-the-art lectern furniture design. High-quality materials and construction further set apart the Media Manager. A special NAUF particleboard is used as a healthy alternative to formaldehyde-rich pressed cores. Raw material manufacture and assembly methods are controlled by ISO 9001:2008 standards, making the Media Manager the most reliable lectern available.

Touchboards

205 Westwood Ave, Long Branch, NJ 07740
Phone: 866-94 BOARDS (26273) / (732)-222-1511
Fax: (732)-222-7088 | E-mail: sales@touchboards.com

Base Options

- HD 4" Heavy Duty casters
- TK Toe Kick
- HDS 4" Heavy Duty casters & Surround
(non-overbridge models only)
- TKS Toe Kick & Surround
(non-overbridge models only)

Options & Accessories

Page 9

Features and Benefits

- Pull-out locking drawer on full-extension ball bearing drawer slides with double-bolt lock system provides security and quick access to a document camera. Anti-skid pad at bottom of drawer prevents camera movement.
- Standard, flip-up shelf with cord grommet provides a convenient additional worksurface
- Full-width, pull-out locking laptop storage drawer/keyboard tray provides easy-access and secure storage for a laptop or keyboard with a flip-down wrist pad that provides keyboarding comfort
- Double-bolt, keyed locking front and rear doors provide security and easy-access
- Available in right or left-hand drawer versions
- Blank overbridge console version allows custom cutouts and installation of presentation controllers
- 4" swivel locking Heavy-Duty (HD) casters, and Toe Kick (TK) versions available
- Quick-release door hinges allow doors to be removed for full-access
- Removable acrylic viewing/access panel on the front door provides easy monitoring and access to internal equipment
- Ventilated side panels keep equipment cool
- Scratch and impact resistant 1 1/8" high-pressure laminate worksurface
- One rectangular worksurface grommet provides cable access or the ability to mount a power / communication module (standard version only)
- Two 2" cable grommets (left and right) on the worksurface or overbridge provide cable access
- Cable grommets throughout the unit keep wires and cords manageable
- Recessed handles on both ends of cart for better control when mobile
- 15' retractable UL-listed 15-amp power cord reel provides quick and easy power-access
- With enough storage space for an internal CPU, left or right-mountable rack-rail simplifies installation for any equipment configuration
- Rack rails can be mounted on the left or right side of the lectern
- Pre-drilled left and right monitor arm mounting holes allow easy installation of a monitor arm
- Quick-change front and rear logo/cord-access panels simplify adding or changing logos and accessing cords
- Wide variety of options and accessories allow unit to be configured to most situations
- Warranted to be free of all defects in materials and workmanship with a 10-year warranty

Color Options

Standard laminate / color combinations

Wild Cherry / Black
(CHB)



Indigo Organix / Black
(IB)



Indigo Organix / Dark Gray
(ID)



Fusion Maple / Black
(FMB)



Standard color combination refers to the quickest deliverable product color combination. Custom laminates and color combinations are available-additional lead-times and up-charges may apply. Call 1-800-235-1262 for further information.

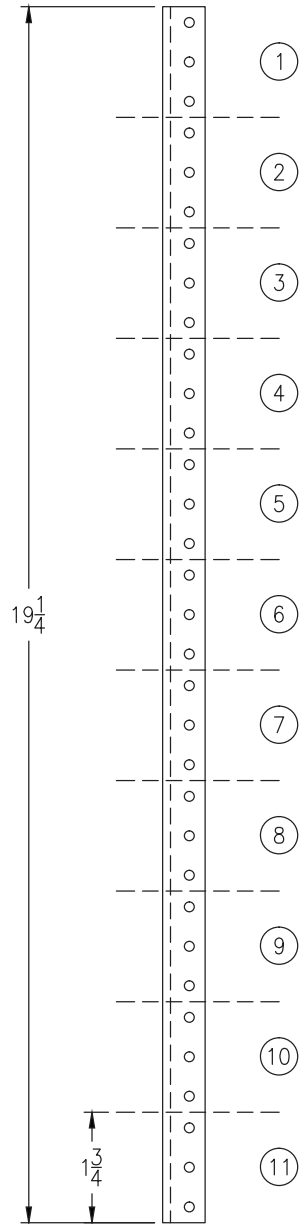
Construction

- The worksurface and base panel is constructed from 1½" thick NAUF (No Added Urea Formaldehyde) composite board with .030 high-pressure laminate on one face, and a balancing phenolic backer on the opposing face
- Metal components consist of 16-gauge and 20-gauge steel
- 16-gauge steel doors and corner columns
- Worksurface edges are covered with 3mm vinyl
- All metal components are finished with a scratch-resistant powder coat epoxy
- Solid wood corner trim
- Each Media Manager V2 Lectern is factory-assembled w/ casters, packaged, and shipped on its own skid

Capacity

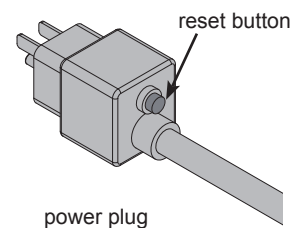
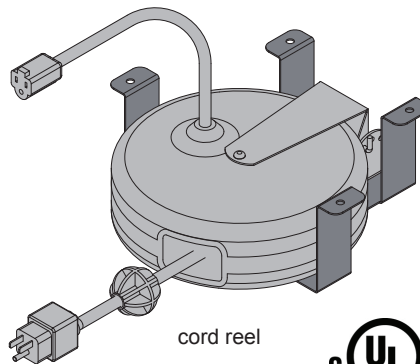
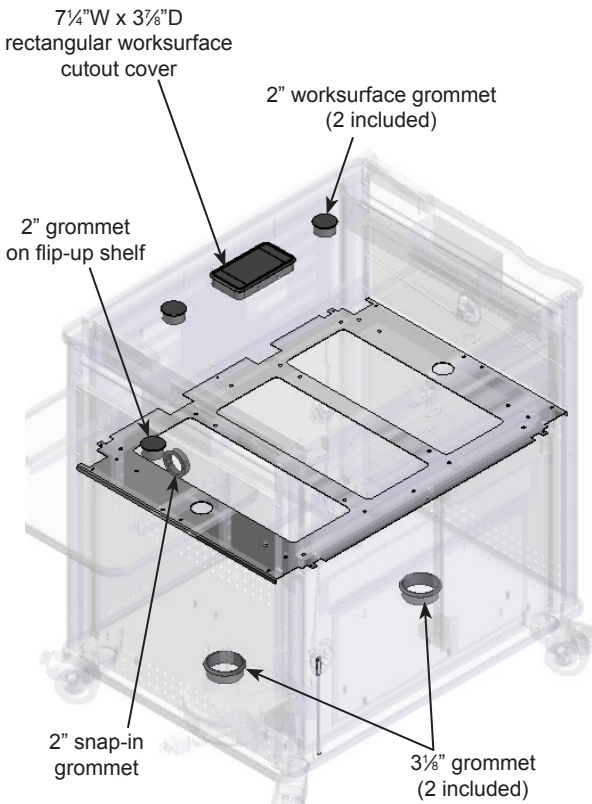
Total internal area	34½"W x 25"D x 19"H
CPU area	12"W x 25"D
Standard rack rail	11RU
4" Heavy-Duty wheels	weight capacity 300 lbs each
Document camera drawer	22⅙"W x 26⅙"D (8" top to bottom clearance)
Flip-up shelf	23⅙"W x 18⅙"D x 1" thick, can support a maximum of 50 lbs. Shelf hinges lock into place in the upright position (installed opposite drawer)
Worksurface grommet	7¼"W x 3⅜"D
Available cutout area in blank overbridge panel	26¼"W x 8⅜"D
Cord reel	15' retractable, 15-amp, 12AWG, w/ breaker, UL-listed
Unit weights (nominal)	254 lbs - w/ casters & surround 274 lbs - w/ toe kick & surround 235 lbs - w/ overbridge
Shipping weights (nominal)	334 lbs - w/ casters & surround 354 lbs - w/ toe kick & surround 315 lbs - w/ overbridge
Meets or exceeds all ANSI-BIFMA test standards	

Specifications subject to change without notice

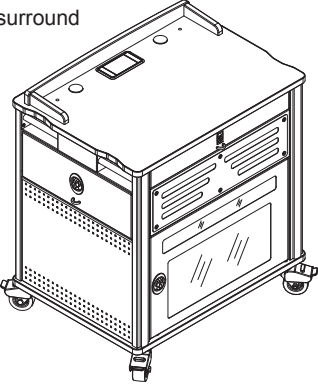
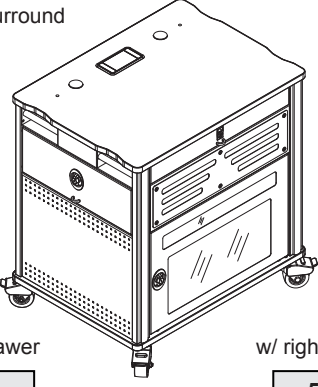
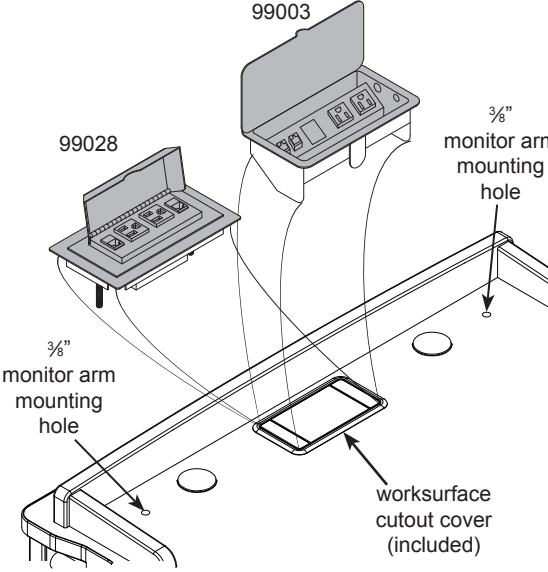
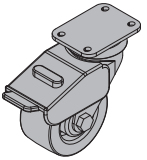
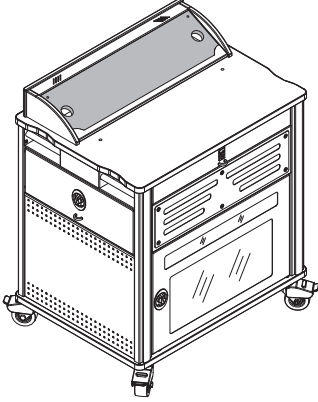
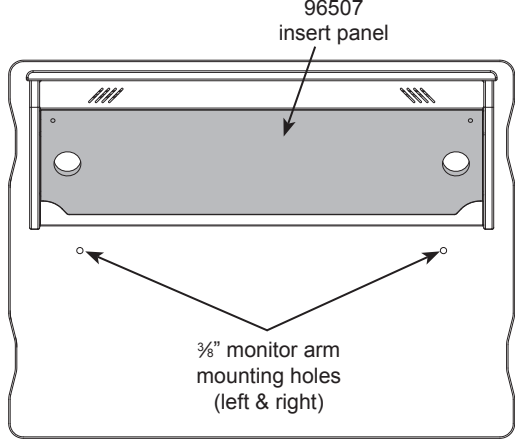
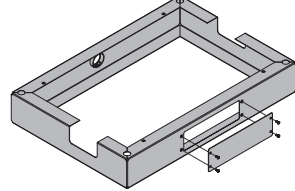


11RU available

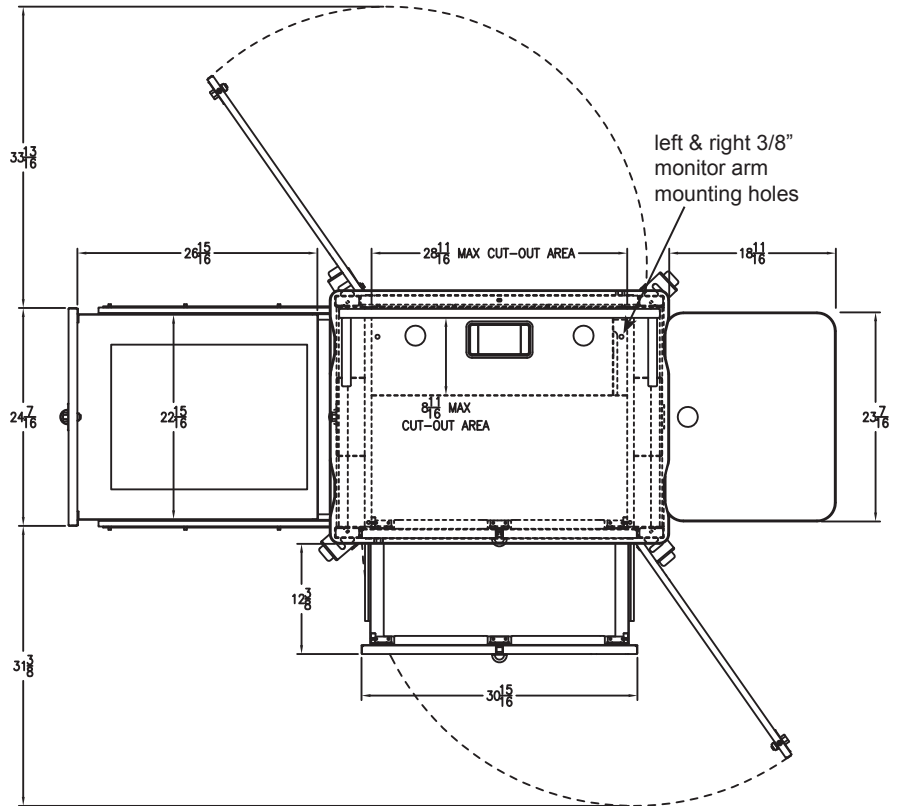
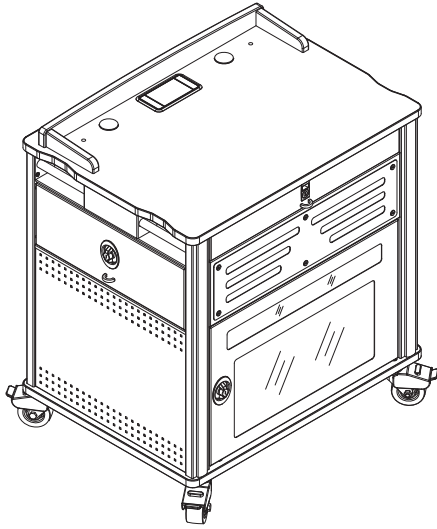
Note: The rack rails are factory-installed in the Media Manager on the side opposite the document camera drawer.



Models

	Worksurface:	Base Options:
<p>Standard MMV2 Lectern</p> <p>(S) with surround</p>  <p>without surround</p>  <p>w/ left drawer w/ right drawer</p> <p>55236 55237</p>	 <p>99028</p> <p>99003</p> <p>$\frac{3}{8}$" monitor arm mounting hole</p> <p>$\frac{3}{8}$" monitor arm mounting hole</p> <p>worksurface cutout cover (included)</p> <p>One worksurface cutout with cover for use with optional Power / Communication Modules (not included). Includes two 2" grommet holes with covers for routing cords from worksurface, and two $\frac{3}{8}$" holes with plugs for optional monitor arm mounting.</p>	 <p>X 4</p> <p>HD</p> <p>4" Heavy-Duty casters</p>
<p>MMV2 Lectern with Overbridge Control Console</p>  <p>Note: The insert panel shown (<i>shaded</i>) is <u>not</u> included with the lectern or overbridge. This option needs to be ordered separately to complete the overbridge.</p> <p>w/ left drawer w/ right drawer</p> <p>55242 55243</p>	 <p>96507 insert panel</p> <p>$\frac{3}{8}$" monitor arm mounting holes (left & right)</p> <p>Overbridge with blank insert panel for custom cutouts (see p.8 for dimensions). Overbridge is not available separately. Includes two 2" grommet holes with covers. Worksurface in front of overbridge includes two $\frac{3}{8}$" holes with plugs for optional monitor arm mounting.</p>	 <p>TK</p> <p>Standard Toe Kick</p>

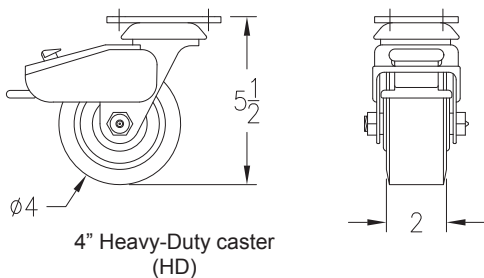
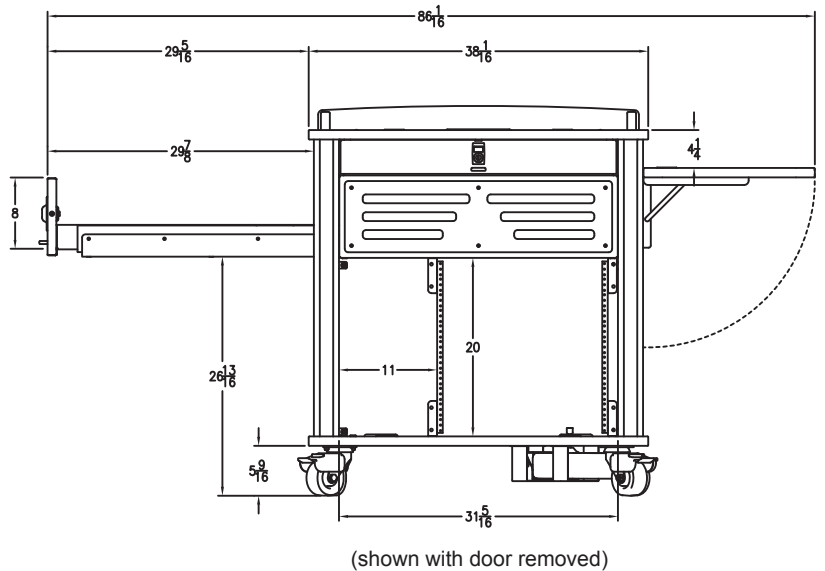
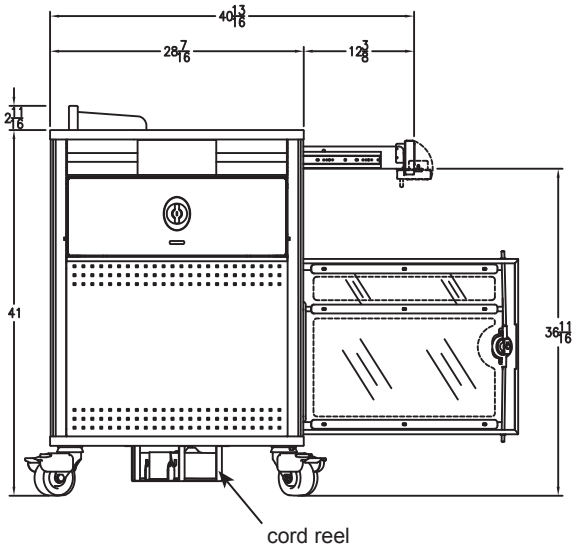
Media Manager V2
with Heavy-Duty casters & surround



**55236HDS standard left-hand drawer
"as-shipped" Configuration**

- Document camera drawer opens on left side of unit
- Flip-up shelf mounted on the right side
- Right-hinged doors
- Rack rail mounted in right-side position
- Right-mounted cord reel

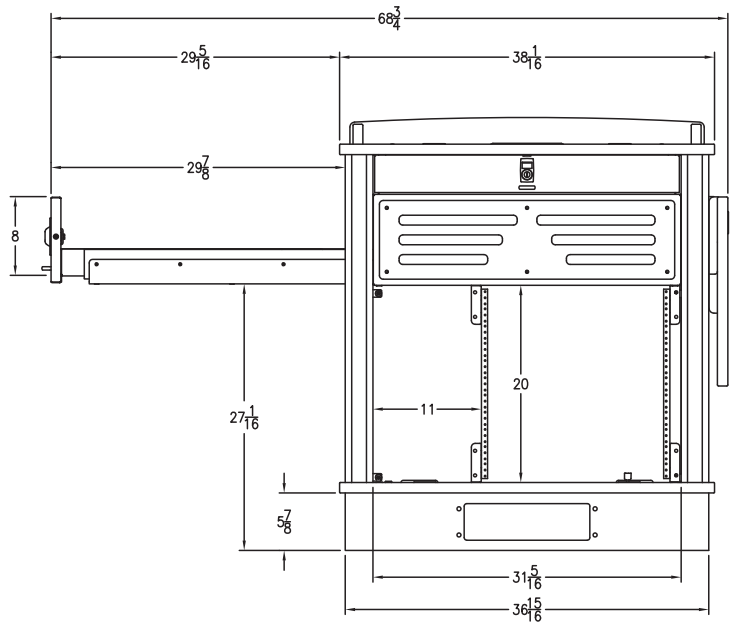
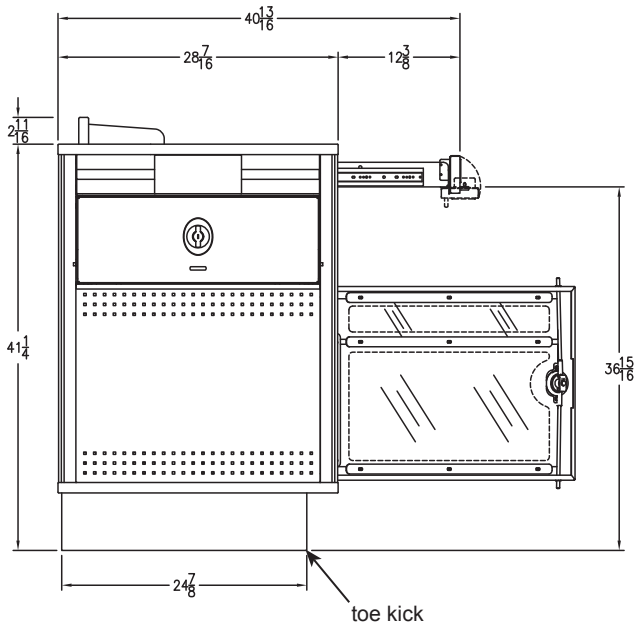
Note: It is possible for the customer to switch the document camera drawer, flip-up shelf, rack rail, and cord reel to the opposite side of the unit after purchase, but not recommended. Contact Spectrum for further information.



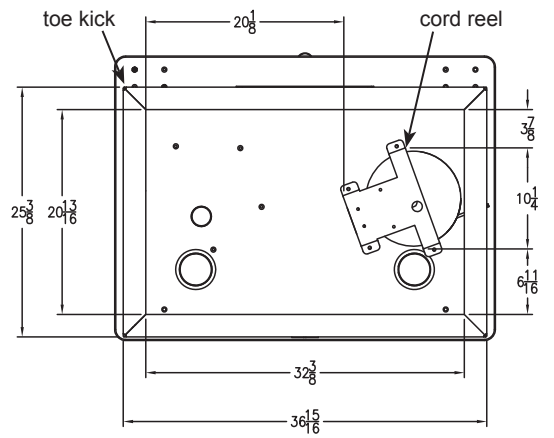
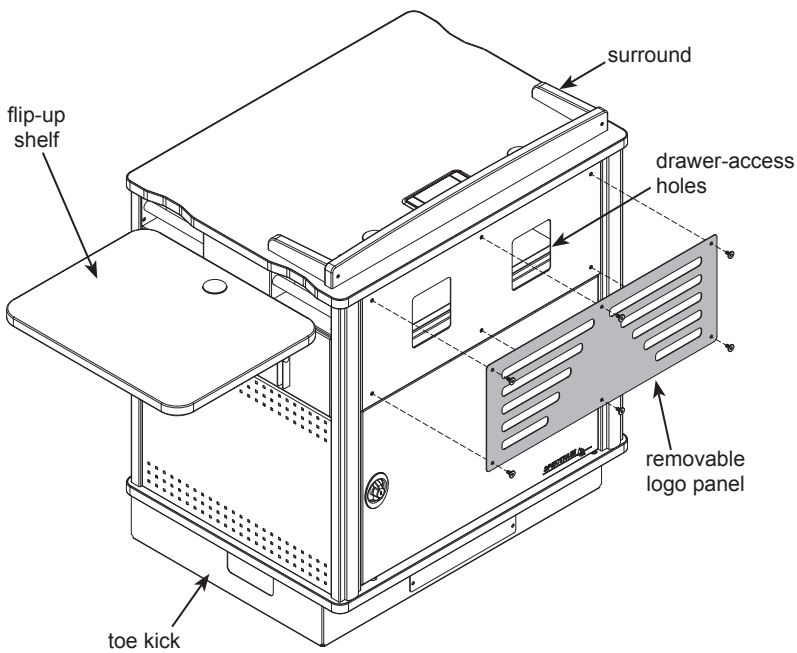
Note: On multiple lecterns, drawer and door locks can be keyed the same or differently. A modification can be made to key the locks on a single lectern differently or to key all the lecterns differently-an up-charge and lead-time will apply. (Standard locks are all keyed the same.)

Modified worksurface cutouts should be reviewed by Spectrum to ensure clearance of brackets, keyboard slides, or other objects under the worksurface.

Media Manager V2
with Toe Kick & surround

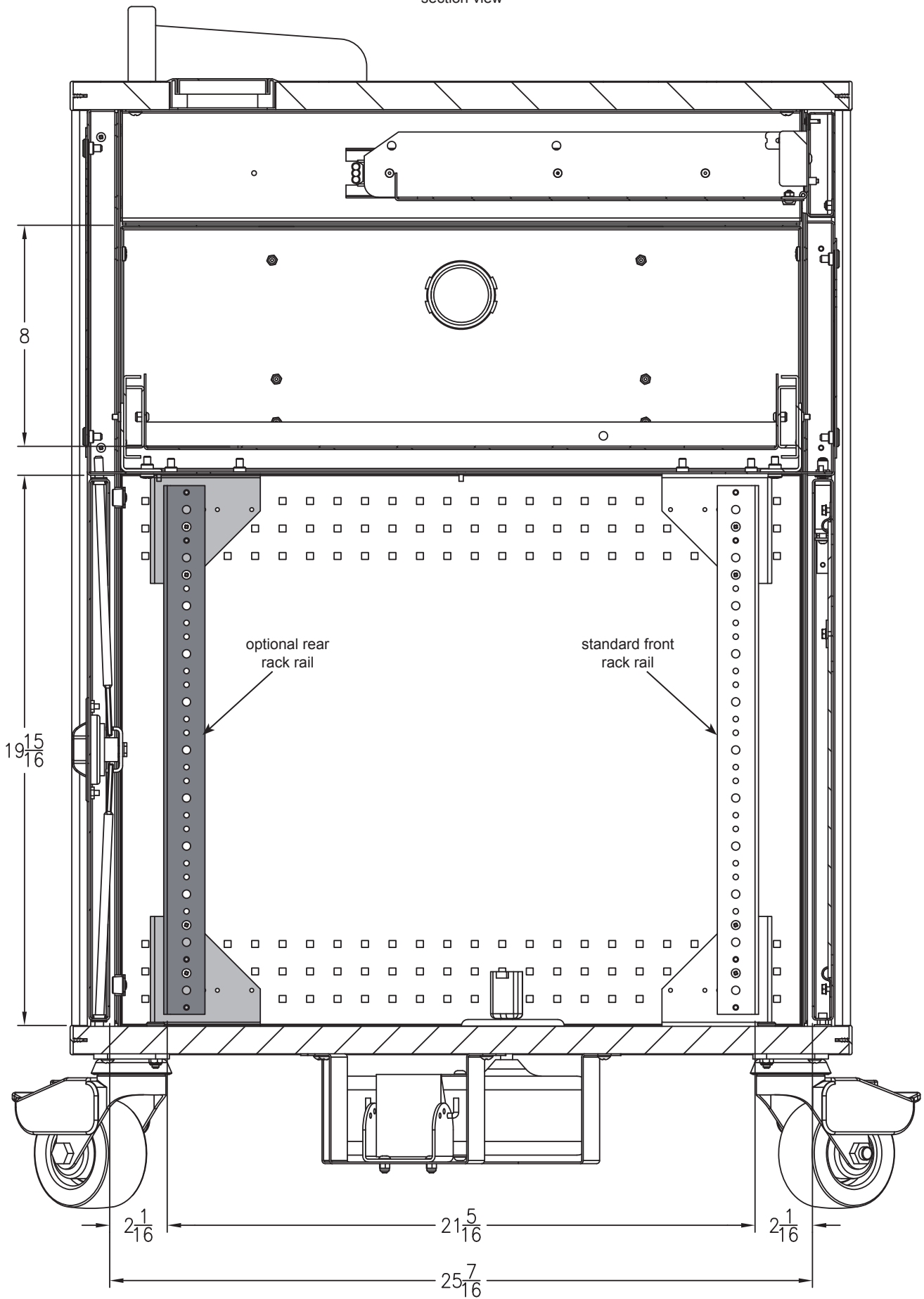


(shown with door removed)

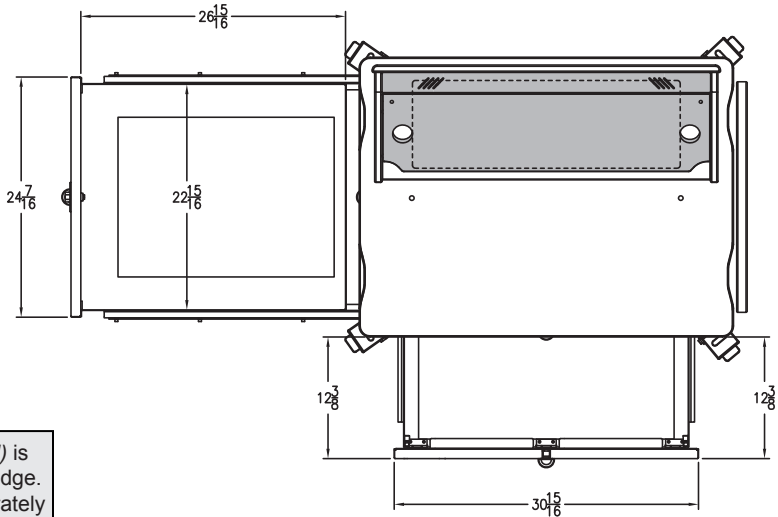
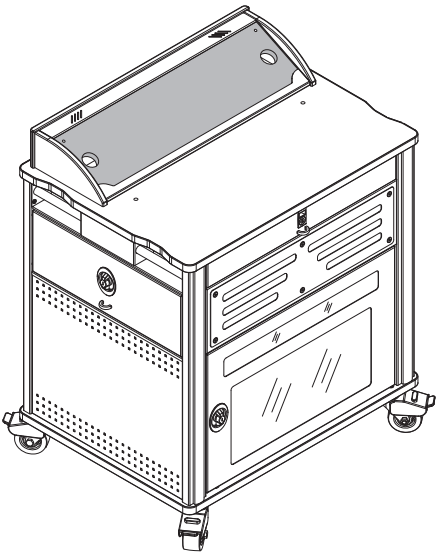


bottom view

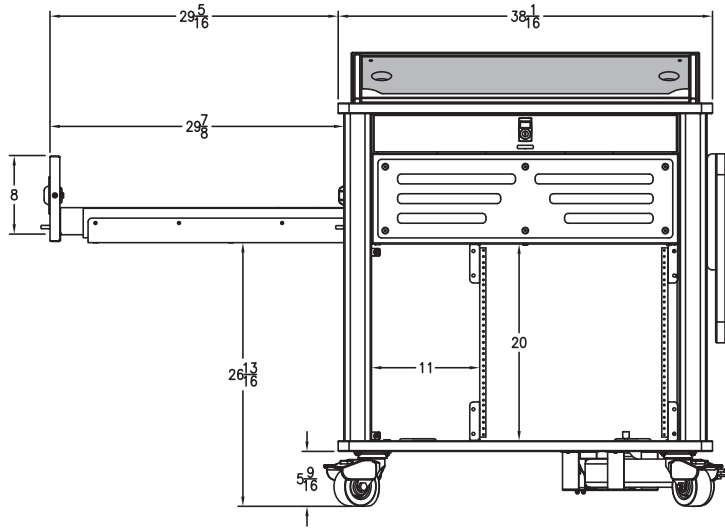
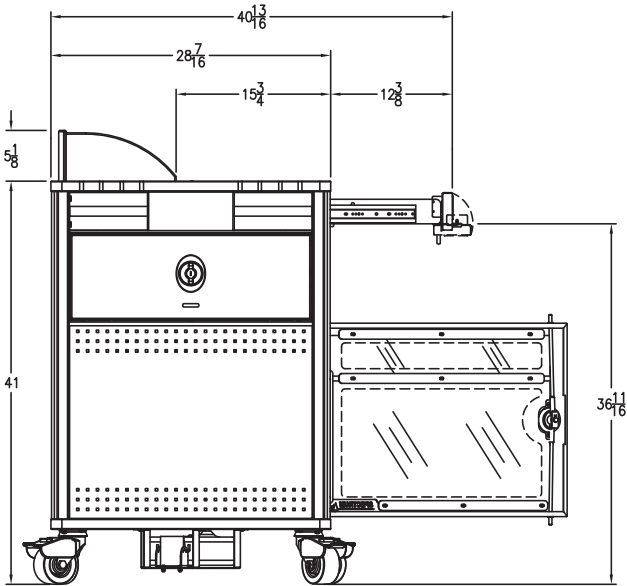
Media Manager V2
section view



Media Manager V2
with Overbridge Control Console & casters

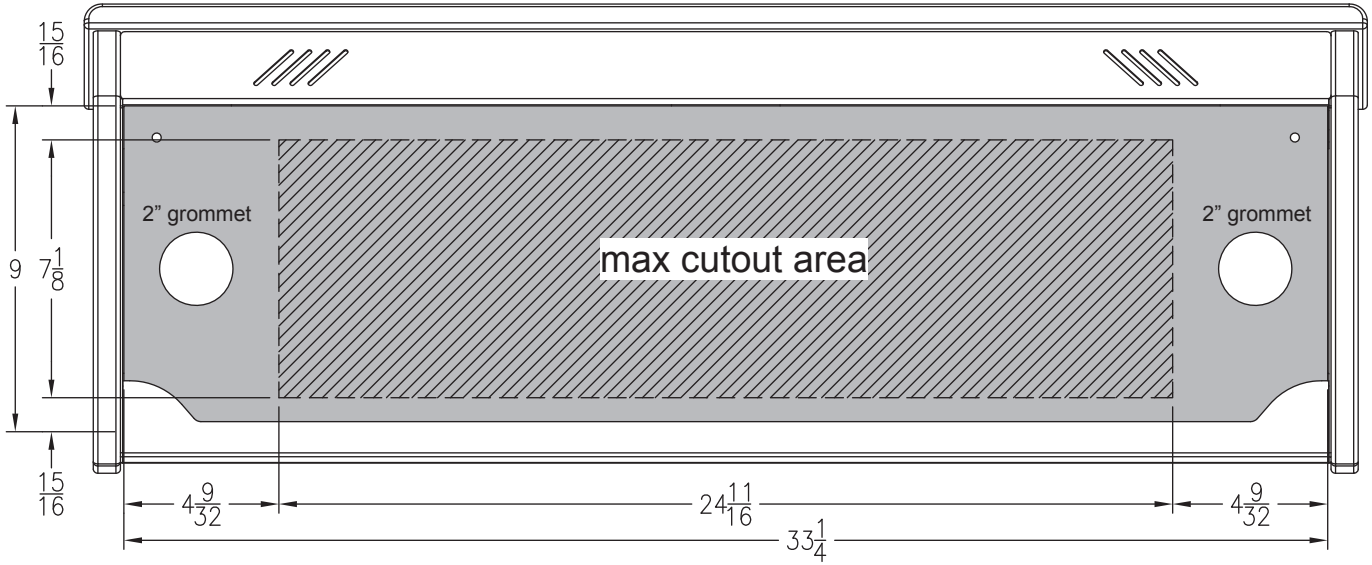


Note: The insert panel shown (*shaded*) is not included with the lectern or overbridge. This option needs to be ordered separately to complete the overbridge.

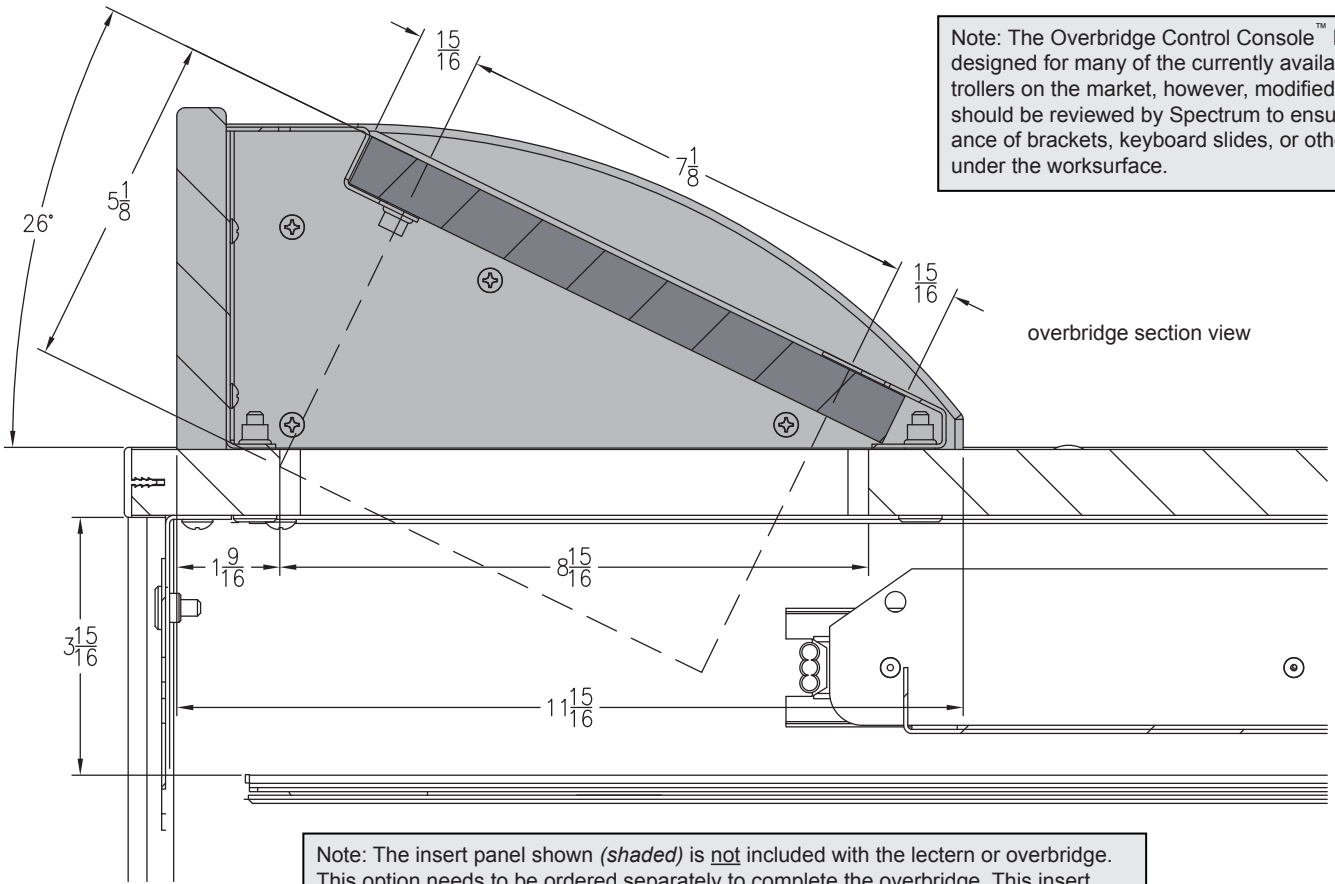


(shown w/ door removed)

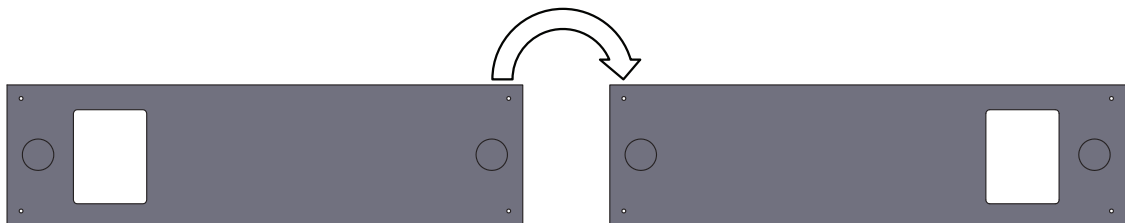
Media Manager V2 overbridge panel blank
(flat view)



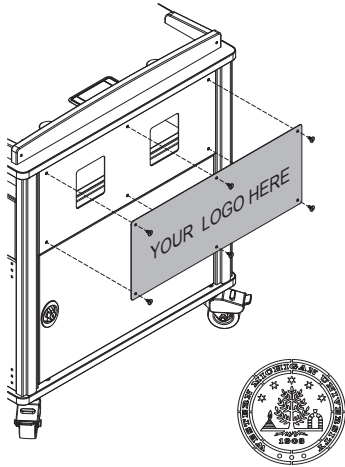
Note: The Overbridge Control Console™ has been designed for many of the currently available controllers on the market, however, modified cutouts should be reviewed by Spectrum to ensure clearance of brackets, keyboard slides, or other objects under the worksurface.



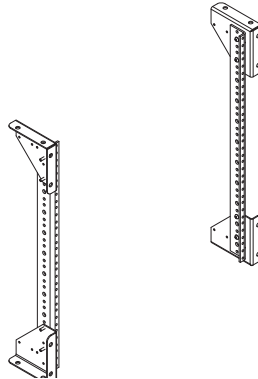
Note: The insert panel shown (*shaded*) is not included with the lectern or overbridge. This option needs to be ordered separately to complete the overbridge. This insert panel is horizontally symmetrical and can be easily removed, rotated 180°, and re-installed if a cutout needs to be relocated to the opposite side of the overbridge.



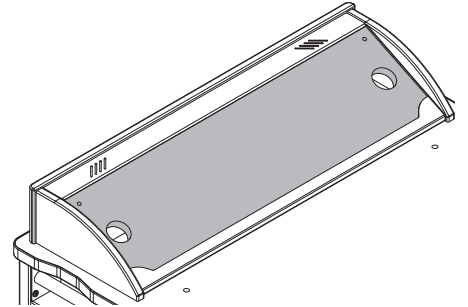
Options



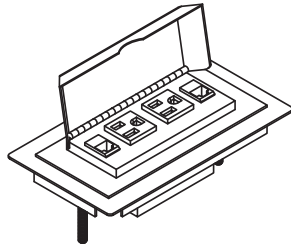
Custom-cut logo panel
(audience-side)
22½"W x 9"H
55241



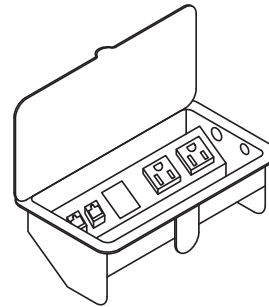
**Media Manager V2
Rear Rack Rail Kit**
11RU
55238



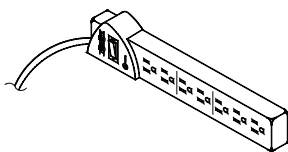
Overbridge Insert Panel
for overbridge version only-contact Spectrum to
specify cutout size(s) & position(s)-
overbridge not available separately
(includes two 2" grommets w/ covers)
96507 - blank panel
96507mod - panel with cutout(s)



UL Listed Power/Communication Module
w/ 9' power cord, two outlets, two data jacks, &
adapter plate (standard models only)
7½"W x 3½"D x ¾"H
99028



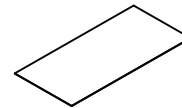
Power/Communication Module
w/ 9' power cord, two outlets, & two data jacks
7½"W x 3½"D (standard models only)
99003 (w/out mic jack)



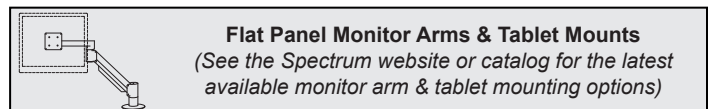
7-Outlet Power Strip, insured
w/ surge protector, and 12' cord
10"W x 2"D x 1½"H
99024



Replacement Key Set
55142

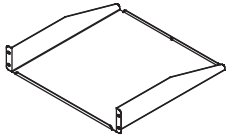


Non-Slip CPU Pad
11"W x 23"D
95518

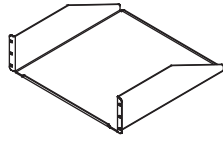


Flat Panel Monitor Arms & Tablet Mounts
(See the Spectrum website or catalog for the latest
available monitor arm & tablet mounting options)

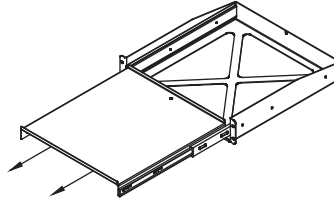
Rack-mount accessories



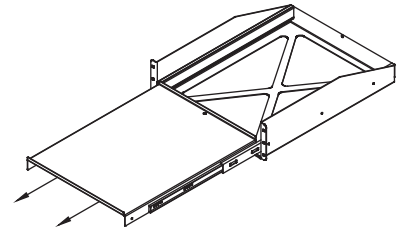
Cantilever Shelf (2RU)
 17½"W x 18"D x 3½"H
 (50 lbs max load)
 97504



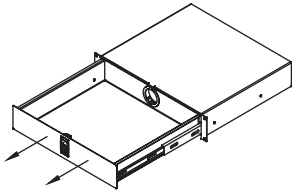
Cantilever Shelf (3RU)
 17½"W x 18"D x 5¼"H
 (80 lbs max load)
 97502



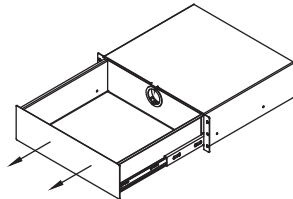
Pull-Out Shelf (2RU)
 16½"W x 17¼"D
 (50 lbs max load)
 97505



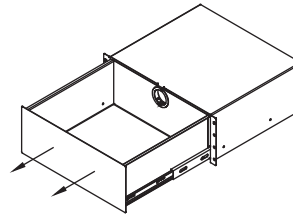
Pull-Out Shelf (3RU)
 16½"W x 21¼"D
 (80 lbs max load)
 97503



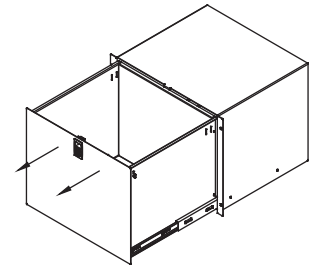
Locking Drawer (2RU)
 interior dims:
 15¾"W x 13¼"D x 2⅞"H
 (25 lbs max load)
 97514



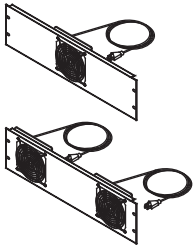
Drawer (3RU)
 interior dims:
 15¹⁵⁄₁₆"W x 14½"D x 5¼"H
 (50 lbs max load)
 97518



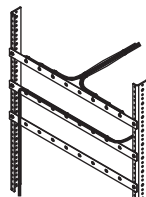
Drawer (4RU)
 interior dims:
 15¹⁵⁄₁₆"W x 14½"D x 7"H
 (50 lbs max load)
 97519



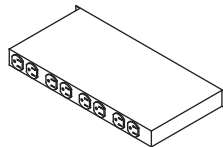
Locking File Drawer (8RU)
 w/ file holder
 interior dims:
 15¾"W x 13⅞"D x 13⅝"H
 (50 lbs max load)
 97515



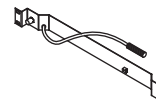
Cooling Fans (3RU)
 19"W x 2"D x 5¼"H
 Single Fan-97507
 Double Fan-97506



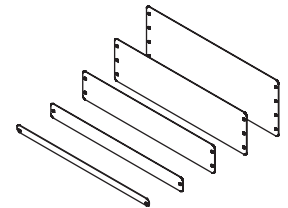
Wire Lace Kit
 3 lace straps included
 95517



9-Outlet Power Strip (1RU)
 19"W x 9"D x 1¼"H
 99021

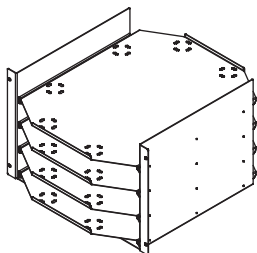


Flexible Halogen Light (1RU)
 19"W x 2"D x 1¼"H
 99033



Rack-Mount Blanks
 (fills rack spaces where components are not needed)

- 97516 - (½ RU)
- 97510 - (1RU)
- 97511 - (2RU)
- 97512 - (3RU)
- 97513 - (4RU)



LT-4 Laptop Storage Unit (7RU)
 (stores 4 laptops horizontally)
 laptop tray dims:
 16¼"W x 20½"D x 2⅞"H
 97517

Warranty

WE WILL MAKE IT RIGHT FOR YOU!

Spectrum is committed to provide complete customer satisfaction. Each of our products are manufactured from the best materials available and each product is stringently monitored throughout the production process through our P.A.C.E. program (Product Assurance to meet Customer Expectations). Our Customer Service Help Line 1-800-235-1262 is ready to provide immediate attention to any questions, comments or concerns. We are available to answer your calls Monday through Friday from 7 am to 5 pm CST, excluding observed holidays. In addition your product comments or concerns are welcome via e-mail at: spectrum@spectrumfurniture.com.

Warranty Statement

We guarantee all Spectrum products to be free of all defects in materials and workmanship, for the original owner, for a period of ten years. Any item deemed defective by Spectrum or the original manufacturer, under normal use conditions, will be repaired or replaced at Spectrum's discretion. This warranty applies to all products manufactured and distributed by Spectrum except the products listed below.

Items that have a varying warranty include, but are not limited to, the following:

- Adjustable Crank/Electric Desk Legs (1 yr)
- Flat Panel Desk Gas Cylinders (1 yr)
- Upholstered Soft-Goods (5 yrs)
- Adjustable Height & Stacking Chair Parts – including frames, gas cylinders, wood and plastic parts, and control handles (7 yrs)
- Adjustable Height & Stacking Chair Casters (2 yrs)
- Chair Upholstery & Textiles (2 yrs of normal use of Soft Goods, Adjustable Height, Stacking, Wood and Metal Chairs)
- Chair Upholstery - Graded-In Fabrics and C.O.M (no warranty)
- Height Adjustable Columns and Lifts (1 yr)
- General Use Casters (1 yr)
- Electrical – Electri-Pak, Power Communication Modules, and special order ECA electrical items (1 yr)
- Electrical - Power Strips & Electrical Timers (1 yr)
- Electrical Surge Suppressors (lifetime)
- Electrical - Retractable Power Cords (1 yr)
- Keyboard/Mouse Trays (1 yr)
- Flat Panel Monitor Arm – General Parts (5 yrs)
- Flat Panel Monitor Arm – Gas Cylinders (2 yrs)
- CRT Monitor Arm (1 yr)

Warranty is void if product is not used for its intended purpose or subjected to an unusual application, multiple-shift use, alteration, accident, abuse or abnormal wear and tear. Representations of colors on-line and in printed materials are meant to be a close reference to the actual colors but not an exact match. Slight variations in color and texture of wood stains, powder coating, laminates, fabrics and other materials are normal in different manufacturing lots; as such these variations are not considered defects.

DESIGNED FOR INDOOR USE ONLY – Unless specifically stated in the product specifications, Spectrum's products have been designed and constructed for indoor use only. Moving or using outdoors, or on excessively rough surfaces, may cause damage to the products and will void the warranty. If an outdoor application is desired please contact us to discuss potential custom design solutions.

The warranty, as stated above, supersedes any previous warranties and is effective as of 9/1/2010

Touchboards

205 Westwood Ave, Long Branch, NJ 07740
Phone: 866-94 BOARDS (26273) / (732)-222-1511
Fax: (732)-222-7088 | E-mail: sales@touchboards.com



INDOOR AIR QUALITY
Indoor Advantage | Furniture

