

ETK - Earth Test Kit

Electrode & Soil Resistivity Stake and wire kit



- Accessory kits to complete earth electrode testing and soil resistivity surveys
- Can be used with any of the DET2/2, DET2/3, DET3 or DET4 Megger ground testers as well as Megger MFT models
- Easy wind and unwind reels
- Easy to use, easy pack away
- Earth test spikes on reels
- Supplied with holdall bag for easy transportation
- Multiple lengths to meet all needs

DESCRIPTION

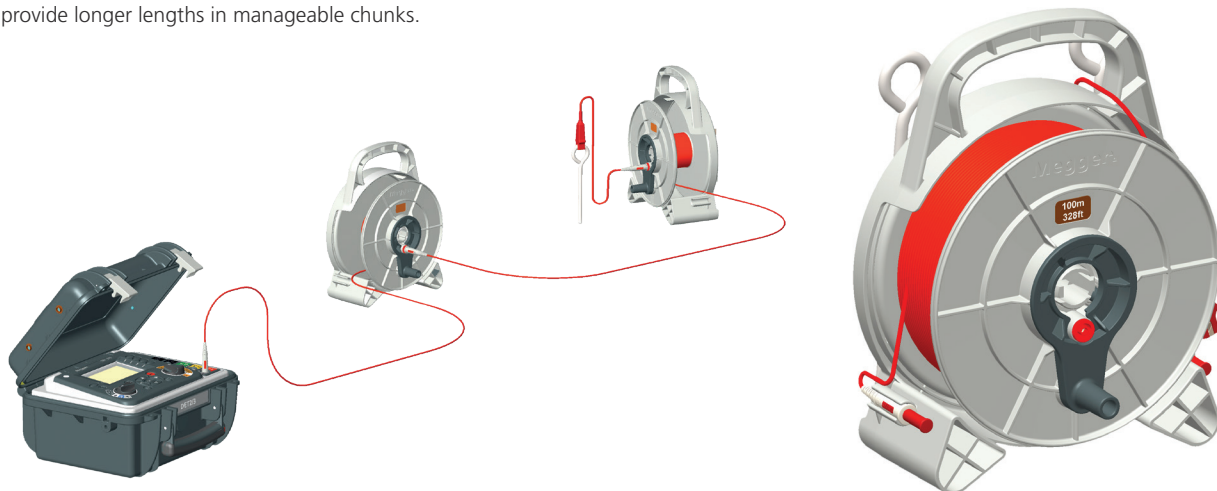
Megger has been a pioneer of earth/ground testing and provides exceptional test meters with accessory kits for this purpose. The Megger Earth Test Kits (ETK models) are designed to be as practical as possible. Housed in a holdall, the kits are stored neatly, well protected and easy to transport. Much care has been taken to produce a variety of kits to meet needs.

In use, the test leads are fitted and retained on reels with smooth action. Simply run out the test lead from the instrument to the test point, clip the end directly into the spike and test, easy. When the test is complete, unclip the test leads and wind them in.

The kits come in different combinations to meet different needs and constraints. They are supplied with a tape measure to ensure accurate placement of test spikes/pins. The reels can be daisy chained together to provide longer lengths in manageable chunks.

FEATURES

- Light weight reels
- Large comfortable handle
- Sits on the ground or any flat surface
- Clips on reel to retain earth spikes/pins
- Clips on reel to retain the end of test leads
- Ability to daisy chain allows extra long length in manageable chunks. The manageable chunks make reels lighter and easier to carry, helping to quickly resolve any connectivity issues.



Earth Test Kit
Electrode and soil resistivity stake and wire kit

		ETK30 1010-176	ETK50 1010-177	ETK100 1010-178	ETK50C 1010-179	ETK100C 1010-180
Test lead on reel	Red	100 ft (30 m)	165 ft (50 m)	330 ft (100 m)	165 ft (50 m)	330 ft (100 m)
	Yellow	65 ft (20 m)	165 ft (50 m)	330 ft (100 m)	165 ft (50 m)	330 ft (100 m)
	Black		100 ft (30 m)	200 ft (60 m)	100 ft (30 m)	200 ft (60 m)
	Green		100 ft (30 m)	200 ft (60 m)	100 ft (30 m)	200 ft (60 m)
Test lead 6.5 ft (2 m) with croc clip black		■				
Earth test spikes *		2	4	4	4	4
Interconnection lead (Reel to spike) *	Red	■	■	■	■	■
	Yellow	■	■	■	■	■
	Black		■	■	■	■
	Green		■	■	■	■
MCC1010					■	■
MCC1010 test lead					■	■
MVC1010					■	■
MVC1010 test lead					■	■
1.4 m leads with connectors and clips (x2)					■	■
Measuring tape			330 ft (100 m)	330 ft (100 m)	330 ft (100 m)	330 ft (100 m)
Holdall to contain kit		■	■	■	■	■

* Supplied with reels

ORDERING INFORMATION			
Description	Order Code	Individual Accessories	Order Code
Cable reel kit ETK30	1010-176	Terminal adapter, detachable retro-fit for C1-, P1-, P2- und C2 connectors	6220-803
Cable reel ETK50	1010-177	Clamp MCC1010 with test lead	1010-516
Cable reel ETK50C	1010-179	Clamp MVC1010 with test lead	1010-518
Cable reel ETK100	1010-178	330 ft (100 m) reel with spike, red	1010-850
Cable reel ETK100C	1010-180	330 ft (100 m) reel with spike, yellow	1010-851
		200 ft (60 m) reel with spike, green	1010-849
		200 ft (60 m) reel with spike, black	1010-848
		100 ft (30 m) reel with spike, red	1010-844
		65 ft (20 m) reel with spike, yellow	1010-842
		6.5 ft (2 m) test lead with croc clip	1010-857
		Measuring tape 100 m	1010-855
		Holdall bag large	1010-854
		Holdall bag small	1010-836

SALES OFFICE
Megger USA -
Valley Forge Corporate Center
2621 Van Buren Avenue, Norristown,
Pennsylvania, 19403, USA
T. 1-610 676 8500
F. 1-610-676-8610

ETK_DS_US_V01
www.megger.com
ISO 9001
The word 'Megger' is a registered trademark

