

# Megger<sup>®</sup>



## MIT400/2 Series

Insulation and continuity testers

User guide

# User guide contents

---

1.	<b>Introduction</b>	3	10.	<b>Continuity testing [<math>\Omega</math>]</b>	28
2.	<b>⚠ Safety Warnings</b>	4		Measurement for 2 terminal instruments and MIT2500	28
	Symbols used on the instrument	4		Single or bi-directional testing	29
	WEEE Directive	5		Test lead null	29
	Battery disposal	5		Buzzer PASS/FAIL threshold	30
3.	<b>General description</b>	6		Buzzer ON/OFF	30
	Unpacking the carton	6		PASS / FAIL limit alarm	30
	Carton contents (all instruments)	6		Test current - 20 mA / 200 mA	30
4.	<b>Preparations for use (all instruments)</b>	7		Measurement for 3 terminal instruments	30
	Batteries	7		Visual fast continuity (silent buzzer) mode	31
	Preliminary test lead check	7		REL mode	31
5.	<b>Instrument overview</b>	8	11.	<b>Capacitance measurements</b>	32
	General functions	8		Capacitance measurement procedure (2 terminals)	32
	Display contents	9		Distance measurement by capacitance	32
	Terminal overview	10		Capacitance measurement procedure (3 terminals)	32
6.	<b>General operating instructions</b>	11	12.	<b>Saving, recalling and downloading test results.</b>	33
7.	<b>Input Terminals</b>	12		Saving test results	33
	2 terminal test lead connections	12		Test results recall	34
	2 terminal + Guard (MIT2500)	12		PI and DAR recall.	34
	3 terminal test lead connection	13		Deleting test results	35
	SP5 Switched probe (not MIT400/2)	15		Downloading test results	35
8.	<b>AC/DC voltage and frequency measurements</b>	16		Procedure for pairing your MIT to the PC	35
	For 2 terminal instruments and MIT2500	16		Downloading data to the PC	36
	For 3 terminal instruments (MIT481/2, MIT485/2 only)	17	13.	<b>SETUP Configuration options</b>	38
	Result storage:	18	14.	<b>Specification</b>	39
9.	<b>Insulation resistance testing</b>	19	15.	<b>Battery and fuse replacement</b>	41
	Measurement for 2 terminal instruments and MIT2500	19		Battery condition and replacement	41
	Variable voltage insulation testing (MIT430/2, MIT485/2, MIT2500)	22		Procedure to replace batteries	41
	Polarisation Index (PI) and Dielectric Absorption Ratio (DAR)	22		Blown fuse indicator	42
	For 3 terminal instruments (MIT481/2, MIT485/2 only)	25		Fuse replacement procedure	42
	ESD testing mode (MIT415/2 and MIT400ESD)	26		Preventive maintenance	42
	REN mode	27	16.	<b>Repair and Warranty</b>	43
				Calibration, Service and Spare Parts	43

# 1. Introduction

---

Thank you for purchasing the Megger insulation test instrument.

For your own safety and to get the maximum benefit from your instrument, please ensure that you read and understand the following safety warnings and instructions before attempting to use the instruments.

This user guide describes the operation and functions of the MIT400/2 series of insulation and continuity test instruments.

These instruments are designed and manufactured by:

**Megger Ltd**  
**Archcliffe Road**  
**Dover Kent CT17 9EN**  
**England**

Megger Limited reserves the right to change the specification of these instruments at any time without prior notice.

## 2. Safety Warnings

### 2.1 Safety Warnings

Safety warnings and precautions must be read and understood before the instrument is used. They must be observed during use.

- National Health and Safety Legislation requires users of this equipment and their employers, to carry out valid risk assessments of all electrical work so as to identify potential sources of electrical danger and risk of electrical injury such as inadvertent short circuits. Where the assessments show that the risk is significant then the use of fused test leads may be appropriate.
- The voltage indicator and automatic discharge features must be regarded as additional safety features and not a substitute for normal safe working practice which **MUST** be followed.
- The circuit under test must be switched off, de-energized, securely isolated and proved dead before test connections are made when carrying out insulation and continuity tests.
- Test voltages greater than 1000 V dc must not be used on capacitive circuits. Capacitive charges can be lethal.
- Circuit connections and exposed-conductive-parts and other metalwork of an installation or equipment under test must not be touched during testing.
- The Voltmeter function will operate only if the instrument is switched on and working correctly.
- After an insulation test, the instrument must be left connected until the circuit has been discharged to a safe voltage.
- Do not handle test leads above the 1000 V range. (For use in dry conditions only).
- The instrument should not be used if any part of it is damaged.
- All test leads, probes and crocodile clips must be in good order, clean and with no broken or cracked insulation. Verify the integrity of the test leads before making measurements. Only "Megger" approved test leads must be used with this product.
- Ensure that hands remain behind finger guards of probes/clips.
- National Safety Authorities may recommend the use of fused test leads when measuring voltage on high-energy systems. Fused Leads must be tested independently before use to ensure fuse integrity.
- Replacement fuses must be of the correct type and rating. Failure to fit the correctly rated fuse may result in a safety hazard and may cause damage to the instrument in the event of an overload.
- All covers must be in place whilst conducting tests.
- If this equipment is used in a manner not specified by the manufacturer, the protection provided by the equipment may be impaired.
- The instrument must be used only by suitably trained and competent persons.

#### Safety symbols marked on the instrument



refer to user instructions



Equipment protected throughout by Double Insulation.



risk of electric shock



Equipment complies with current EU directives.

CATIV 600 V



600 V ac rms maximum between terminals, and between terminal and earth



N13117 Equipment complies with current "C tick" requirements.

IP54

Enclosure is dust proof and protected against water splashes



Do not dispose of in the normal waste stream.



Fuse FF 500mA 1000V 30kA

---

## Installation Category Definitions:

**CAT IV - Measurement category IV:** Equipment connected between the origin of the low voltage mains supply and the distribution panel.

**CAT III - Measurement category III:** Equipment connected between the distribution panel and the electrical outlets.

**CAT II - Measurement category II:** Equipment connected between the electrical outlets and the user's equipment.

Measurement equipment may be safely connected to circuits at the marked rating or lower.

## 2.2 WEEE Directive



The crossed out wheeled bin symbol placed on Megger products is a reminder not to dispose of the product at the end of its life with general waste.

Megger is registered in the UK as a Producer of Electrical and Electronic Equipment. The Registration No is WEE/HE0146QT.



For further information about disposal of the product consult your local Megger company or distributor or visit your local Megger website.

## 2.3 Battery disposal

The crossed out wheeled bin symbol placed on the batteries is a reminder not to dispose of them with general waste at the end of their life.

This product contains the following batteries - AA alkaline batteries.

They are located under the battery cover at the rear of the instrument.

They can be safely removed by following the instructions in the battery replacement section of this guide.

Dispose of batteries according to local authority regulations.

Megger is registered in the UK as a producer of batteries.

The Registration number is BPRN00142.

For Further information see [www.megger.com](http://www.megger.com)

## 3. General Description

### 3.1 Unpacking the carton

There are important documents that you should read and keep for future reference.

### 3.2 Case contents (all instruments)

	MIT400/2	MIT405/2	MIT410/2	MIT415/2	MIT417/2	MIT420/2	MIT430/2
MIT400/2 series instrument	MIT400/2	MIT405/2	MIT410/2	MIT415/2	MIT417/2	MIT420/2	MIT430/2
Hard carry case	■	■	■	■	■	■	■
Soft carry case							
Red/black test lead set with clips	■	■	■	■	■	■	■
Red/Green/Black test lead set							
Red/Blue/Black 2.5 kV test lead set							
AA (LR6) batteries fitted	6	6	6	6	6	6	6
Warranty card	■	■	■	■	■	■	■
Calibration certificate	■	■	■	■	■	■	■
Owners CD manual	■	■	■	■	■	■	■
Quick start guide	■	■	■	■	■	■	■
SP5 remote switched probe		■	■	■	■	■	■
Download Manager software CD							■

	MIT481/2	MIT485/2
MIT480/2 series instrument	MIT481/2	MIT485/2
Hard carry case	■	■
Soft carry case		
Red/black test lead set with clips		
Red/Green/Black test lead set	■	■
Red/Blue/Black 2.5 kV test lead set		
AA (LR6) batteries fitted	6	6
Warranty card	■	■
Calibration certificate	■	■
Owners CD manual	■	■
Quick start guide	■	■
SP5 remote switched probe	■	■
Download Manager software CD		■

	MIT2500
MIT 2.5 kV series instrument	MIT2500
Hard carry case	■
Soft carry case	
Red/black test lead set with clips	■
Red/Green/Black test lead set	
Red/Blue/Black 2.5 kV test lead set	■
AA (LR6) batteries fitted	6
Warranty card	■
Calibration certificate	■
Owners CD manual	■
Quick start guide	■
SP5 remote switched probe	
Download Manager software CD	■

#### IMPORTANT -

To extend your warranty to 3 years, please register your Instrument at [www.megger.com](http://www.megger.com) within one month of purchase.

## 4. Preparations for use (all instruments)

---

### 4.1 Batteries

The Megger MIT400/2 series instruments are supplied with batteries fitted. When batteries become exhausted, refer to section 15 for battery replacement.

**Warning: Do not switch the instrument on or connect test leads with the battery cover removed.**

### 4.2 Preliminary test lead check

#### Functional verification

1. Before each use of the instrument visually inspect the test leads, prods and crocodile clips to confirm that their condition is good, with no damaged or broken insulation.
2. Check continuity of the test leads by firmly shorting the leads together and read the test lead resistance measurement directly from the display, which should be less than 1.0  $\Omega$ .

#### Note: Supply voltage

This instrument is designed for use on isolated (dead) circuits. Prior to any testing and using an approved method, ensure the circuit to be tested has been fully disconnected and is securely isolated from the supply prior to using the instrument.

# 5. Instrument overview



















## 5.1 General functions

### 5.1.1 Rotary knob position:






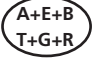






Test functions are selected by turning the rotary knob from the OFF position to the desired function. The display will show the initial screen for that function.

Press a black keypad button to change the test mode from the standard measurement, or to select the Backlight and Buzzer ON/OFF.

The rotary knob should always be returned to the OFF position after use. Do not rely on the AUTO OFF function as this unnecessarily wastes battery life.

	Instrument OFF – no live circuit warning		Capacitance measurement ( automatic)
	Trms Voltage AC/DC		Insulation test lock - Press  and  to LOCK test ON
	Insulation test range – Press & hold  button		Start insulation test Press & HOLD to start INSULATION test
	Insulation test range with gate*– Press & hold  to enable range when selecting test function with rotary knob (* where available)	 + 	Nulls test lead resistance to 0.00Ω when leads short circuit
	Continuity measurement from 0.01Ω to 999 kΩ (automatic)		Enter SETUP configurator (use   and  to adjust settings)

### 5.1.2 Keypad button functions:

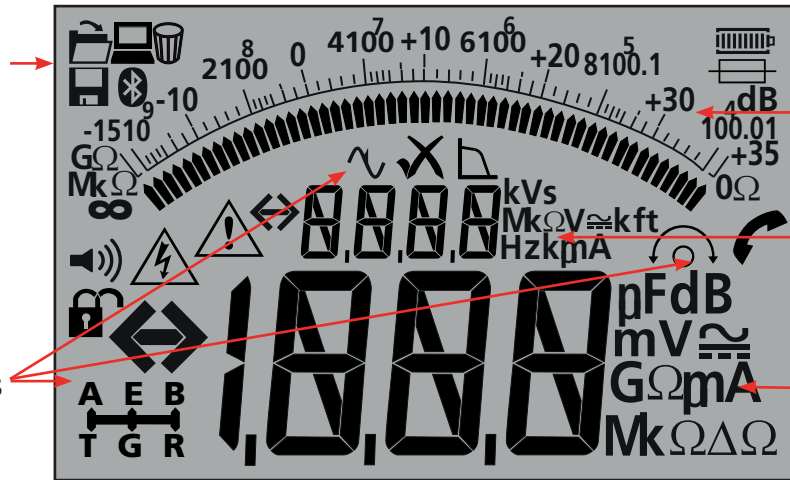
	Selects AC-Trms or DC mode		SETUP – Select setup function
	Insulation testing - Selects DAR, PI, Timed test (t) or standard measurement (INS)		SETUP – Change function value
	Insulation testing – Press during test for; leakage (uA), test voltage (V) or timer (t)		Swaps measurement connection between A-B, A-E & B-E (T-R, T-G & R-G)
	Buzzer ON/OFF – not warning functions		Continuity testing – Press after “Continuity measurement” to make “difference measurement”
	Backlight ON/OFF		Insulation testing – Measures REN value during insulation test
	SETUP – Change setup value / After test – SAVE result		Capacitance testing – Measures REN value during capacitance test



## 5.2 Display contents

Storage and downloading symbols

Warning and Advisory symbols



Analogue arc and pointer

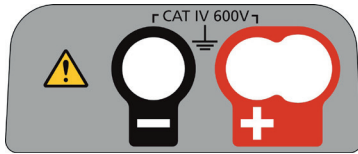
Secondary digital display

Main digital display

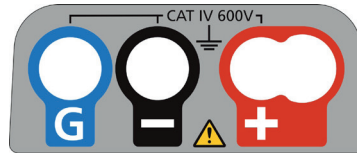
Symbol	Description	Symbol	Description
GΩ, MΩ, kΩ, Ω, V, mV, A, mA, Hz, nF, uF	Units of measurement	X ✓	Measurement FAIL / PASS
↔ 1000.0	Primary digital readout	A E B T G R	3 Terminal selection status
↔ 000.0	Secondary digital readout	↻	REN measurement function enabled
	Analogue readout with needle		Transfer data to PC
	Buzzer is enabled		Save test measurement to memory
	Lock enabled / disabled		Test result recall to screen
	Hazard voltage warning		Delete test results
	Warning - Read user manual		Bluetooth® enabled
	Lead Null is enabled		Battery condition
	Difference between two ohms measurements		Fuse fail warning

## 5.3 Terminal Overview

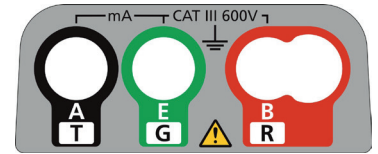
2 terminal connection



2 terminal connection  
+ Guard



3 terminal connection



## 6. General operating instructions

---

### Safety note:

**If greater than 25 V appears on the circuit under test the instrument will default to a voltage measurement and display the supply voltage.**

On supply voltages over 50 V the instrument will be prevented from performing an insulation test, protecting your instrument from damage.

**Note: This limit is increased on MIT481/2 and MIT485/2 to 75 V, but a warning buzzer will indicate voltages above 50 V.**

Use extreme care when using or measuring voltages above 30 V, particularly in high energy systems.

Fused test leads are available as an optional accessory for local situations where increased protection is required.

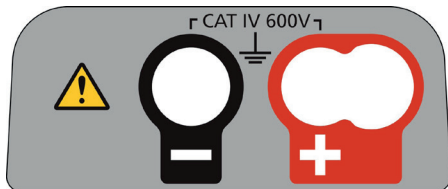
**Hazardous voltages can exist on the insulation test range all the time the [TEST] button is locked down.**

# 7. Input terminals

Test leads connections are as indicated in below, which shows the test lead sockets at the top of the instrument, as well as the switched probe socket and test lead.

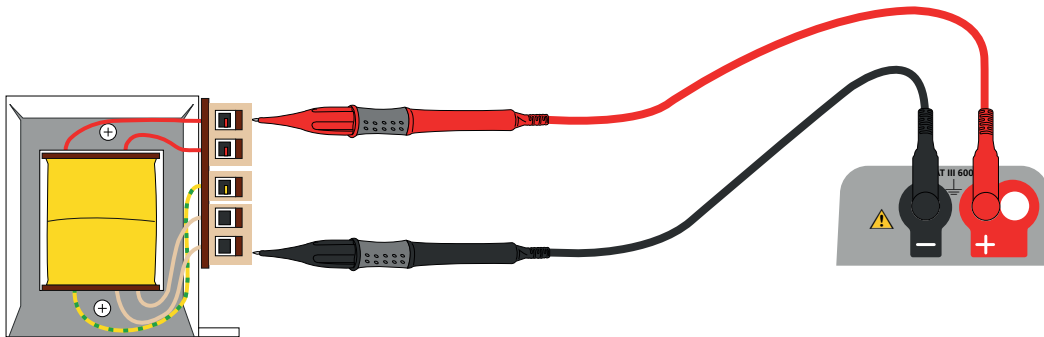
## 7.1 2 terminal test lead connection

Terminal layout - 2 terminal instruments:



- Figure 1

2 terminal connection examples:



- Figure 2

For two terminal instruments (Fig 1), the Red and Black test lead set should be connected to the appropriate sockets on the top of the instrument marked + and -, respectively. (see figure 1 ).

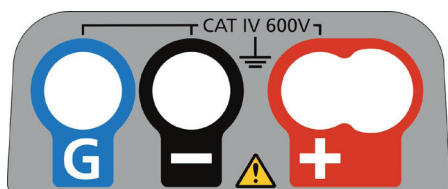
The RED terminal accepts the standard RED test lead or the Switch Probe lead where supplied.

## 7.2 2-terminal + Guard (MIT2500)

The MIT2500 is fitted with a GUARD terminal. The GUARD terminal is used to conduct leakage currents away from the measured circuit to reduce errors.

The GUARD terminal is ONLY used for insulation testing. Refer to Section 9

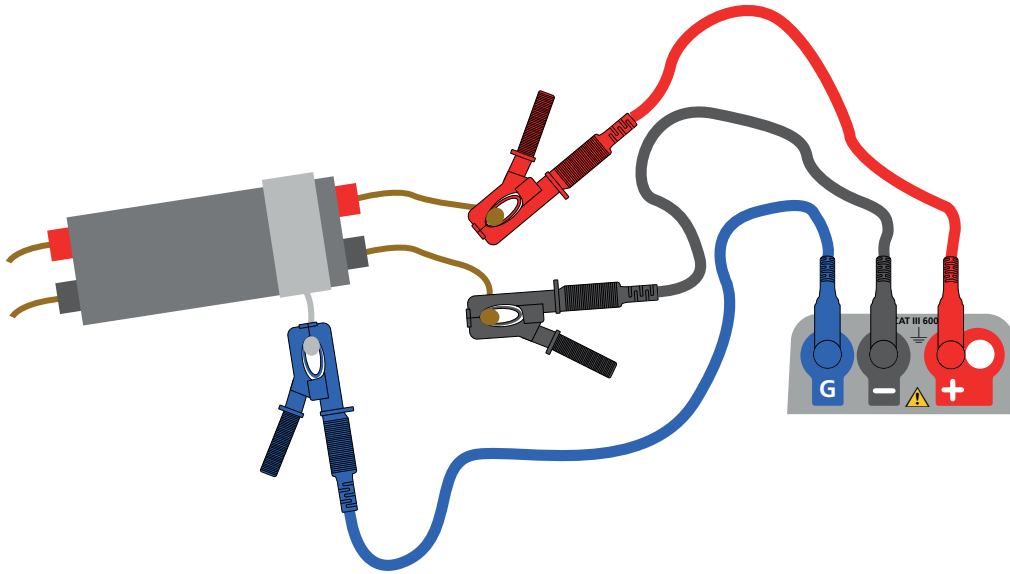
Terminal layout - 2 Terminal instrument + GUARD:



- Figure 3

For instruments with connection (figure 3) above, the Red / Black test lead set should be connected to the appropriate sockets on the top of the instrument marked + and -, respectively. (see figure 3 ).

2 terminal + Guard connection example:



- Figure 4

The GUARD lead (G) - refer to section 9 Insulation testing. is optional. When used it should be connected to the GUARD conductor, screen, steel wire armoured conductor, or "user added" conductive wire or wrapper, such as foil. This "GUARD" conducts the unwanted surface or "leakage current" away from the measured conductors.

### 7.3 3 terminal test lead connection

Three terminal connection provides measurement between the 3 pairs of a telecommunication cable (A-B, A-E & B-E) or between single or three phase conductors (L-N, L-E, N-E) and (L1-L2, L1-L3 & L2-L3).

Alternatively, only a single pair can be used (default Red and Black) for conventional 2 wire measurement.

#### 7.3.1 How 3 terminal connection works

The 3 terminal connections allow measurements to be made across any 3 terminals:

A-B, A-E or B-E (T-R, T-G, R-G)

This reduces the number of connections necessary to a circuit, especially where live working has been authorised. Once all three leads are connected, measurements between the three terminals can be made.

For example:

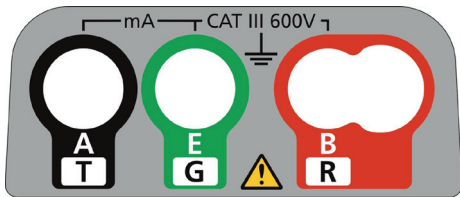
Electrical testing:

- Where two conductors need to be measured to a screen or shield
- Where Live, Neutral and Earth need measuring
- Comparing continuity of conductors to a ground terminal for difference measurements
- Testing centre tapped electrical installations.

Telecommunications:

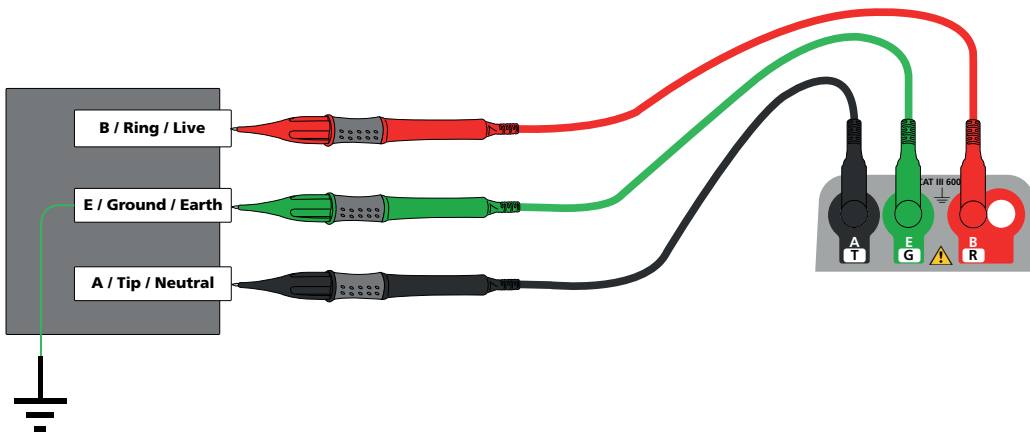
- Testing voltage, continuity and Insulation between A, B and E or Tip Ring and Ground, without having to disconnect test leads.

Terminal layout - 3 Terminal instrument:



- Figure 5

3 Terminal connection example:



- Figure 6

### 7.3.2 3 terminal operation:

By pressing the A-E-B button on the keypad the active measuring pair on the Instrument changes as per the indication on the display, as below:



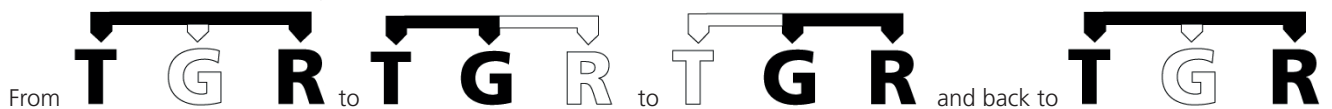
- Figure 7

With each press, the display will change from:



- Figure 8

Or, if 'T-G-R' is enabled in setup:



For example, in VOLTS mode, the voltages on the A-B pair, the A-E pair or the B-E pair can all be measured without having to disconnect the test leads from the A, B and E conductors.

---

For electrical applications the test leads can be connected to Live (B), Neutral (A) and Earth (E) and the voltages measured and stored without having to disconnect the test leads from the three conductors.

Test probes and crocodile clips are supplied for connection to the circuit under test.  
Fused test leads are available as an optional accessory.

#### **7.4 SP5 Switched probe (not MIT400/2, MIT405/2 )**

The SP5 switch probe allows the user to start a test by pressing the test button on the probe, instead of on the instrument. This allows for complete hands-free testing and increases user safety as below:

1. Connect the SP5 probe to the instrument using the special 3-pole +ve socket ( this replaces the RED test lead).
2. Select a suitable insulation resistance range.
3. Press and hold down the SP5 probe button. The instrument will start an insulation resistance test.
4. To end the test, release the probe test button.

## 8. Voltage and frequency measurements **V**

**Note: Measured voltage must not exceed 1000 V phase to earth or Phase to Phase.**

Exceeding this voltage could cause damage or electric shock hazard

Frequency measurement is not available on MIT400/2 and MIT405/2 model

**Note on TRMS measurement:** In TRMS mode the MIT will measure both AC and DC components of the supply voltage and display the Trms value. In DC mode only the DC component is measured.

### 8.1 For 2 terminal instruments and MIT2500

#### 8.1.1 AC Trms Voltage - Test procedure

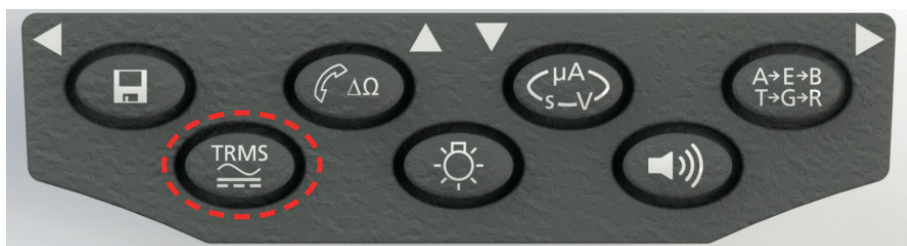
1. Connect test leads to the RED and BLACK test sockets on the instrument.
2. Select the VOLTAGE measurement mode using the range knob [ **V** ]
3. Connect the test leads to the circuit to be measured.
4. The instrument will display the voltage across the test leads, as below:



- Figure 9

#### 8.1.2 DC Voltage measurement

1. Repeat steps (1) to (4) above
2. Press the Trms AC/DC test button (below) to switch to DC measurement.



- Figure 10

The display will show a DC measurement as below:



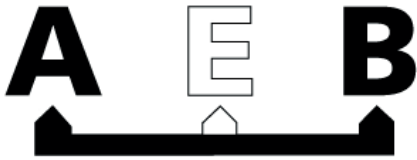
- Figure 11



## 8.2 For 3 terminal instruments (MIT481/2, MIT485/2 only)

### 8.2.1 Using 2 test leads

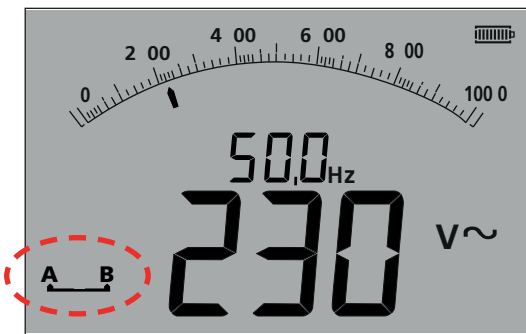
1. Ensure instrument is in the A-B mode indicated in the display, as below:



- Figure 12

For details of changing the configuration see section 7.3 - 3 terminal connections.

2. Connect test leads to the RED/BLACK (B/A) test sockets only.
3. Select the VOLTAGE measurement mode on the range knob [ **V** ] range).
4. Connect the test leads to the circuit to be measured.
5. The instrument will display the voltage across the test leads as below.



- Figure 13

**Note:** the display shows the A-B terminals are active.

6. If the display does not show the A-B option, press the A-E-B (T-G-R) button to change this mode, as below:



- Figure 14

7. With each press, the display will change from:



- Figure 15

Or, if 'T-G-R' is enabled in setup:



- Figure 16

### 8.2.2 Using 3 test leads

All three connections can be connected to the circuit under test, for example:

Electrical testing	Telecommunications USA	Telecommunications EU
A = Neutral	T = Tip	A = A
B = Live	R = Ring	B = B
E = Earth	E = Earth	E = E

The measurement should default to Live - Neutral (A-B) when the instrument is switched on.

Pressing the A-E-B (T-G-R) button will cycle through the voltages on each part of the circuit, see section 7.2.

### 8.3 Result storage

For MIT420/2, 430/2, 481/2, 485/2 and the MIT2500 the measured result may be stored (if required) by pressing the 'STORE' button for > 1sec. Refer to section 12 for further information.

**WARNING - Where the A-E-B (T-G-R) symbol disappears, a voltage is present on a pair not currently selected, Press A-E-B (T-G-R) to locate the live pair or pairs.**

# 9. Insulation resistance testing

## Safety notes:

Danger of electric shock: Insulation resistance testing is performed at high DC voltages and is hazardous if touched. Always observe the safety precautions when performing an insulation resistance test, and ensure all necessary health and safety precautions are observed.

On the MIT2500 only use the 2.5 kV test lead set on test ranges above 1 kV.

Never hold test leads when using test ranges above 1 kV.

**Circuit Isolation:** The circuit under test **must** be completely **de-energized and securely isolated before** test connections are made.

**Automatic Discharge:** Capacitive circuits are automatically discharged when the test button is released following an insulation test. This is a safety feature to prevent hazardous voltages remaining on test circuits after testing is completed.

## Live circuit detection:

Insulation tests must only be conducted on dead, isolated circuits. However, occasionally a live circuit may be connected by accident or isolated circuits have a voltage present through coupling to an adjacent circuit.

**If a voltage below 50 V appears on the circuit under test the instrument will complete a measurement.**

On circuit voltages over 50 V the instrument will sound a warning buzzer and display the circuit voltage on test ranges that are not designed to measure voltage, such as the insulation test. The instrument will be prevented from performing an insulation test. See section 13 - SETUP

**Note: The test disable limit is increased on MIT481/2 and MIT485/2 to 75 V, but a warning buzzer will indicate voltages above 30 V.**

Use extreme care when using or measuring voltages above 30 V, particularly in high energy systems.

Fused test leads are available as an optional accessory for local situations where increased protection is required. See section 13 - SETUP

**Hazardous voltages can exist on the insulation test range all the time the [TEST] button is locked down.**

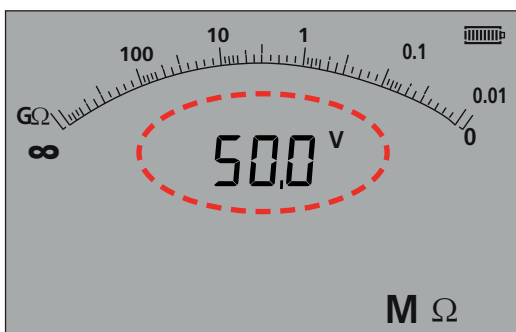
## 9.1 Measurement for 2 terminal instruments and MIT2500

**Note:** For all insulation tests up to 1000 V, the RED test lead can be replaced by the SP5 switched test probe.

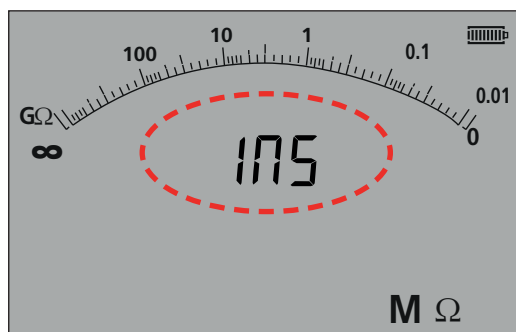
The SP5 switch probe button operates the test functions in exactly the same way as the TEST button on the instrument, but without having to look away from the equipment being tested.

### 9.1.1 Insulation testing

1. Connect test leads to the RED / BLACK test sockets on the instrument.
2. Select one of the test voltages on the insulation ( $M\Omega$ ) measurement mode using the range knob [  $M\Omega$  ]. The Instrument will display the range voltage selected in the display as below:



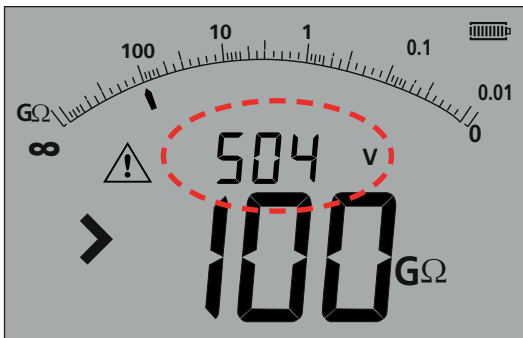
- Figure 17 MIT420I/2 and MIT430I/2



-Figure 17a MIT400I/2 and MIT410I/2

3. Connect the test leads to the circuit to be measured.

- Press the TEST button. The display will show the measured insulation value in both the analogue arc and large digital readout. The test voltage at which the measurement was made is displayed on the small digital readout, as highlighted below:



- Figure 18

- Release the TEST button on completion of the test. The instrument will now discharge the circuit, ensuring it is left in a safe condition at the end of the test.

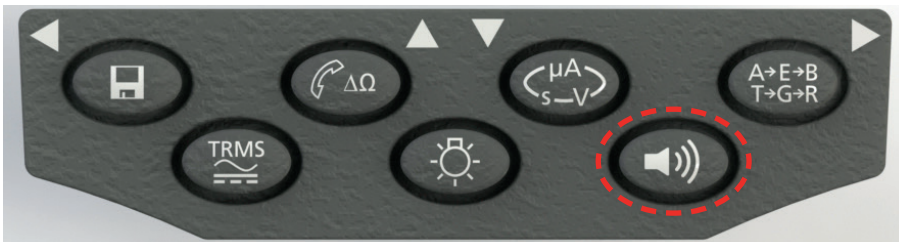
**WARNING:** Locking on the insulation test, or disconnecting the leads before the test has completed can leave the circuit in a dangerously charged condition, with risk of electric shock.

### 9.1.2 Buzzer PASS/FAIL threshold

The MIT will sound a buzzer if the measured value is greater than the threshold configured in SETUP. Refer to SETUP section 13.

### 9.1.3 Buzzer ON/OFF

The buzzer can be disabled by pressing the BUZZER button on the keypad as below:



- Figure 19

**Note:** Switching OFF the buzzer will disable the buzzer function but NOT the warning alarms.

### 9.1.4 Measurement PASS/FAIL

The display can show PASS or FAIL when the measurement is above or below the threshold in Setup when enabled. Refer to section 13 SETUP. This supersedes the test voltage display.




- Figure 20

**Note:** This function is Independent of the Buzzer ON/OFF mode.

### 9.1.5 Insulation test LOCK

To lock the insulation ON:


1. Select one of the test voltages on the M $\Omega$  measurement mode using the range knob .
2. Connect the test leads to the circuit to be measured.
3. Press and hold down the TEST button. Whilst the test is running, press the LOCK button. Release the LOCK and TEST buttons. The LOCK symbol should be displayed and the test will continue to run.

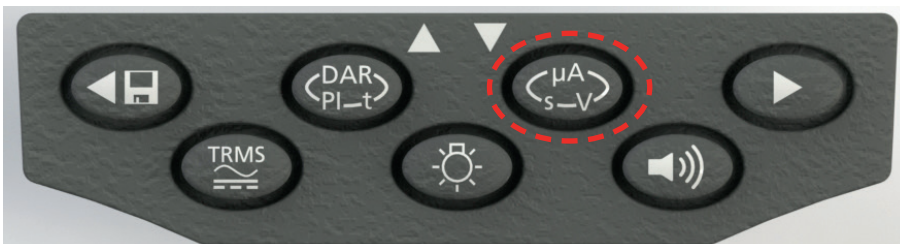
**DO NOT DISCONNECT THE TEST LEADS WHILST THE TEST IS LOCKED ON AS THE CIRCUIT CAN BE LEFT IN A CHARGED AND HAZARDOUS CONDITION.**

To unlock the insulation test, press the TEST button.

### 9.1.6 Leakage current

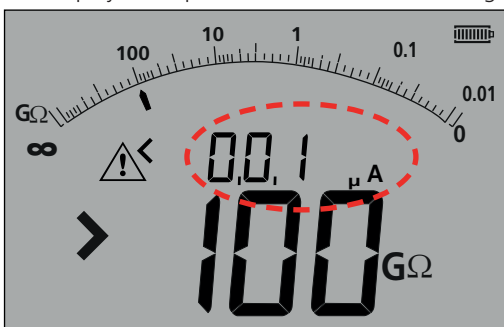
To display the insulation test value as a leakage current:

1. Select one of the test voltages on the M $\Omega$  measurement mode using the range knob [  ].
2. Connect the test leads to the circuit to be measured.
3. Press and hold down the TEST button. Whilst the test is running also press the uA/s/v button as shown below:



- Figure 21

The display will replace the insulation test voltage with the leakage current during the insulation test, as below:



**Note:** Smaller readout displays leakage current.

- Figure 22

4. Press the uA/s/v button again to return to test voltage display.


### 9.1.7 500 V access (MIT481/2 and MIT485/2)

To access 500 V with a lock symbol;

1. Press and hold the red lock button
2. Turn rotary knob to 500 V
3. Release lock button

NOTE: testing on the lock range has now been enabled.

## 9.2 Variable voltage insulation testing (MIT430/2, MIT485/2, MIT2500)

The MIT430/2, MIT485/2 and MIT2500 have a variable voltage mode of insulation testing. Indicated by the symbol . The voltage can be selected between the bottom and top test voltages on the instrument. This value can be changed in 1V increments to 100 V and 10 V increments above 100 V. The test voltage is configured in SETUP, see section 13.

All insulation test functions work for this test mode as they do for a standard test voltage. Measurement range and accuracy is as per the lower standard test voltage, for example

- Range and accuracy @ 76 V = 50 V test range accuracy
- Range and accuracy @ 350 V = 250 V test range accuracy

The set voltage is retained when the instrument is switched off.

## 9.3 Polarisation Index (PI) and Dielectric Absorption Ratio (DAR) (MIT410/2, MIT420/2, MIT430/2, MIT2500, MIT415/2 and MIT417/2)

These are fully automatic tests that require no user intervention after the test has started.

Three types of timed test are possible:

### (a) Standard count down timer (t)

Timed tests are performed after a timed period defined by parameter 't' (also refer to SETUP section 13)

### (b) Polarization Index (PI)

PI is the ratio between the insulation resistance values recorded at 1 minute (assigned t1) and at 10 minutes interval (assigned t2). i.e. after 1 minute and 10 minutes.

$$PI = 10 \text{ minute value} / 1 \text{ minute value}$$


### (c) Dielectric Absorption Ratio (DAR)

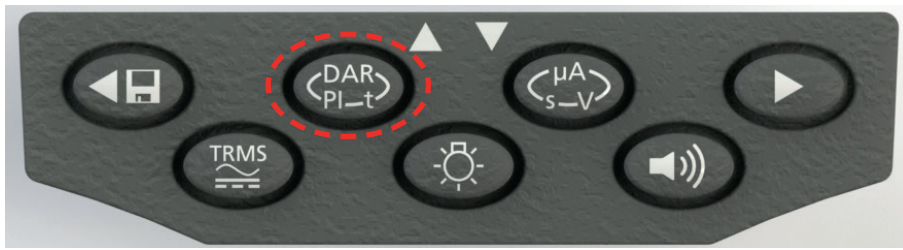
DAR is the ratio between the insulation resistance values at 30 seconds (assigned t1) and at 60 second interval (assigned t2). i.e. after 30seconds and 60seconds.

$$DAR = 60 \text{ second value} / 30 \text{ second value}$$

During all insulation tests the symbol  will flash indicating that a test voltage is present.

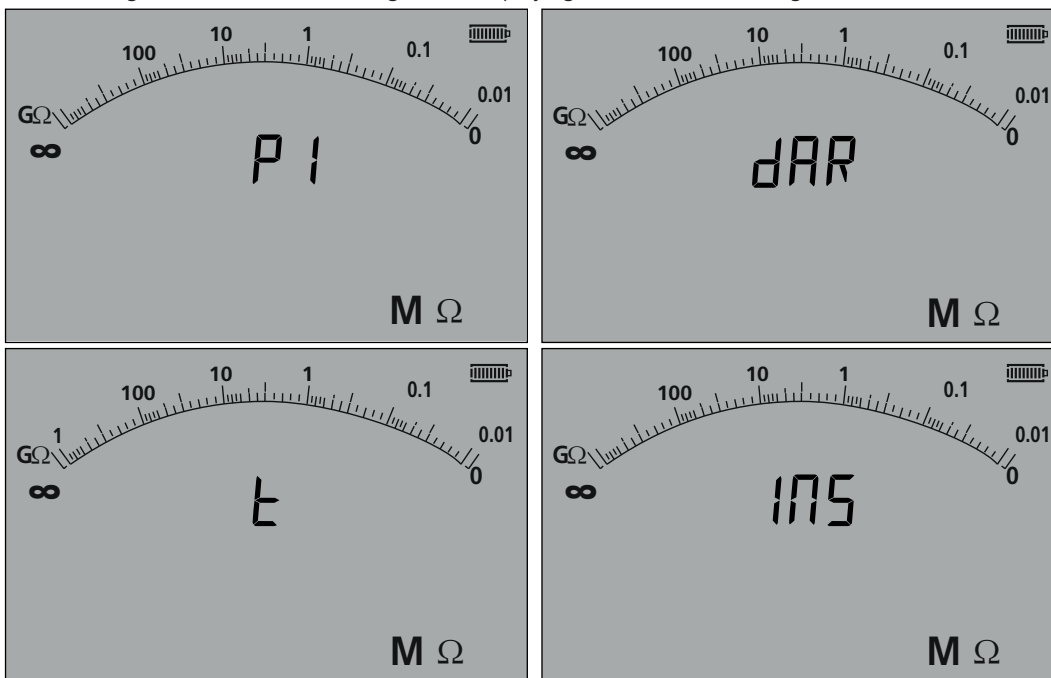
### 9.3.1 DAR,

1. Select one of the test voltages on the MΩ measurement mode using the range knob [  ].
2. Connect the test leads to the circuit to be measured.
3. Press the DAR-PI-T button on the keypad as below:



- Figure 23

The small digital readout should change from displaying the selected test range (in Volts) to PI, to DAR, T and INS, as below:



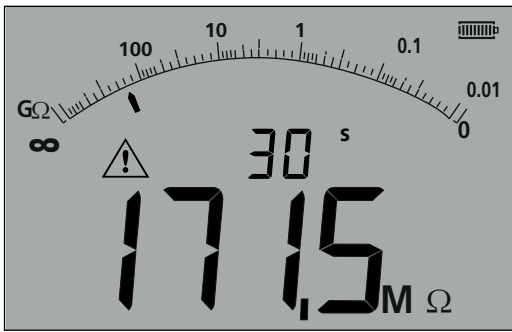
- Figure 24

4. Select the DAR function.
5. Press and release the TEST button to start the test. The display will show a count-down timer and the current insulation value, as above:



- Figure 25

At the first measurement interval the MIT will display the measured value and log this in temporary memory.



**Note:** At 30 seconds the measurement is logged internally. This value is not stored in memory unless the "SAVE" button is pressed AFTER the DAR measurement is complete. See section 9.3.3.

- Figure 26

At the end of the test period the MIT will make a second measurement and display the results as a ratio of the 1st and 2nd measured values, as below:



**Note:** Second measurement is logged at 0 seconds. Again, this is not stored in memory unless the "SAVE" button is pressed at the completion of the test, see section 9.3.4


- Figure 27

### 9.3.2 Polarisation Index

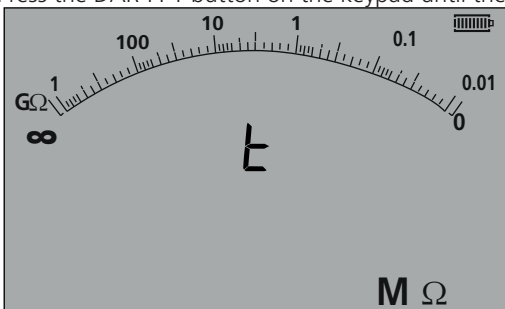
The same method as in 9.3.1 above is used. Only the test times change.

### 9.3.3 Timed tests:

Timed tests run a countdown timer and make a measurement at the end of the timed period.

1. Select one of the test voltages on the MΩ measurement mode using the range knob .
2. Connect the test leads to the circuit to be measured.

Press the DAR-PI-T button on the keypad until the display show "t" on the small digital readout, as below:



- Figure 28

3. Press the TEST button. A count down from the limit configured In the SETUP menu will start. At the end of the count down, the MIT will make a measurement and display the result as a resistance.



### 9.3.4 Storing Insulation test results

For MIT420/2, 430/2, 481/2, 485/2 and the MIT2500 At the end of the measurement, press the STORE button on the keypad. The results will be stored in memory. For details of stored results refer to the STORAGE/DOWNLOAD section 12.

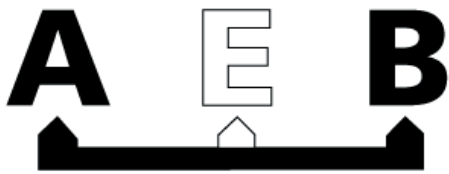
## 9.4 For 3 terminal instruments (MIT481/2, MIT485/2 only)

Insulation tests can be made using the three terminal, for example terminal connection, or just two terminals. As default, the measurement is made across the RED/BLACK (B-A) pair, but can be changed, as below:

### 9.4.1 Using 2 test leads on a 3 terminal instrument

A measurement can be made across any of the three pairs, as long as the pair is displayed in the screen.

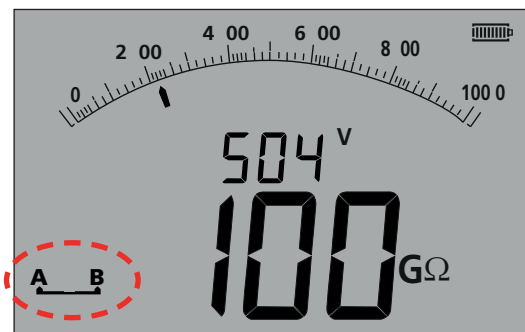
1. Ensure instrument is in the A-B mode indicated in the display, as below:



- Figure 29

For details of changing the configuration see section 7.3 - 3 terminal connections.

2. Connect test leads to the RED/BLACK test sockets only.
3. Select one of the INSULATION measurement voltages on the range knob **MΩ**.
4. Connect the test leads to the circuit to be measured.
5. The instrument will display the voltage across the test leads as below.
6. If the display does not show the A-B option, press the A-E-B (T-G-R) button to change this mode.



- Figure 30

7. With each press, the display will change from:



- Figure 31

Or, if 'T-G-R' is enabled in setup:



- Figure 31a

## 9.4.2 Using 3 test leads

All three connections can be connected to the circuit under test, for example:

Electrical testing	Telecommunications USA	Telecommunications EU
A (T) = Neutral	T = Tip	A = A
B (R) = Live	R = Ring	B = B
E (G) = Earth	E = Earth	E = E

The measurement should default to Live - Neutral (B-A) when the instrument is switched on.

Pressing the A-E-B (T-G-R) button will cycle through the voltages on each part of the circuit, see section 7.2.

## 9.5 ESD testing mode (MIT415/2)

The MIT415/2 can be configured in SETUP to display an analogue arc with  $10^4$ ,  $10^5$ ,  $10^6$  etc on the analogue arc rather than the  $k\Omega$ ,  $M\Omega$ ,  $G\Omega$ .

The mode also enables a PASS/FAIL limit bar, which stops at  $10^6$  to indicate a PASS threshold without setting a limit alarm.

A limit alarm can also be set in SETUP if required.

### 9.5.1 Testing in ESD mode

To enable the ESD mode, refer to SETUP section 13.

1. Connect test leads to the RED/BLACK test sockets only.
2. Select one of the INSULATION measurement voltages on the range knob [ **M $\Omega$**  ] range.
3. Connect the test leads to the appropriate test weights and place the test weights on the surface of the material to be measured, as per the relevant test standard requirements.
4. Press and hold the test button. The instrument will display the resistance across the test leads as below:



- Figure 32

#### Notes:

To LOCK the insulation test ON, see section 9.1.5.

### 9.5.2 Leakage current display

Whilst the test is running it is possible to display the leakage current rather than the test voltage in the smaller digital readout.

To display the LEAKAGE CURRENT during the test, see section 9.1.6

---


## 9.6 REN mode

REN measurement is available on two measurement modes, the capacitance mode and 100V Insulation mode. The difference is that the Capacitance uses a low voltage test (typically 4V) and the insulation test uses a high voltage test (100V).

BOTH measurements return a capacitance value when the Telephone button is pressed, displaying the capacitance of the circuit on the large display and the REN count on the small display.

The REN value can be adjusted in SETUP if necessary using the "HuF" setup option.

To make a REN measurement:

1. Select either CAPACITANCE or 100V INSULATION range.
2. Perform the measurement as in the relevant section in this user guide.
3. Press the REN telephone button . The display will show a calculation or the REN number based on the result of the measurement.

**Note:** Selection of the method depends on circuit design. A known circuit should be tested to establish which method is applicable to the type of installation being tested.

## 10. Continuity testing $\Omega$

Continuity testing operates over the range 0.01 ohms to 999 kohms.

The MIT will auto-range across the full range from 0.01 ohm to 1 Mohm.

The analogue arc will auto range as below:

0 - 10 Ohm	0 - 100 Ohm
0 - 1000 Ohm	0 - 1000 kOhm

Test current automatically adjusts for the range selected by the instrument. Test currents adjust as below:

0.01 to 3.99 Ohms	= 200 mA (or 20 mA depending on settings - see section 13 SETUP)
4.00 to 999 kOhms	= 20 mA to 2 $\mu$ A

The test operates at 4.5Vdc and is a single polarity test by default, as below, but can be set to a bi-directional test in setup, see also section 13 below.

ie Red terminal = 4.5 Vdc, Black terminal = 0 Vdc

The continuity test is automatic. The test starts on detection of a circuit of <1 Mohm.

### 10.1 Measurement for 2 terminal instruments and MIT2500

#### 10.1.1 Continuity testing $\Omega$

1. Connect test leads to the RED/BLACK test sockets on the instrument.
2. Select the  $\Omega$  measurement mode using the range knob.
3. Connect the test leads to the circuit to be measured. The instrument will check for a live circuit prior to making a measurement.
4. On circuits of less than 1.0 Mohm, measurement starts automatically. The display will show the continuity value in both the analogue arc and large digital readout. The test current at which the measurement was made is displayed on the small digital readout, as highlighted below:



- Figure 33

## 10.2 Single or bi-directional testing

The default setting is for a single direction continuity test. This can be changed to a bi-directional test in SETUP. [see section 13.](#)

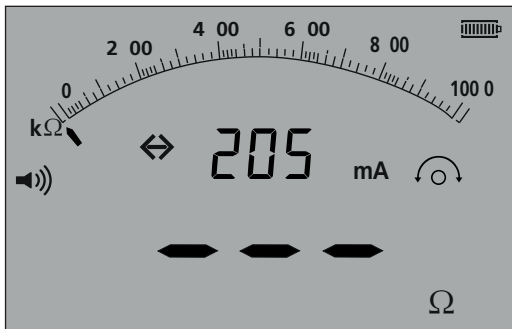
First test: Red terminal = 4.5Vdc, Black terminal = 0Vdc  
Second test: Red terminal = 0Vdc, Black terminal = 4.5Vdc

As with the single test, the Bi-directional test the measurement is automatic. The measurement displayed is the higher of the two directional measurements.

Polarity of the primary result is shown in the display as an arrow:

-> = Forward polarity  
<- = reverse polarity

Both the single and bi-polar tests are automatic, starting as soon as the test leads contact the circuit to be tested.



- Figure 34

### 10.2.1 Entering bi-directional mode

1. Refer to section 13.1 - SETUP REV=ON
2. Display will show <- and -> as the measurement changes polarity.

NOTE: When enabled, the buzzer will sound and stop the bi-directional test. To resume bi-directional testing, press the buzzer button.

## 10.3 Test lead NULL

Enabling the lead NULL value

The test lead resistance can be removed from the displayed measurement. This "Null" is restricted to 9.99 Ohms

The "Null" value is retained when an instrument is switched off.

It is recommended the "Null" value is checked or re-nulled periodically as the resistance of test leads and/or their connections can change over time or after disconnection and reconnection.

1. Whilst in continuity mode, short the test leads together.
2. When the value settles, press the TEST button. The MIT will subtract the value of the test leads for all future measurements, until the NULL value has been removed.

The NULL symbol  $\text{⓪}$  will be displayed when the NULL function is active.

Typical test lead values per pair:

- Standard unfused 1.2m test leads = 0.05 ohm
- 10A fused 1.2 m test leads = 0.07 ohm
- 500mA Fused 1.2m test leads = 1.80 ohms

These are only a guide and can change significantly between manufacturers.

## Removing the lead NULL value

1. With the test leads open circuit, press the TEST button. The null value should disappear and the display should show the test lead resistance.

## 10.4 Buzzer PASS/FAIL threshold

The MIT will sound a buzzer If the measured value is less than the threshold configured in SETUP. Refer to SETUP section 13.

## 10.5 Buzzer ON/OFF

The buzzer can be disabled by pressing the BUZZER button on the keypad as below:



- Figure 35

Note: This will disable the buzzer sound but NOT the warning alarms

## 10.6 PASS / FAIL limit alarm

A Pass/Fail threshold can be configured in setup, such that the buzzer sounds when the value is below a selected value. This value is stored in SETUP and retained until it is modified by the user or the instrument is reset to factory defaults.

The display will show a TICK or CROSS when the measured value is below or above the threshold set.



- Figure 36

## 10.7 Test current - 20 mA / 200 mA

The continuity test current can be changed from 200 mA to 20 mA where extended battery life is the priority, refer to section 13 - SETUP (ISc)

## 10.8 Measurement for 3 terminal instruments

See section 7.3


---

## 10.9 Visual fast continuity (Silent buzzer) mode

This function sets the MIT481/2 and MIT485/2 into silent mode, but retains the PASS/FAIL option and displays the PASS threshold as per the "Buzzer" mode.

The display also shows the addition of a cross (X) or a tick (✓) if the result is a FAIL or a PASS, replacing the BUZZER threshold alarm.

To enter "Silent Buzzer" mode

1. Select the continuity ( $\Omega$ ) range
2. Press the buzzer button twice. The display will now show a buzzer icon without the curves  and show a cross or tick depending on the value being measured.
3. To disable the "Silent Buzzer" mode, press the BUZZER button.

## 10.10 REL mode

REL (relative resistance measurement) works by logging a measured value then displaying the difference compared to the subsequent measurement.

REL operates on circuit resistances above 100ohms

To make a REL measurement:

1. Select the continuity ( $\Omega$ ) range
2. Make a measurement on a circuit above 100  $\Omega$ .
3. Press the  $\Delta\Omega$  button. The measured value transfers to the small digital display. The large display now shows the difference ( $\Delta\Omega$ ) value
4. Make another continuity measurement. The display will show the difference between the two values.
5. To clear the REL value press the  $\Delta\Omega$  button again

**Note:** The REL function works across all three terminal configurations.

# 11. Capacitance measurements

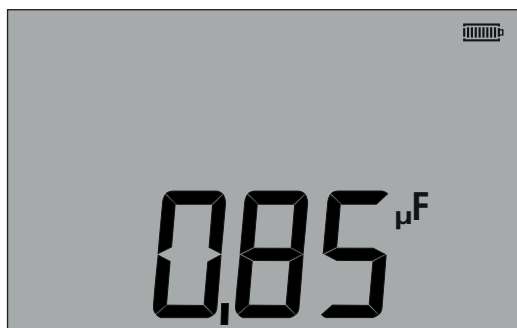
## (Except MIT400/2, MIT410/2)

The MIT400/2 and MIT410/2 can measure circuit or component capacitance.

The test is automatic and starts the test immediately on connection of a circuit. If capacitance is large the circuit can take time to charge. During this charge time the display will show "- - -". On completion of the test the display will show the measured capacitance, and under range symbol "0.1 nF" or an over range symbol ">10uF".

### 11.1 Capacitance measurement procedure (2 terminals)

1. Connect test leads to the RED/BLACK test sockets on the instrument.
2. Select the uF measurement mode using the range knob.
3. Connect the test leads to the circuit to be measured. The instrument will check for a live circuit prior to making a measurement.
4. The display will show the capacitance value of the circuit or component under test, as below:



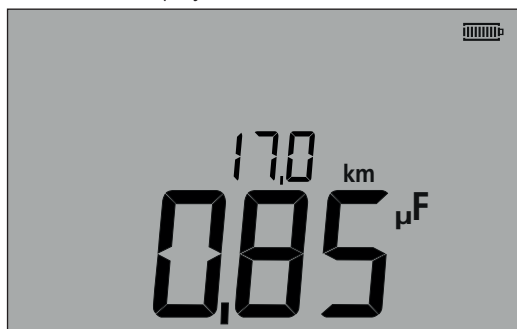
- Figure 37

### 11.2 Distance measurement by capacitance

For the MIT481/2 and MIT485/2 instrument, it is possible to measure cable length by capacitance in either feet or km, depending on the SETUP status.

This is an automatic function and is calculated from the stored capacitance value based on the default value of 50 nF/km). This can be adjusted in SETUP between 40 nF/km and 70 nF/km.

The result is displayed as below:



- Figure 38

### 11.3 Capacitance measurement procedure (3 terminals)

See section 7.3



## 12. Saving, recalling and downloading test results.

(MIT420/2, MIT430/2, MIT481/2, MIT485/2 and MIT2500)

### 12.1 Saving test results

After completing any test, the result remains displayed on the screen for one minute. During this time the result may be saved in memory and recalled later.

Procedure for storing test results:

1. After completion of a particular measurement, ensure the test result is displayed on the instrument display, as below:



- Figure 39

2. Example of continuity result
3. The test result will remain displayed for one minute during which time the result may be stored.
4. Press the STORE key to record the test result.



- Figure 40

A unique identification number is allocated to each test result which is displayed for 2 seconds before returning to the test result.



- Figure 41

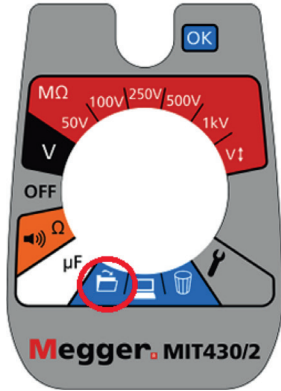
5. Result is now stored.

## 12.2 Test results recall

(MIT420/2, MIT430/2, MIT481/2, MIT485/2 and MIT2500)

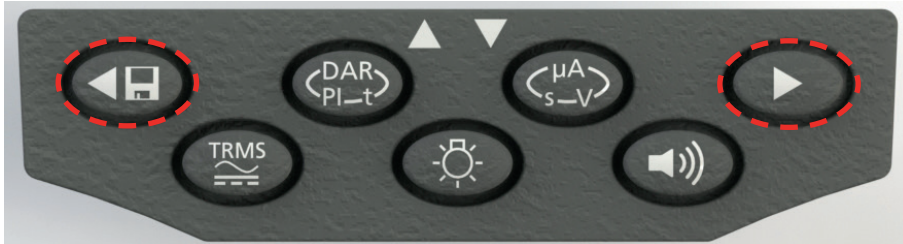
All stored test results may be recalled to the screen.

1. Turn the instrument 'ON' by rotating the selector switch to the recall (RCL) position.



- Figure 42

2. The latest unique test result identification number will be displayed. Where no results have previously been stored, the display will indicate this by three dashes.
3. Press [OK] to display last stored result, or select the particular test result identification number by using the LEFT and RIGHT buttons as below:



- Figure 43


then press 'OK' to select.

4. The test result will be displayed. Additional information stored with the test result may be viewed using the relevant button. For example on insulation test  $\mu A$  can be recalled using the  $\mu A/S/V$  key. The TRMS key will operate on voltage results.

### 12.2.1 PI and DAR recall.

Additional recall information is available if the result stored was a PI or DAR test, as the result is a ratio of two measured values.

To recall a PI or DAR result:

1. Rotate the selector switch to the recall  position and observe the latest unique test result identification number displayed.
2. Locate the particular test result identification number by using the UP and DOWN buttons, then press 'OK' to select.
3. The test result will be displayed. To scroll through the different measurements used in calculating the PI or DAR ratio, use the DOWN only button.


---

## 12.3 Deleting test results


(MIT420/2, MIT430/2, MIT481/2 and MIT485/2 only)

Stored test results may be deleted singularly or all together.

### Procedure for deleting a single test result

1. Turn the instrument 'ON' by rotating the selector switch to the delete  position.
2. The latest test result will be displayed. Where no results have previously been stored, the display will indicate this by three dashes.
3. Press 'OK' to delete the displayed test result.
4. Observe the 'new' last test result identification number, which may be deleted as previously described.

### Procedure for deleting all test results

1. Turn the instrument 'ON' by rotating the selector switch to the delete  position. The latest test result will be displayed. Where no results have previously been stored, the display will indicate this by three dashes.
2. Press the LEFT or RIGHT ARROW button. Note that the display now indicates 'ALL'
3. Press 'OK' to delete all the test results. Note, for large amounts of data the progress bar decays as the contents of memory are deleted.
4. On completion of the deletion progress the display indicates three dashes signifying that no result remains stored.

## 12.4 Downloading test results

Preparing your MIT430/2 or MIT485/2 for "Bluetooth®" Communications.

"Megger Download Manager" software and a computer with "Bluetooth®" capabilities are required to communicate with MIT430/2 and MIT485/2 instruments.

The following stages need to be implemented before the MIT can download data to a PC:

1. The MIT must be paired to a PC using a Bluetooth® wireless network.
2. Megger Download Manager software must be installed on the destination PC

Megger "Download Manager" can be installed from the supplied CD or downloaded from the Megger web site. Follow the on-screen installation instructions during installation process.

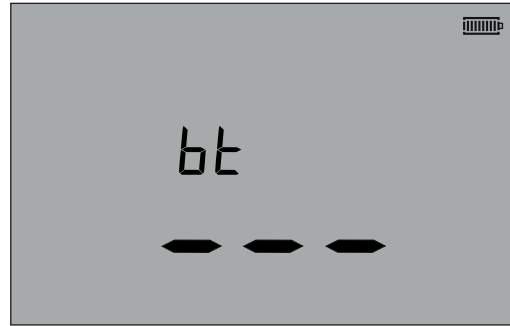
## 12.5 Procedure for pairing your MIT to the PC

1. Switch the MIT range knob to the PC position.
2. After a while, the display will show the Bluetooth® home screen. if there is a PC already being paired, the last three characters of its MAC address will be shown. If the instrument has never been paired with a PC, the display will show "---" as below:



- figure 44

Pre-paired screen



Unpaired screen

The MIT can pair with up to 12 devices, after which further pairing will over-write the currently displayed pair.

To select a different paired device from that shown, use the UP/DOWN arrow keys.

If the MIT is already paired to the PC, go to (12.6) below.

3. Press and hold the yellow TEST button for longer than 1 second to start the pairing process.

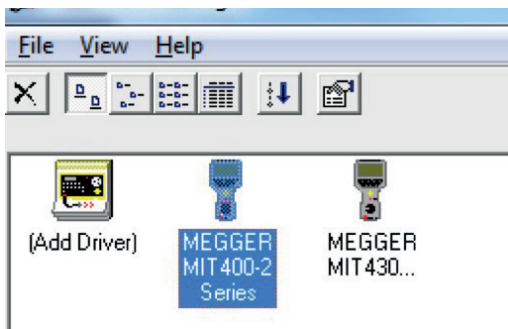


- Figure 45

4. The instrument will search for Bluetooth® devices nearby. Once the search has been completed, the partial address of the first detected device will be shown on the top part of the display and number "1", the index of it, on the bottom part of the display.
5. Use the ▲ and ▼ buttons to scroll through the partial address until one matches the Bluetooth® device ID in Download Manager (Accessed by right clicking on the MIT430 driver and selecting 'properties' then the 'Bluetooth®' tab) on PC.
6. With the required address displayed (the three digital code should match the one displayed on the properties screen on PC), pair the instrument by pressing and holding the TEST button until the "[ ]" symbols appear on the display.
7. On your PC, a message bubble may appear showing that a Bluetooth® device is trying to connect.
8. Click on this message and enter the passkey '1234' to accept the connection. When complete the instrument display will return to the Bluetooth® home screen showing the partial address of the PC being paired with.
9. Press the TEST button to send the data to the paired PC or press and hold it for longer than 1 second to do pairing again.
10. To Delete a pair, press and hold down the LOCK [OK] button for 2 seconds.

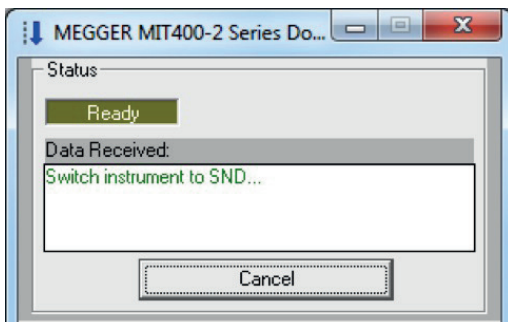
## 12.6 Downloading data to the PC

1. Ensure Download Manager is running on the PC.
2. Ensure the MIT is paired to the PC as above.
3. Select the "MEGGER MIT400-2 Series" icon in Download Manager, as below:



- Figure 46

4. Select the Blue download button. The Download dialog box will be displayed.



- Figure 47

5. Turn the MIT rotary knob to the PC position.
6. Press the TEST button on the MIT to commence the download.
7. On completion of the download the MIT will display "End". A CSV file will appear in the Download manager window. This can be opened using:
  - The Megger CSV viewer
  - A proprietary CSV viewer
  - Windows® XLS (opens with no header conversion. Consequently the headers may not be easily interpreted) as would be the case using Megger CSV viewer.

Further information on the options for Megger Download Manager can be found in the Download manager help files in the application.

## 13. SETUP Configuration options

Operator SETUP allows the MIT to be customised to suit application or operator preferences. To enter SETUP, select the spanner with the rotary knob. The following options are available:

### 13.1 SETUP navigation

1. Press the TEST button to scroll through the SETUP options.
2. When the display shows the required SETUP option, press the UP or DOWN arrows to change the value for that option. The LOCK symbol will flash to indicate the value has been changed from the saved setting.
3. Press the LOCK button to store the new value
4. When all SETUP functions have been configured to the desired values, turn the rotary knob away from the SETUP setting.

Display message	Function	Options	Factory setting
bu2	Buzzer threshold < Limit = buzz	1, 2, 3, 4, 5, 10, 20, 30, 40, 50, 100, 200	2 $\Omega$
Loc	Insulation Lock enable/disable	On = INS lock enabled OFF = INS lock disabled	On
Isc	Continuity short circuit current	200 mA = (up to 10 $\Omega$ ) 20 mA	200 mA
InS	Insulation limit alarm threshold	BM50/4, MIT410TC/3, MIT405/2, MIT415/2, MIT417/2: 0.5, 10, 20, 50, 100, 200, 500, 1000 M $\Omega$ MIT400/2, MIT410/2, MIT420/2, MIT430/2, MIT481/2, MIT485/2, MIT2500: 0.5, 1, 2, 3, 4, 5, 10, 20, 30, 40, 50, 100, 200, 300, 400, 500, 1000 M $\Omega$	0.5 M $\Omega$
SEtV	Variable insulation test voltage	MIT485/2 :- 50 V - 500 V MIT420/2 and MIT430/2 :- 50 V - 1000 V MIT2500 :- 50 V - 2500 V	10 V 10 V 100 V
t	INS count down timer	1,2,3,4,5,6,7,8,9,10 minutes	1 min.
CAb	Cable capacitance / km / miles	40 to 60 nF/km	50 nF/km 80.5 nF/mile
bLt	Backlight timer	20, 60, OFF (OFF = no auto off)	20 secs
SLt	Sleep timer	10, 20, 30, 60, OFF (OFF = no auto off)	10 mins
HuF	REN (Telephone handset) calculator	0.5, 0.6, 0.7, 0.8, 0.9, 1.0,1.1, 1.2, 1.3uF	1.0 uF
tLu	Terminal Lockout voltage	25, 30, 50, 75	50 volts
REV	Auto reversal of continuity	On/OFF	OFF
ESd	Enable the 104, 105, 106 etc display range	MIT400ESD:- On/OFF	OFF
bAt	Battery voltage	1.2 V / 1.5 V (All Models)	1.5 V
RSt	Restore factory settings	Restore	No
LAng	Display of either Tip-Ground-Ring or A-E-B LCD symbology	US, EU	US
dis	Distance by uF	m, ft	m

## 14. Technical Specifications

All quoted accuracies are at +20 °C.

### Insulation:

#### Test voltage

Nominal:  
MIT400/2 250 V, 500 V, 1000 V  
MIT410/2, 420/2,430/2 50 V, 100 V, 250 V, 500 V, 1000 V

#### Insulation accuracy

50 Volts. 10 GΩ ± 2% ± 2 digits ± 4.0% per GΩ  
100 Volts. 20 GΩ ± 2% ± 2 digits ± 2.0% per GΩ  
250 Volts. 50 GΩ ± 2% ± 2 digits ± 0.8% per GΩ  
500 Volts. 100 GΩ ± 2% ± 2 digits ± 0.4% per GΩ  
1000 Volts 200 GΩ ± 2% ± 2 digits ± 0.2% per GΩ  
Service Error: BS EN 61557-2 (2007)  
50V, ±2.0% ±2d, 100kΩ - 900kΩ ± 10.5%  
100V, ±2.0% ±2d, 100kΩ - 900kΩ ± 10.3%  
250V, ±2.0% ±2d, 100kΩ - 900kΩ ± 10.3%  
500V, ±2.0% ±2d, 100kΩ - 900kΩ ± 10.3%  
1000V, ±2.0% ±2d, 100kΩ - 900kΩ ± 11.5%

#### Display range

Analogue:  
1 GΩ full scale

#### Resolution

0.1 kΩ

#### Short circuit/charge current

2 mA +0% -50% to  
EN 61557-2 (2007) (except MIT2500: 1 mA into 2.5 MΩ)

#### Open circuit voltage insulation

-0% +2% ± 2V

#### Test current

1 mA at min. pass value of insulation to a maximum of 2 mA max.

#### Leakage

10% ± 3 digits

#### Voltage

3% ± 3 digits ± 0.5% of rated voltage

#### Timer control

60 second countdown timer

#### Note

Above specifications only apply when high quality silicone leads are being used.

### Continuity:

#### Continuity measurement

0.01 Ω to 999 kΩ (0 to 1000 kΩ on analogue scale)

#### Continuity accuracy

± 3% ± 2 digits (0 to 100 Ω )  
± 5% ± 2 digits (>100 Ω - 500 kΩ)  
(>500 kΩ - 1 MΩ unspecified)  
Service Error: BS EN 61557-4 (2007) - ±2.0%, 0.1Ω - 2Ω ± 6.8%

#### Open circuit voltage

5 V ± 1 V

#### Test current

200 mA (-0 mA +20 mA) (0.01 Ω to 4 Ω)

#### Polarity

Single polarity (Default) / Dual polarity (configurable on setup).

#### Lead resistance

Null up to 9.00 Ω

### Voltage:

#### Voltage range

AC: 10 mV to 600 V TRMS sinusoidal (15 Hz to 400 Hz)  
DC: 0 to 600 V

#### Voltage range accuracy

AC: ±2% ±1 digit  
DC: ±2% ±2 digit  
Service Error: BS EN 61557-1 (2007) - ±2.0% ±2d, 0V - 300Vac/dc ± 5.1%

#### Waveform

Unspecified range: 0 – 10 mV (15 to 400 Hz)  
For non-sinusoidal waveforms additional specifications apply  
Non-sinusoidal waveforms: ±3% ± 2 digits >100 mV to 600 V TRMS  
±8% ± 2 digits 10 mV to 100 mV TRMS

---

## Frequency:

<b>Frequency measurement range</b>	15-400Hz
<b>Frequency measurement accuracy</b>	$\pm 0.5\% \pm 1$ digit (100 Hz to 400 Hz) unspecified

## Capacitance measurement:

MIT420/2, MIT430/2

<b>Capacitance measurement:</b>	1 nF to 10 $\mu$ F
<b>Capacitance measurement accuracy</b>	$\pm 5.0\% \pm 2$ digits (0.1 - 1 nF unspecified)

## Storage:

### Result storage (MIT420/2 & MIT430/2):

<b>Storage capacity</b>	>1000 test results
<b>Data download</b>	Bluetooth® wireless Bluetooth® Class II
<b>Range</b>	up to 10 m
<b>Power supply</b>	6 x 1,5 V cells type IEC LR6 (AA, MN1500, HP7, AM3 R6HP) 6 x 1,2 V NiMH (HR6) rechargeable cells may be used
<b>Battery life</b>	3000 insulation tests with duty cycle of 5 sec ON /55 sec OFF @ 1000 V into 1 M $\Omega$ Charger (Optional): 12-15 V dc (accessory interface)
<b>Dimensions Instrument</b>	228 mm x 108 mm x 63 mm (9.00 in x 4.25 in x 2.32 in)
<b>Weight</b>	600 g (MIT400/2), (28.74 oz ) 815 g (MIT2500) (27.22 oz)
<b>Weight (instrument and case)</b>	1.75 kg (3.86 lb)
<b>Fuse</b>	Use only 500 mA (FF) 1000 V (1 OR 2 depending on variant) 32 x 6 mm ceramic fuse of high breaking capacity HBC 30 kA minimum. Glass fuses MUST NOT be fitted.
<b>Safety protection</b>	The instruments meet EN 61010- 1 (1995) to 600V phase to earth, Category IV. Refer to safety warnings supplied.
<b>EMC</b>	In accordance with IEC 61326 including amendment No.1
<b>Temperature co-efficient</b>	<0,1% per $^{\circ}$ C up to 1 G $\Omega$ <0,1% per $^{\circ}$ C per G $\Omega$ above 1 G $\Omega$

## Environmental:

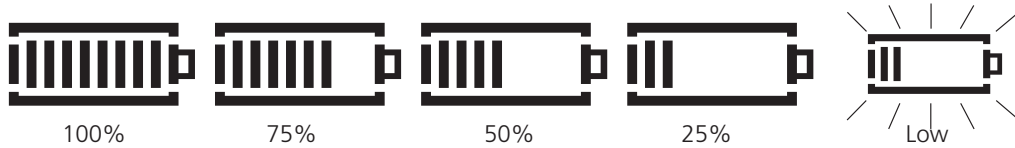
<b>Operating temperature range and humidity</b>	-10 to +55 $^{\circ}$ C 90% RH at 40 $^{\circ}$ C max.
<b>Storage temperature range</b>	-25 to +70 $^{\circ}$ C
<b>Calibration temperature</b>	+20 $^{\circ}$ C
<b>Maximum altitude</b>	2000 m
<b>IP rating</b>	IP 54



# 15. Battery and fuse replacement

## 15.1 Battery condition and replacement

The battery condition indicator is displayed at all times that the instrument is switched on, as below: 100%, 75%, 50%, 25% and low, as below:



Replacement battery types are:

- 6 x LR6 (AA), 1.5 V Alkaline,
- or 6 x 1.2 V NiMH

**WARNING: Do NOT use AA size LiON (Lithium Ion) rechargeable cells as these are 3.4 V each and could permanently damage the instrument.**

**Note:** NiMH rechargeable batteries show a lower charge than Alkaline batteries, and may not give much warning before becoming exhausted.

## 15.2 Procedure to replace batteries:

1. Switch off the instrument and disconnect the instrument from any electrical circuits.
2. Disconnect all test leads from the instrument.
3. To remove the rear cover, undo the screw on the rear of the battery cover, lift the cover off.
4. Remove the dead cells and refit new batteries, observing the correct polarity as marked on the battery compartment.
5. Replace the cover and retaining screw.
6. Dispose of the cells appropriately.

**Warning: - Incorrect battery cell polarity can cause electrolyte leakage and damage to the instrument. If the battery condition indicator does not show a full charge, a cell may be reversed.**

Charging with a reversed cell can cause localised heating and possible damage to the case.

Battery cells should not be left in an instrument which may remain unused for an extended period.

### 15.2.1 Battery Voltage

Battery voltage should be changed to 1.2 V if NiMH are used. See Section 13 Setup.

### 15.3 Blown fuse indicator

The blown fuse indicator is shown below:

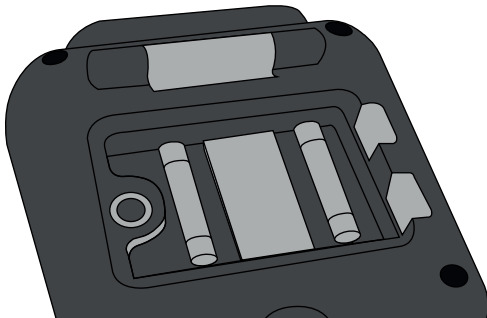


- Figure 48

This symbol operates on the continuity [ $\Omega$ ] range. The symbol indicates that one of the fuses in the instrument has failed.

### 15.4 Fuse replacement procedure

1. Switch off the instrument and disconnect the instrument from any electrical circuits.
2. Disconnect all test leads from the instrument.
3. Remove the rear fuse cover. To remove the rear cover, undo the screw on the rear of the small fuse cover and lift the cover off, as below:



- Figure 49

4. Both fuses should be checked for failure and replaced if faulty.  
A replacement fuse must be of the correct type and rating: i.e. 500 mA (FF) H.B.C.30 kA min 1000 V (32 mm x 6 mm).
5. Replace the cover and retaining screw.

### 15.5 Preventive maintenance

**The MIT400/2 series instruments require very little maintenance.**

Test leads should be checked before use to ensure there is no damage.

Ensure batteries are removed if the instrument is left unused for an extended period.

When necessary, the instrument can be cleaned with a damp cloth.

Do not use alcohol based cleaners as these may leave a residue.

## 16. Repair and warranty

---

### Repair and warranty

If the protection of an instrument has been impaired it should not be used, but sent for repair by suitably trained and qualified personnel. The protection is likely to be impaired if, for example, the instrument shows visible damage, fails to perform the intended measurements, has been subjected to prolonged storage under unfavourable conditions, or has been exposed to severe transport stresses.

New instruments are covered by a 3 year warranty from the date of purchase by the user, the 2<sup>nd</sup> and 3<sup>rd</sup> year being conditional on the free registration of the product on [www.megger.com](http://www.megger.com). You will need to log in, or first register and then login to register your product. The 2<sup>nd</sup> and 3<sup>rd</sup> year warranty covers faults, but not recalibration of the instrument which is only warranted for one year. Any unauthorised prior repair or adjustment will automatically invalidate the warranty.

These products contain no user repairable parts and if defective should be returned to your supplier in original packaging or packed so that it is protected from damage during transit. Damage in transit is not covered by this warranty and replacement/repair is chargeable.

Megger warrants this instrument to be free from defects in materials and workmanship, where the equipment is used for its proper purpose. The warranty is limited to making good this instrument (which shall be returned intact, carriage paid, and on examination shall disclose to their satisfaction to have been defective as claimed). Any unauthorised prior repair or adjustment will invalidate the warranty. Misuse of the instrument, from connection to excessive voltages, fitting incorrect fuses, or by other misuse is excluded from the warranty. The instrument calibration is warranted for one year.

This Warranty does not affect your statutory rights under any applicable law in force, or your contractual rights arising from a sale and purchase contract for the product. You may assert your rights at your sole discretion

### Calibration, Service and Spare Parts

For service requirements for Megger Instruments contact Megger or your local distributor or authorised repair centre.

Megger operates fully traceable calibration and repair facilities, ensuring your instrument continues to provide the high standard of performance and workmanship you expect. These facilities are complemented by a worldwide network of approved repair and calibration companies to offer excellent in-service care for your Megger products.

See the back of this user guide for Megger contact details.

Details of your Authorised Service Centre is available by contacting [ukrepairs@megger.com](mailto:ukrepairs@megger.com) and giving details of your location.





**MEGGER LIMITED**  
ARCHCLIFFE ROAD  
DOVER  
KENT  
CT17 9EN  
ENGLAND  
T +44 (0)1 304 502101  
F +44 (0)1 304 207342

**MEGGER MIDDLE EAST**  
PO BOX 500503 @DIC13  
OFFICE 209 BLDG 14,  
DUBAI INTERNET CITY,  
UNITED ARAB EMIRATES  
T. +971 4 443 5489

**MEGGER (INDIA) PVT LIMITED**  
211 CRYSTAL PARADISE MALL  
OFF VEERA DESAI ROAD ANDHERI (W)  
MUMBAI  
400 053  
INDIA  
T. +91 22 2674 0468  
F. +91 22 2674 0465

**MEGGER CANADA**  
UNIT 106-550  
ALDEN ROAD  
MARKHAM  
ON L3R 6A8  
CANADA  
T. 416-298-6770

**MEGGER USA - VALLEY FORGE**  
VALLEY FORGE CORPORATE CENTER  
2621 VAN BUREN AVENUE  
NORRISTOWN  
PENNSYLVANIA,  
19403 USA  
T. 1-610 676 8500  
F. 1-610-676-8610

**MEGGER GMBH**  
OBERE ZEIL 2 61440  
OBERURSEL,  
GERMANY  
T. 06171-92987-0  
F. 06171-92987-19

**OTHER TECHNICAL SALES OFFICES**

**Toronto CANADA, Sydney AUSTRALIA, Madrid SPAIN, Mumbai INDIA, and the Kingdom of BAHRAIN.**

**Megger products are distributed in 146 countries worldwide.**

**This instrument is manufactured in the United Kingdom.**

**The company reserves the right to change the specification or design without prior notice.**

**Megger is a registered trademark**

**The Bluetooth® word mark and logos are registered trademarks owned by Bluetooth SIG, Inc and is used under licence.**

**MIT4002--MIT4202--MIT4302--MIT4802--MIT2500\_UG\_en\_V04**  
**[www.megger.com](http://www.megger.com)**