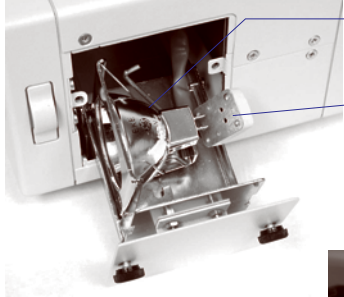


LIGHT SOURCES

FT190/115

150Watt
Quartz Halogen Light Source

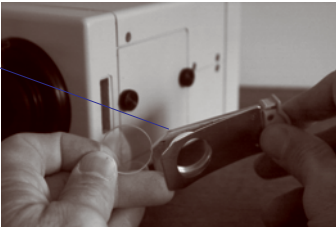
A full feature light source, easy to maintain, contemporary in design.



Lamp changes are quick and easy. The drawer folds completely out of the housing.

Rugged two prong socket for long life.

Filter Drawer accepts standard 25mm filters. (Dichroic filters are recommended).



OPTIONS

- 230V 50 cycle version, CE approved.
- Iris diaphragm to maintain color temperature.
- Wired Remote.

Specifications	US and Canada	Europe	Japan
Rated Power Output (max)	200 Watts	200 Watts	200 Watts
Output Voltage	0-21 Volts	0-21 Volts	0-21 Volts
Input voltage	120 V AC 50/60Hz	230/240 V AC 50 Hz	100 V AC 50/60 Hz
Fuse type	2,5 Amp Slow blow	2,5 Amp slow blow	2,5 Amp slow blow
Temperature Range: Operating Storage	0° to 45° C -25° to 85°C	0° to 45° C -25° to 85°C	0° to 45° C -25° to 85°C
Relative humidity, Non Condensing	5% to 95%	5% to 95%	5% to 95%
Vibration: 10-500Hz 2G 10min./cycle. Period for 60 min. Each axis.			

* -Specifications subject to change without notice

P/N	Description	Voltage/ Cycles	Lamp Type
FT190/115	150W, 120V AC unregulated light source.	115/60	EKE, EJA
FT190/115R	150W, 120V AC unregulated light source with Iris diaphragm	115/60	EKE, EJA
FT190/200	150W, 230V AC unregulated Light source; CE	230/50	EKE, EJA
FT190/100	150W, 100V AC unregulated light source with pigtail cord	100/50	EKE, EJA



FT190/115 is a full featured Microscopy light source.

FEATURES

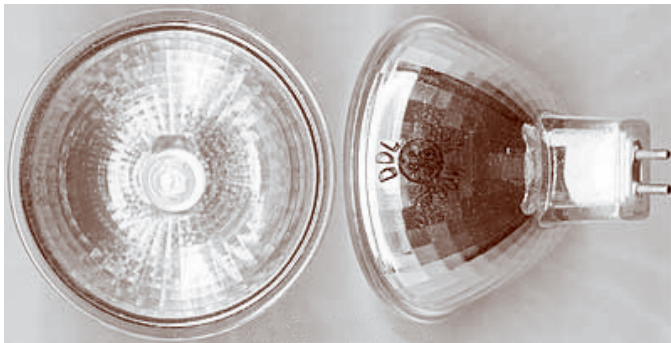
- Interchangeable EKE or extra bright EJA lamp.
 - On/off switch separate from the dimmer for maximum control and repeatability
 - Interchangeable adapter accepts all brands of fiber optic light guides.
 - 1" Bezel is very cool, and accepts oversized light guides. Also includes space for an extra 25mm filter.
 - Soft start ergonomic dimmer reduces inrush current and lengthens bulb life. Provides smooth light change from zero to 100%.
 - Separate filter drawer accepts standard 25mm diameter filters (Dicroic filters recommended)
 - No soldered connections for carefree and convenient maintenance.
 - Lamp exchange drawer folds completely out of the housing for easy bulb replacement, no tools required.
 - Private label capability .
 - 2 year warranty.
 - CSA and CE (230v version) approved.
- Overall Height: 4.75" (121 mm)
 Overall Width: 8" (205 mm)
 Overall Depth: 7" (219 mm)
 Unit Weight: 13,5lbs. (4,8 kg) including cord
 Adapter Receptacle: 1" (25.4mm) OD.
 (Fiber receptacle varies with adapter)
 MEIJI TECHNO offers a family of fiberoptic illuminators unsurpassed in quality and performance. Exceptional value, proprietary features, and a large selection of customizing options and accessories make the product family adaptable to any need.

LAMPS and ACCESSORIES

FT190/115 Replacement Parts

Accessories

P/N	Description
FT190/FUSE	Replacement Fuse
FT190/90	Filter Kit with case Blue, Tempered 25mm x 2.5mm Yellow, Tempered 25mm x 2.5mm Green, Tempered 25mm x 2.5mm Red, Tempered 25mm x 2.5mm Daylight (Light Blue) tempered, 25mm x 2.5mm



Lamp types

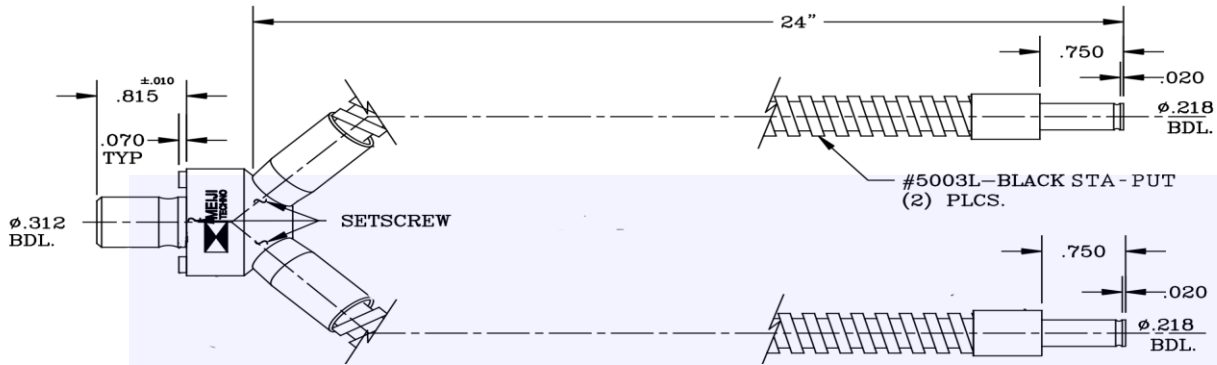
P/N	Voltage	Wattage	Description	Avg Life ** (Hrs)	Focal Distance	Spot Size	Beam Spread (NA)	Color Temp (°K)
FT190/70	21	150	EKE Projector	200	1.8-2.9"	.5-1"	*45°	3250

* - Approximate beam angle

*

MEIJI TECHNO

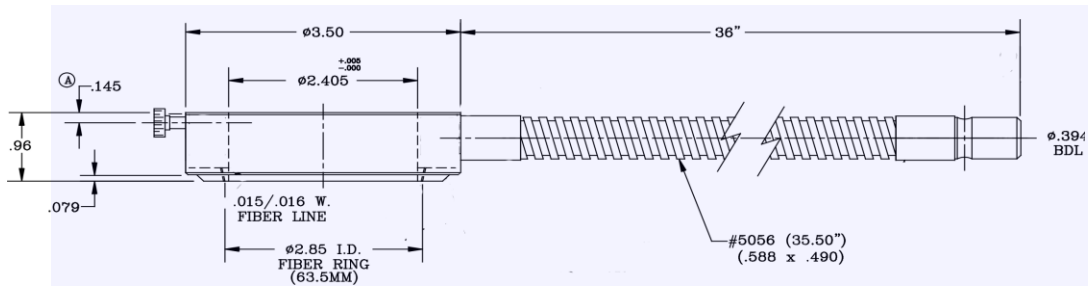
FT150 Fiberoptic Light guides & Components



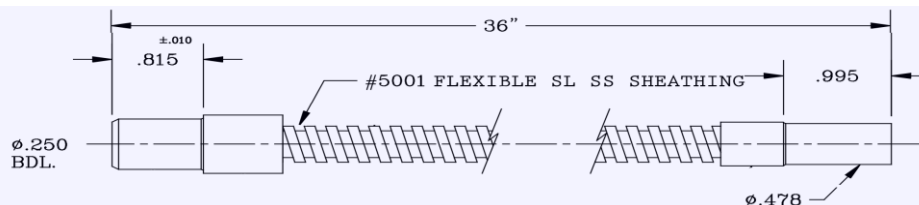
FT190/05 Dual arm repositionable gooseneck light guide with black matte sta-put and SS branch tips. Accepts optional Lens (FT190/50) and Polarizing cap (FT19085).



FT190/75 Single arm repositionable gooseneck light guide with black matte sta-put and SS branch tips. Accepts optional Lens (FT190/50) and Polarizing cap (FT19085).



FT190/10 Ring light with black hard coated aluminum body and SS endtip. 1-4" working distance. Accepts optional Lens (FT190/50) and Polarizing cap (FT19085).

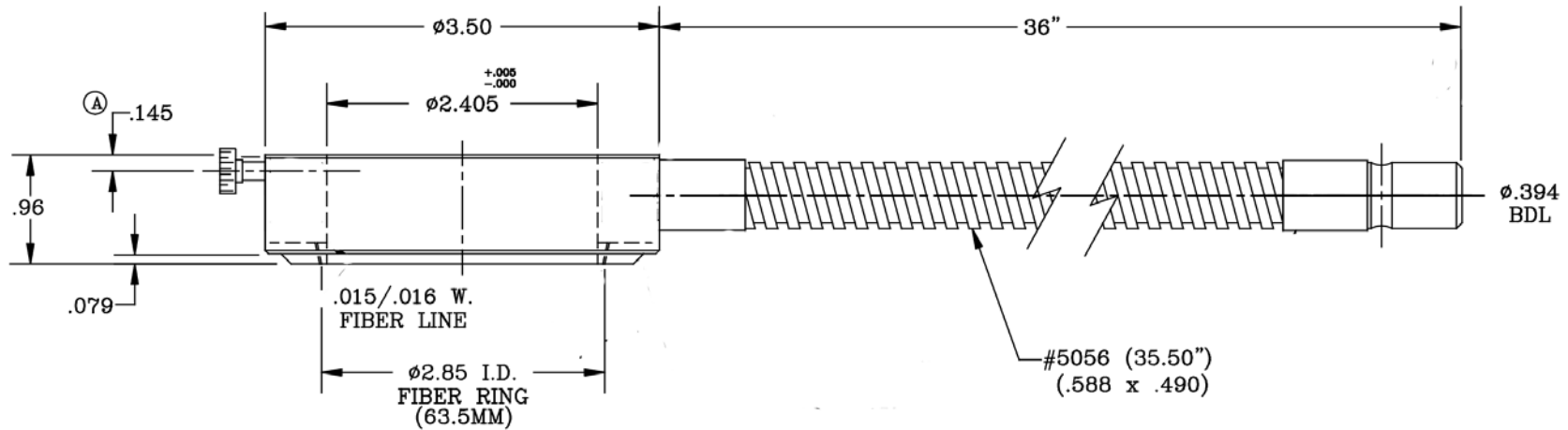
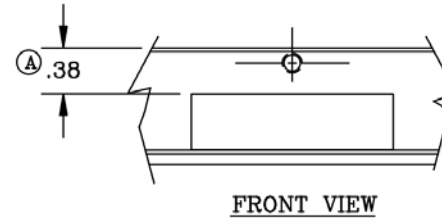
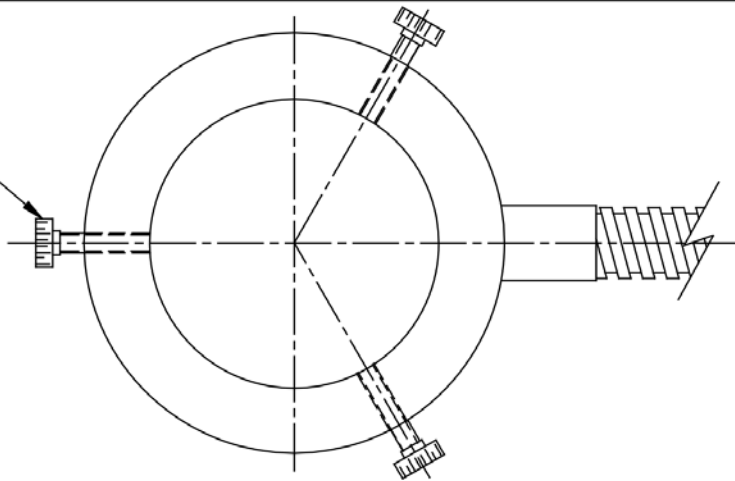


FT190/12 Single branch flexible light guide with special end tip to fit EMZ-12, EMZ-12D, EMZ-12TR, EMZ-12TRD

FTIRL18519

DATE	SYM	REVISION RECORD	AUTH.	DR.	CK.
8/25/05	A	.145 WAS .125, .38 WAS .36	AD	DPD	AD
4/04/06	B	ADDED TOL. ±.010	RM	JP	

#8-32 X 3/4"
 NYLON TIPPED
 THUMBSCREWS
 WITH NYLON TIPS
 (3) @ 120°
 (P/N 154497
 &
 P/N 10645)



NOTE: 1) USE LF5,.0015 FIBER
 W.D. 34-150"

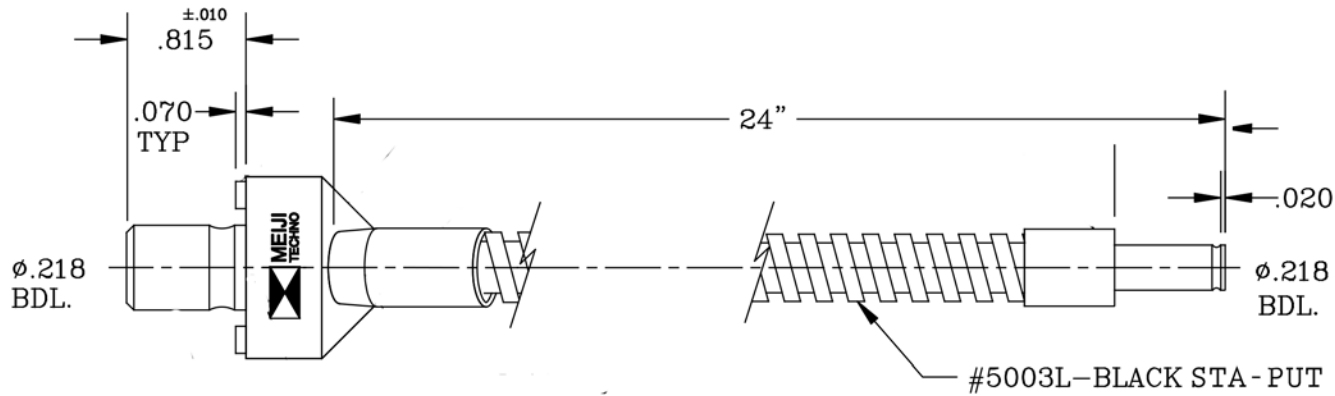
2) ENGRAVE WITH MEIJI LOGO

This drawing is the property of FIBEROPTICS TECHNOLOGY, INC. and is proprietary in general and in detail. Its contents shall not be revealed to outside parties without the written consent of FIBEROPTICS TECHNOLOGY, INC.

TOLERANCES (EXCEPT AS NOTED)		FIBEROPTICS TECHNOLOGY INC.	
DECIMAL .XXX ± .005	MEIJI	SCALE FULL	DRAWN BY DPD
DECIMAL .XX ± .010	TITLE FTI90/10 ANNULAR R.L. ASS'Y. DWG.		APPROVED BY RJM
ANGULAR ±	DATE 12/29/04	DRAWING NUMBER FTIRL18519	REV. B

FTIIG18523

DATE	SYM	REVISION RECORD	AUTH.	DR.	CK.
4/26/05	A	154809 WAS 154501		DPD	
4/04/06	B	ADDED TOL. ±.010	RM	JP	



NOTE:

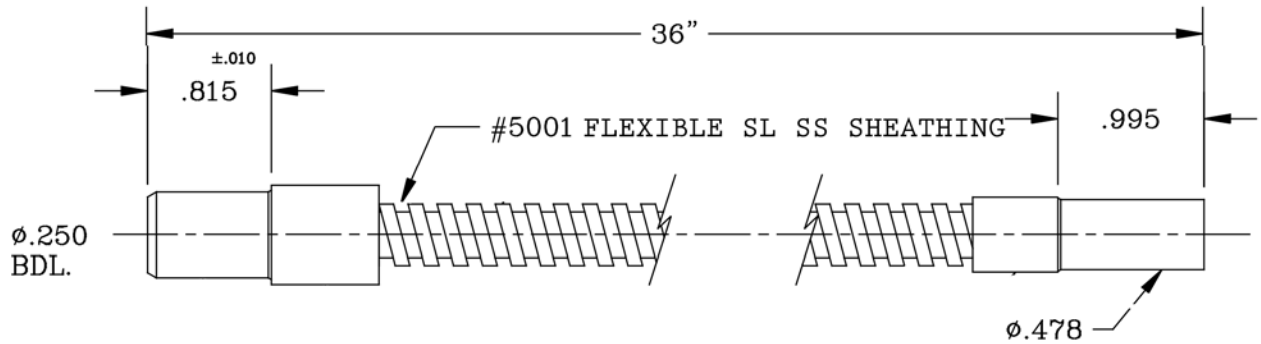
- 1) FOR OPTIONAL FOCUSING LENS
USE P/N FTIIG18526
- 2) FIBER-LF5 .002
- 3) NON-RANDOM

This drawing is the property of FIBEROPTICS TECHNOLOGY, INC. and is proprietary in general and in detail. Its contents shall not be revealed to outside parties without the written consent of FIBEROPTICS TECHNOLOGY, INC.

TOLERANCES (EXCEPT AS NOTED)		FIBEROPTICS TECHNOLOGY INC.	
DECIMAL .XXX ± .005	MEIJI	SCALE FULL	DRAWN BY DPD APPROVED BY RJM
DECIMAL .XX ± .010	TITLE SINGLE GOOSENECK L.G. ASS'Y		
ANGULAR ± 2°	DATE 4/18/05	DRAWING NUMBER FTIIG18523	REV. B

FTIIG18520

DATE	SYM	REVISION RECORD	AUTH.	DR.	CK.
4/04/08	A	ADDED TOL. ±.010	RM	JP	



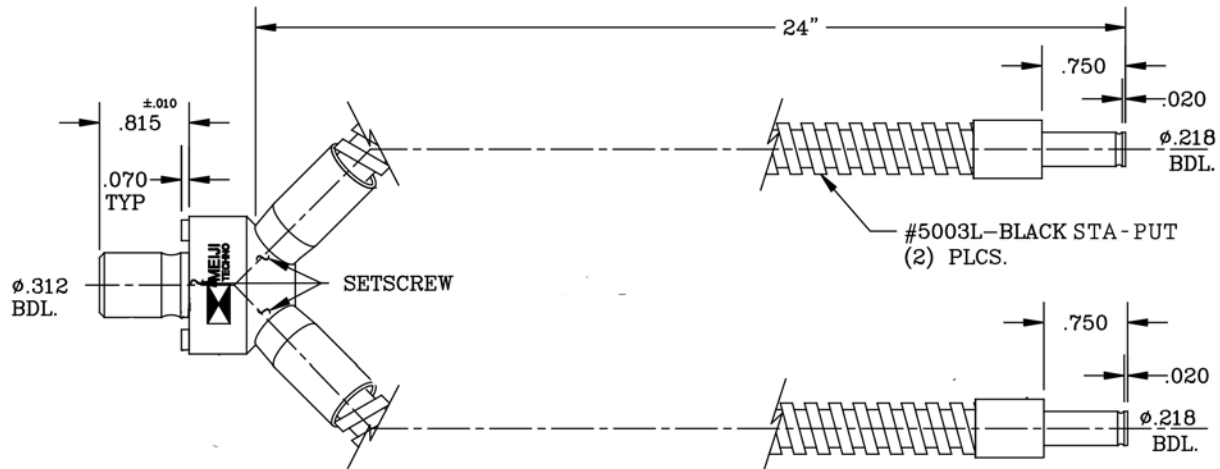
NOTES:

- 1) FIBER - LF5 .002
- 2) NON-RANDOM

This drawing is the property of FIBEROPTICS TECHNOLOGY, INC. and is proprietary in general and in detail. Its contents shall not be revealed to outside parties without the written consent of FIBEROPTICS TECHNOLOGY, INC.			
TOLERANCES (EXCEPT AS NOTED)	FIBEROPTICS TECHNOLOGY INC.		
DECIMAL .XXX ± .005	SCALE FULL	DRAWN BY	DPD
DECIMAL .XX ± .010	TITLE .250 BDL. SINGLE ARM L.G. W/ SPECIAL END TIP		APPROVED BY
ANGULAR ± 2°	DATE 04/14/05	DRAWING NUMBER FTIIG18520	REV A

F'TIIG18518

DATE	SYM	REVISION RECORD	AUTH.	DR.	CK.
4/28/05	A	154809 WAS 154501		DPD	
4/04/06	B	ADDED TOL. ±.010	RM	JP	



NOTE: USE G&P FIXTURE# 1342

- 1) FOR OPTIONAL FOCUSING LENS
USE P/N FTIIG18526
- 2) FIBER-LF5 .002
- 3) NON-RANDOM

This drawing is the property of FIBEROPTICS TECHNOLOGY, INC. and is proprietary in general and in detail. Its contents shall not be revealed to outside parties without the written consent of FIBEROPTICS TECHNOLOGY, INC.			
TOLERANCES (EXCEPT AS NOTED)	FIBEROPTICS TECHNOLOGY INC.		
DECIMAL .XXX ± .005	MEIJI	SCALE FULL	DRAWN BY DPD APPROVED BY RJM
DECIMAL .XX ± .010	TITLE BIFURCATED GOOSENECK L.G. ASS'Y		
ANGULAR ± 2°	DATE 4/18/05	DRAWING NUMBER F'TIIG18518	REV. B