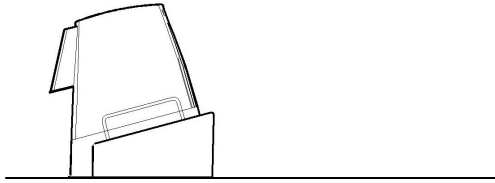
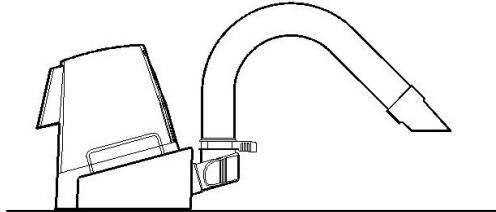


BVX-100 Configurations



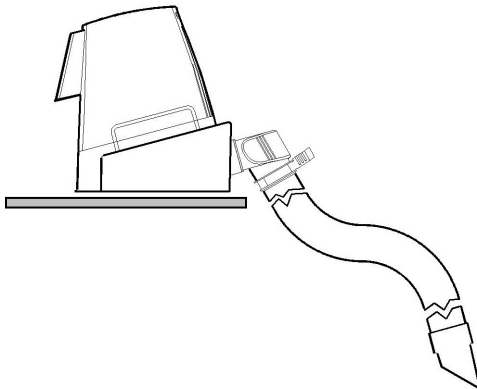
On bench with plenum:

BVX-101-S Filter Unit, single user, plenum only



On bench with BVX-Arm:

BVX-101 Filter Unit, single user, with exhaust arm



On shelf with Inverted Adapter and BVX-Arm:

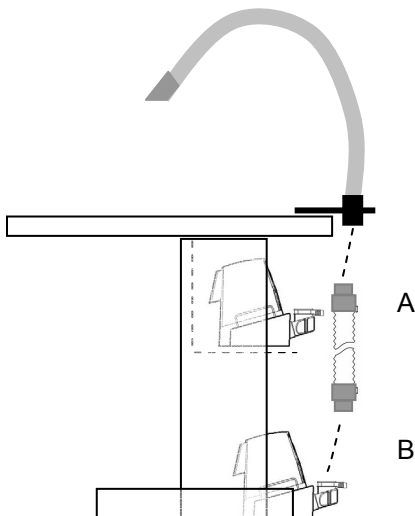
BVX-101-S Filter Unit, single user, plenum only

BVX-IADT Inverted arm adapter, ESD safe

BVX-Arm Flexible arm, ESD, 710mm (28") long

Alternative arm:

BVX-ArmL Flexible arm, ESD, 1220mm (48") long



A) With Under Bench Bracket:

BVX-101-S Filter Unit, single user, plenum only

BVX-BCK Under bench bracket

BVX-ADT Arm adapter, ESD safe

BVX-Arm-K1 Flexible arm kit, with bracket and 1.8m (6') long hose

B) Placed on floor:

BVX-101-S Filter Unit, single user, plenum only

BVX-ADT Arm adapter, ESD safe

BVX-Arm-K1 Flexible arm kit, with bracket and 1.8m (6') long hose