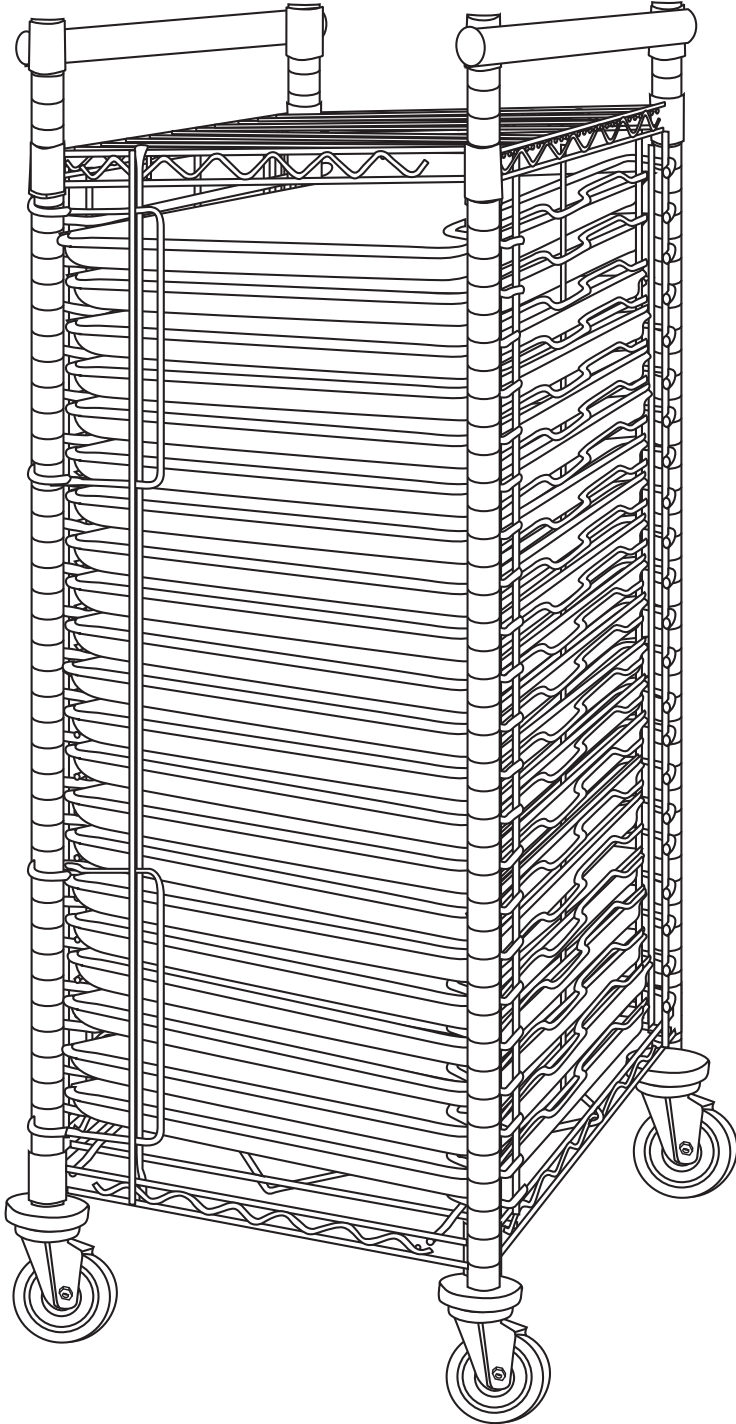


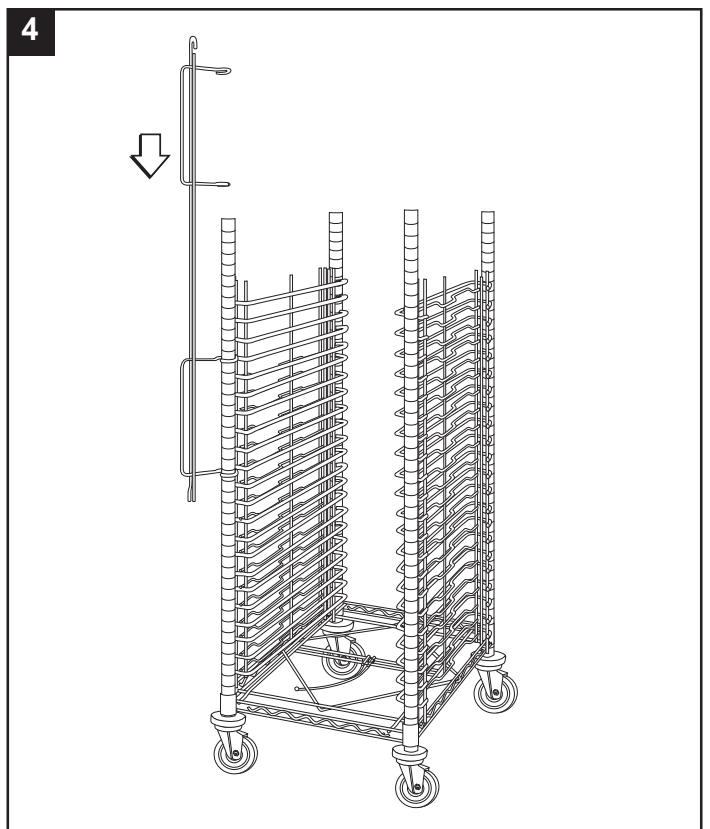
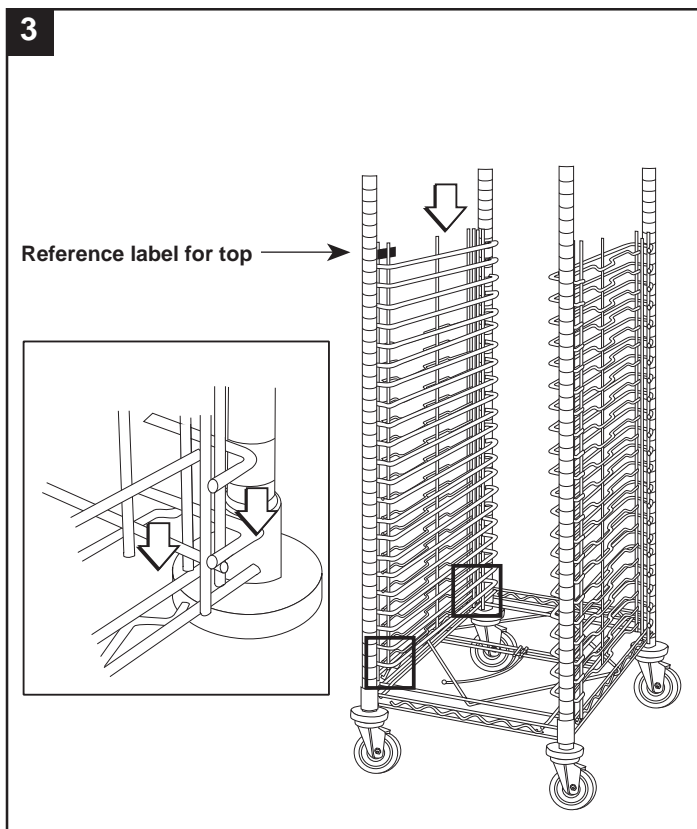
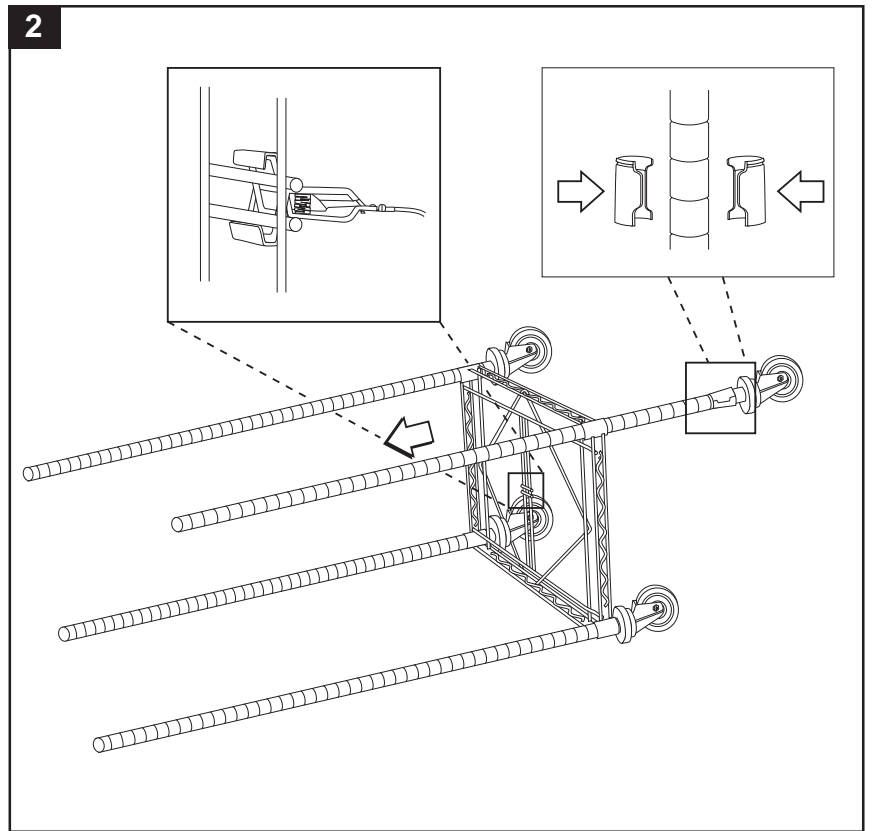
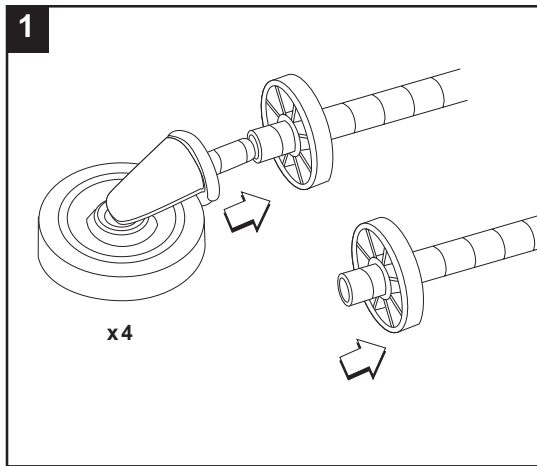
Electronics Tray Cart



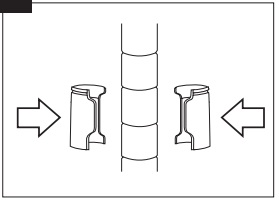
InterMetro Industries Corporation
North Washington Street, Wilkes-Barre, PA 18705
For Product Information Call: 1-800-433-2232
Visit Our Web Site: www.metro.com

**ASSEMBLY
INSTRUCTIONS**
For Electronics Tray Cart

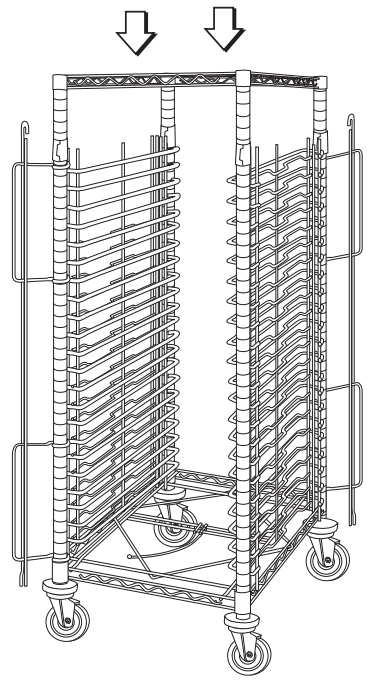
Electronics Tray Cart



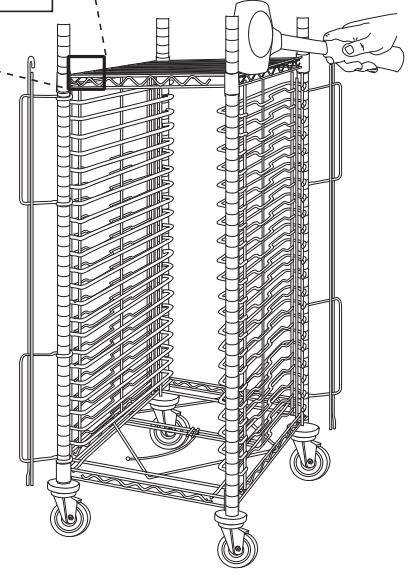
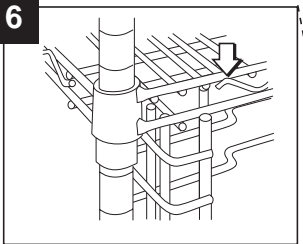
5



For 20-capacity unit, place top shelf on Groove 40.
 For 30-capacity unit, place top shelf on Groove 57.

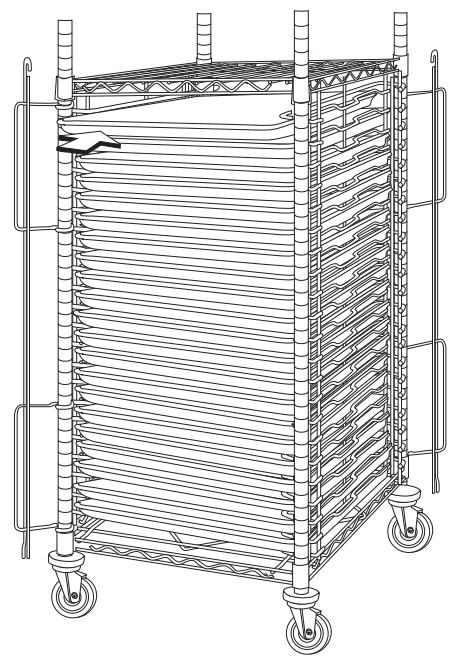


6



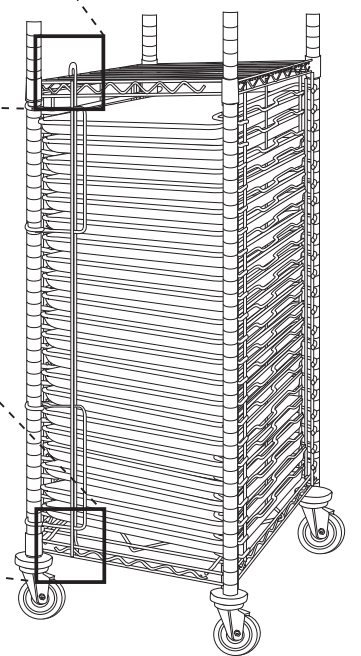
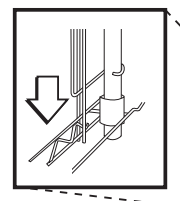
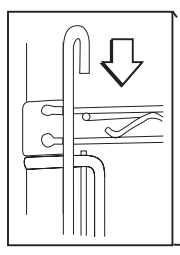
7

Side Load

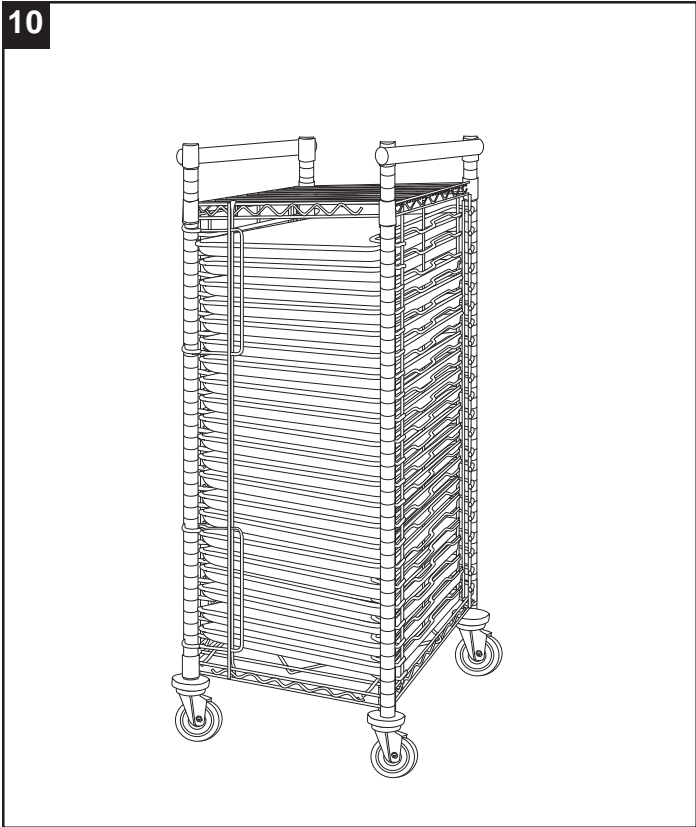
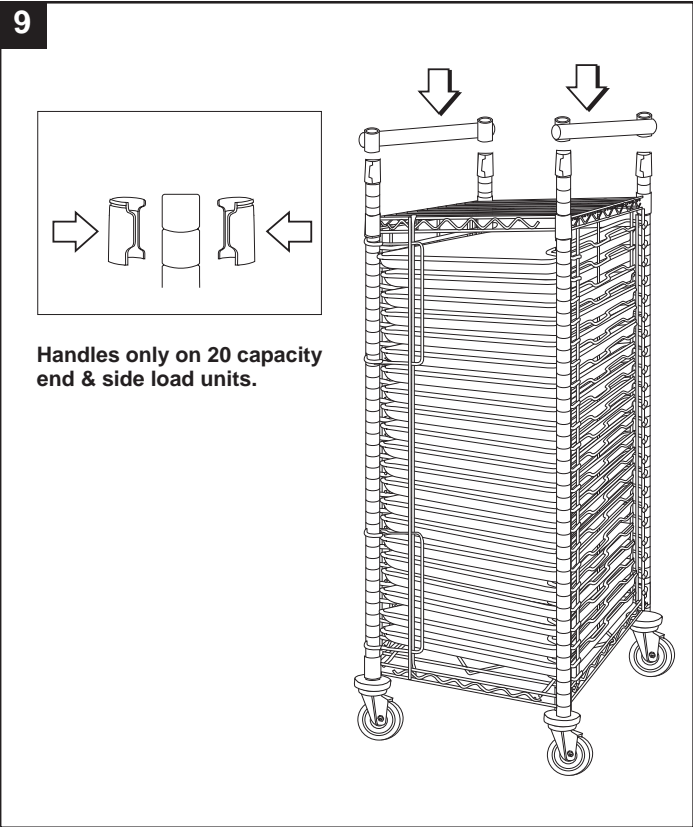


8

End Load



Electronics Tray Cart



InterMetro Industries Corporation
North Washington Street, Wilkes-Barre, PA 18705
For Product Information Call: 1-800-433-2232
Visit Our Web Site: www.metro.com

L01-333
3/99

Information and specifications are subject to change without notice. Please confirm at time of order.