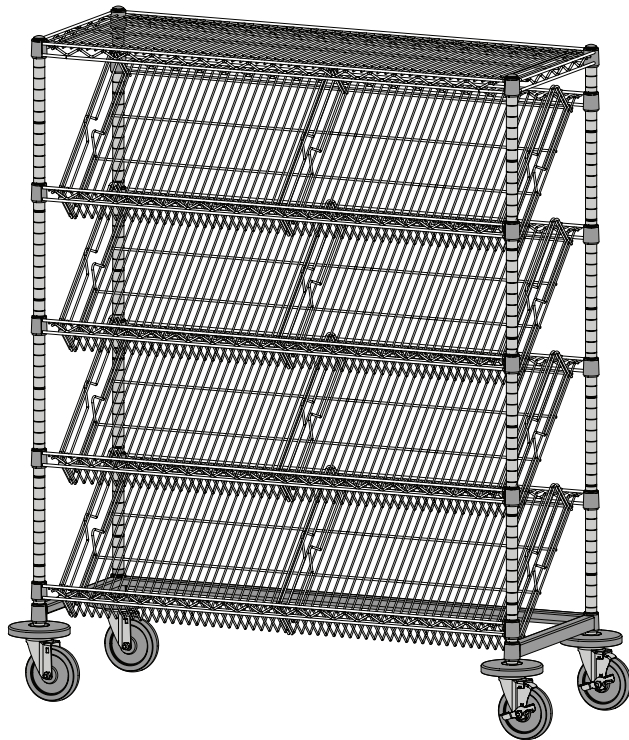
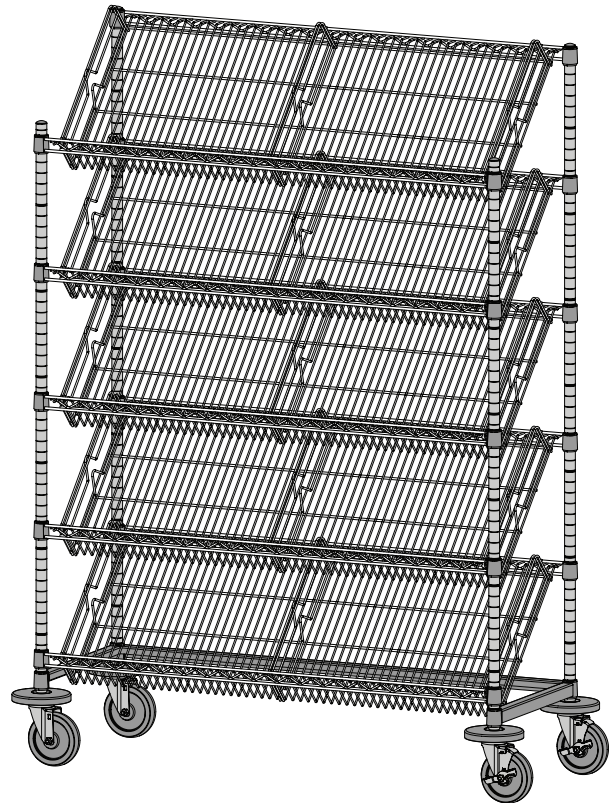


SLANTED SHELF CART



FOUR SLANTED SHELF UNIT
DC15EC, DC35EC, DC55EC



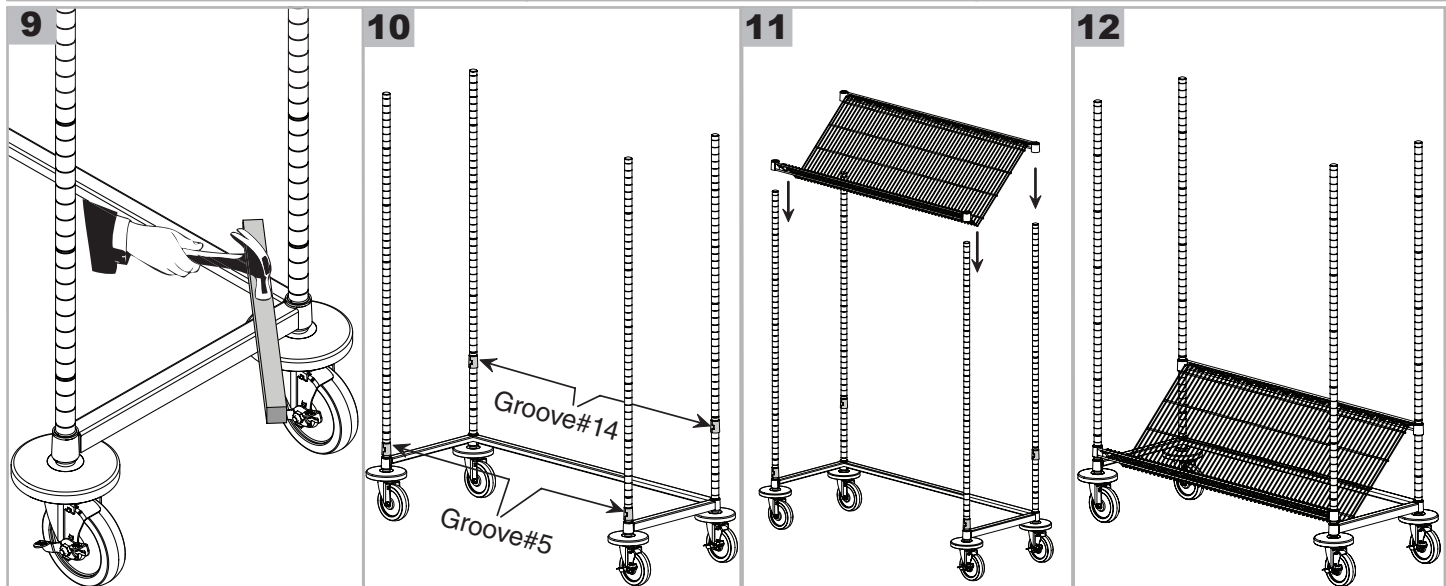
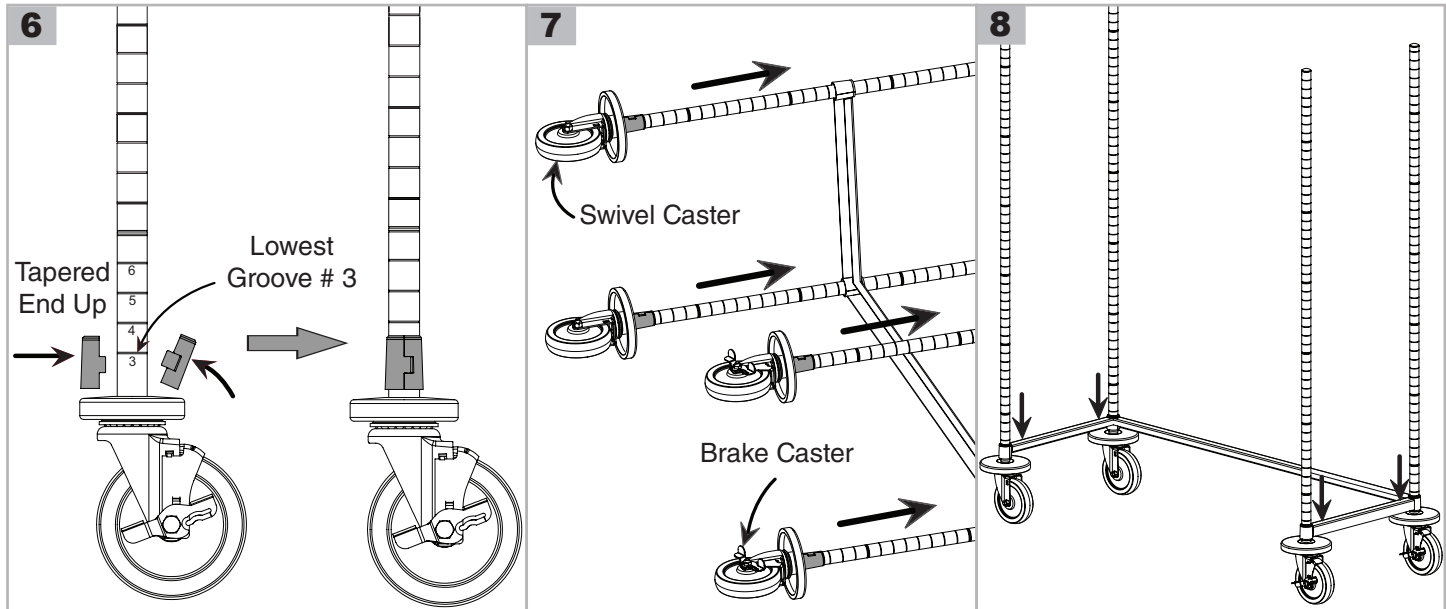
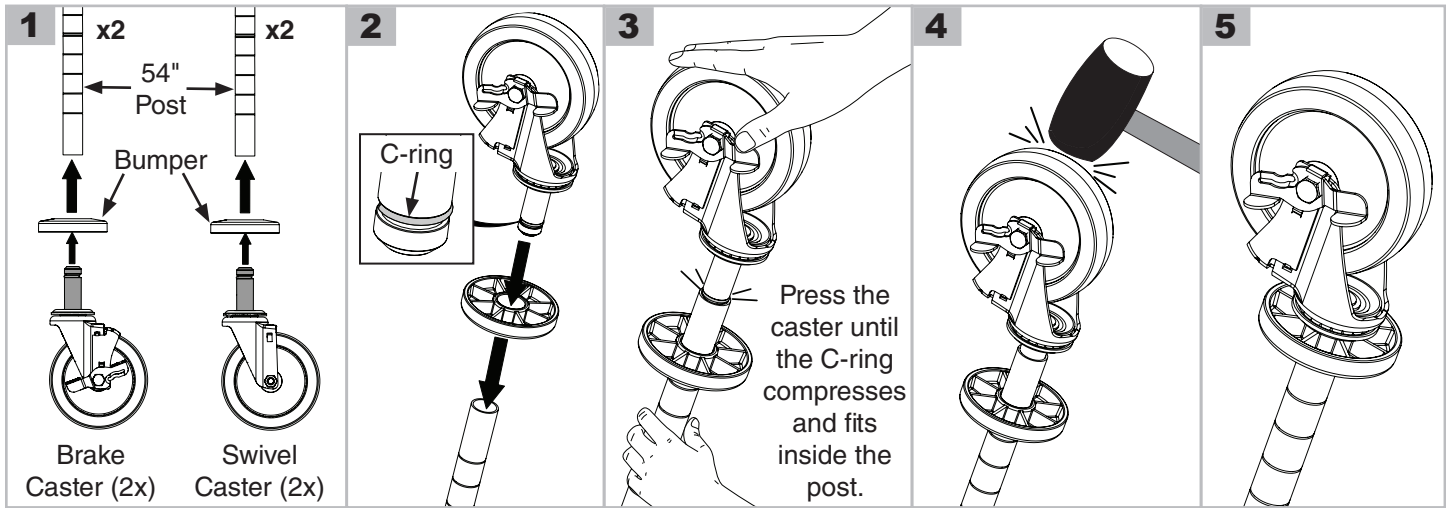
FIVE SLANTED SHELF UNIT
DC16EC, DC36EC, DC56EC

DESCRIPTION

This instruction sheet covers the assembly procedure for carts utilizing slanted shelves and for specific models: DC15EC, DC35EC, DC55EC, DC16EC, DC36EC, DC56EC.

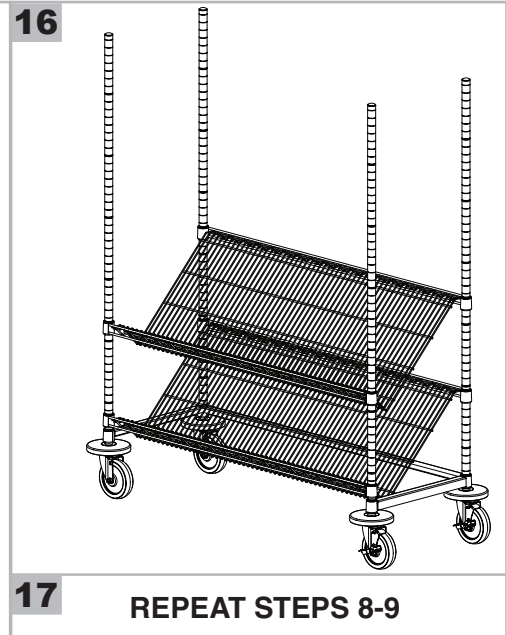
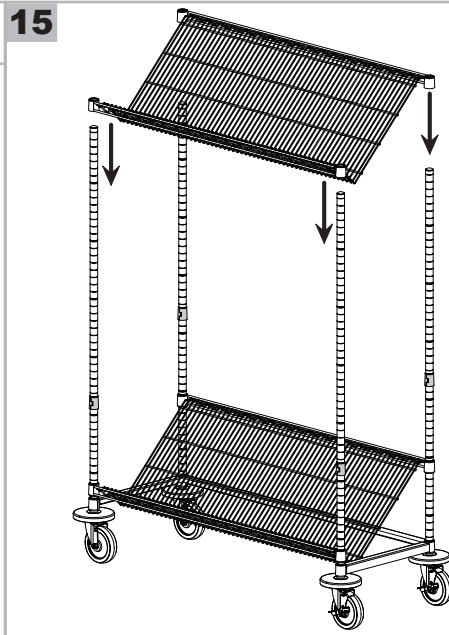
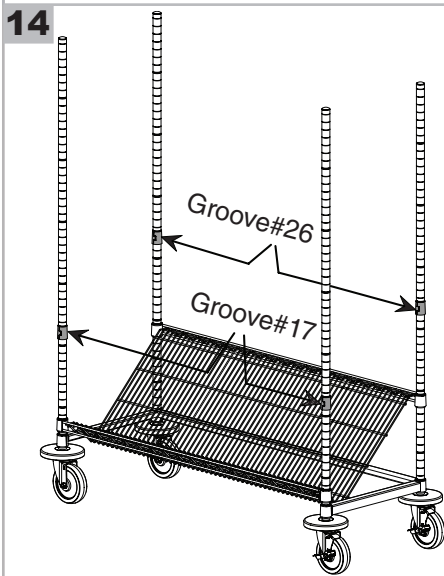
SLANTED SHELF CART — INSTRUCTIONS FOR USE

TWO PEOPLE REQUIRED TO ASSEMBLE UNIT

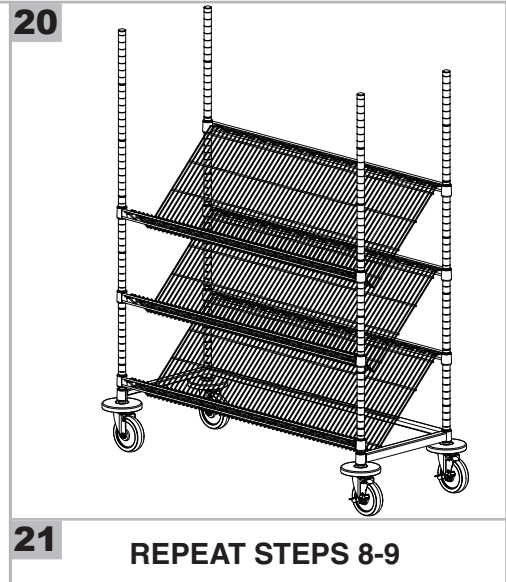
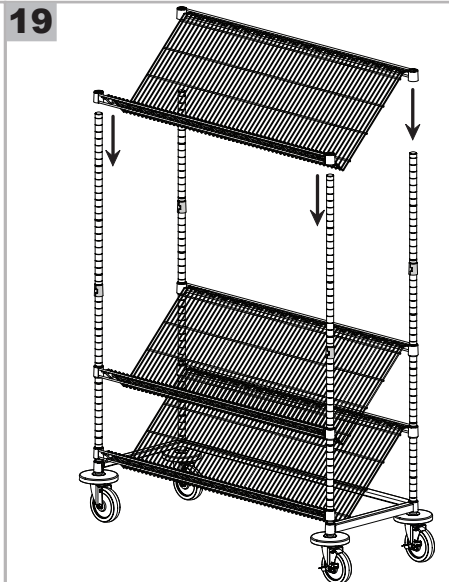
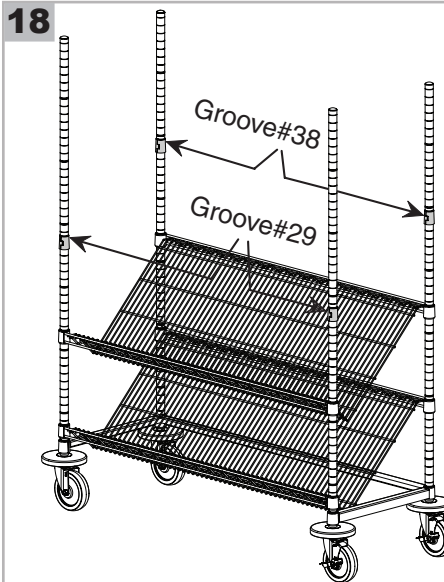


SLANTED SHELF CART — INSTRUCTIONS FOR USE

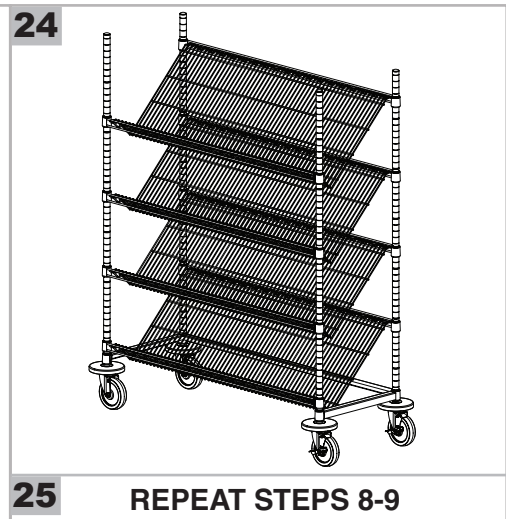
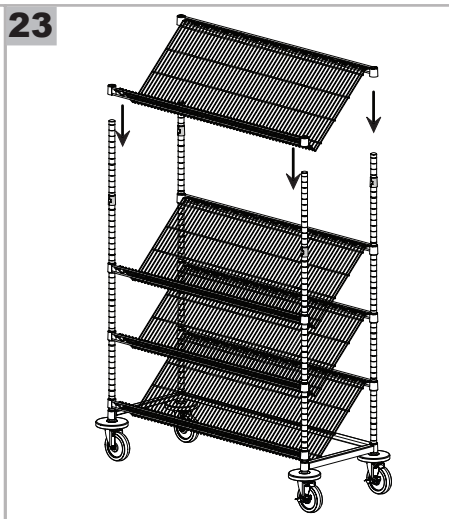
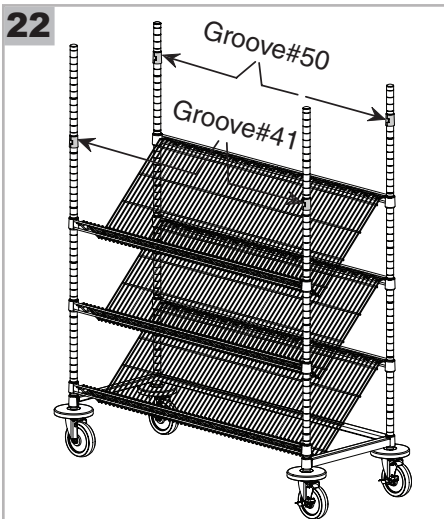
13 REPEAT STEPS 8-9



17 REPEAT STEPS 8-9

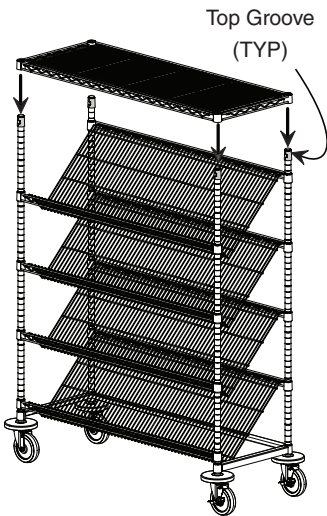


21 REPEAT STEPS 8-9

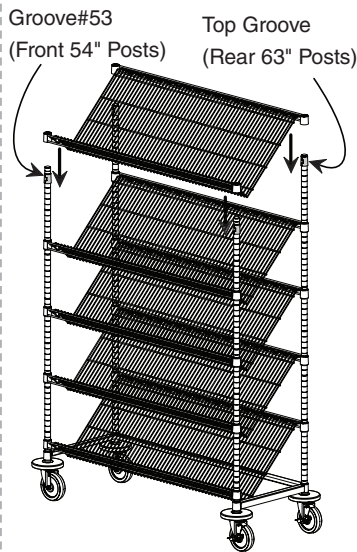


25 REPEAT STEPS 8-9

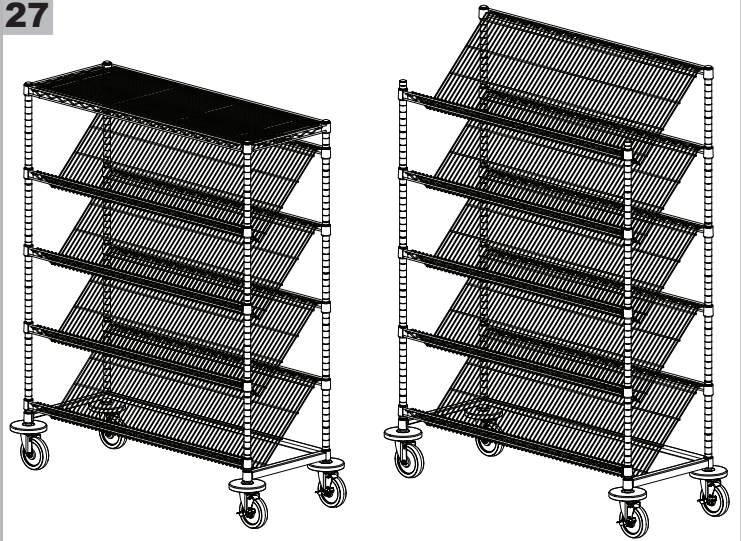
26 Four Slanted Shelf



Five Slanted Shelf



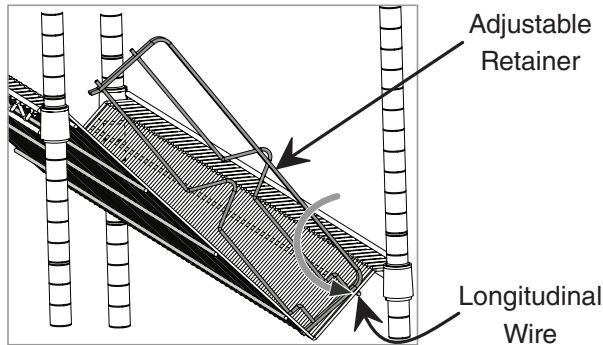
27



28

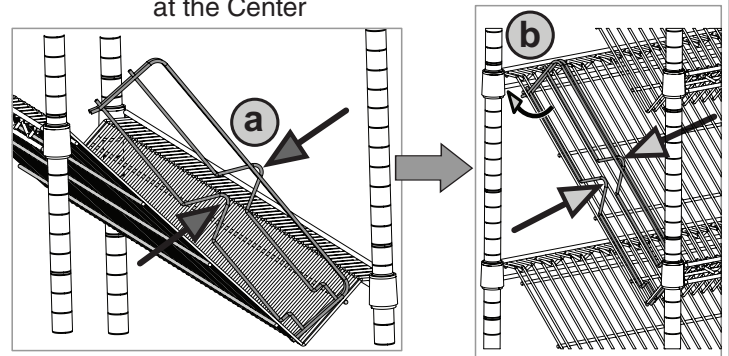
REPEAT STEPS 8-9

29

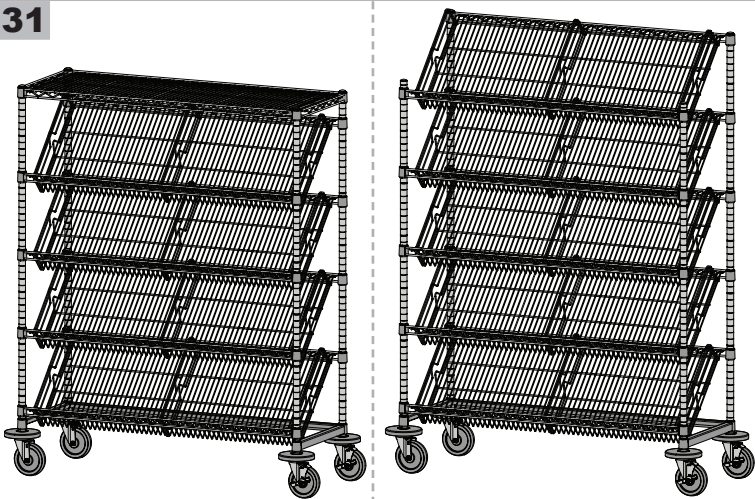


30

Squeeze the Retainer at the Center



31



CAUTION: WEIGHT CAPACITY

Slanted Shelves (all sizes):
200 lbs. (91 kg.) maximum equally distributed.



NEVER exceed 800 lbs. (363 kg.) on any Stationary Storage System.

NEVER exceed 400 lbs. (181 kg.) or three times the caster load rating (which ever is less) on any Mobile Storage System.

Distribute weight as evenly as possible.

Failure to follow these instructions could result in personal injury or property damage.

THIS COMPLETES THE ASSEMBLY OF FOUR AND FIVE SLANTED SHELF UNITS

* Save this document for future application, load rating and/or safety reference.

© 2021 InterMetro Industries Corporation, Wilkes-Barre, PA 18705
L01-069 REV C 11/21



We put space to work.

an Ali Group Company



The Spirit of Excellence