

MimioBoard 780T & 870T

A touch board that offers collaborative learning and an unprecedented touch experience. Up to six individuals can work together at this easy-to-install board. Their control and touch experience will remain uninterrupted, no matter where they work on the board. Students and teachers can focus on learning – not on the technology.

“Knowing that up to 6 students can work independently and collaboratively on this board is incredible! The learning potential exceeds any other technology I’ve had the opportunity to work with.”

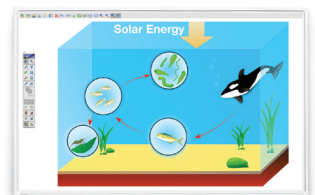
Jen Maher
Computer Teacher
St. Patrick’s Elkhorn

The MimioBoard™ touch board enables collaborative learning with 6-point *Touch 360°* interactivity. Up to six single-point touch users or three dual-touch and gestures users can engage in small-group or whole-group learning simultaneously, writing or manipulating objects above, below, or parallel to one another. Whether you chose the 78” or 87” model, you get a projection-optimized touch board with an erasable surface. That means your touch board can also be used as a conventional whiteboard.

- Includes MimioStudio™ classroom software, to easily create and deliver engaging lessons.
- Up to 6 users or 3 dual-touch and gestures users can work

together interactively at the same time with the class, increasing student engagement and driving collaborative learning.

- Lessons come to life in stunning quality on this projection-optimized Porcelain-on-Steel surface.
- The lightweight touch board typically installs in less than 10 minutes with included mounting brackets.
- Completely integrated with other MimioClassroom™ products, including our MimioMobile™ app for collaboration and assessment.
- Unique design stands up to classroom use.



Up to 6 students can use finger touch or styli to collaborate at the front of the room.

Touchboards mimio®

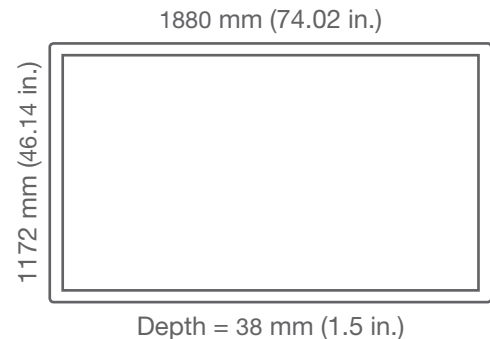
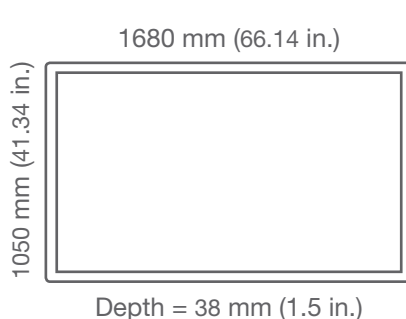
a better way to learn

Package Contents

MimioBoard touch board, 5 m USB cable, 2 passive styli, wall mount bracket, warranty card, installation guide, and MimioStudio software license.

Specifications

	MimioBoard 780T	MimioBoard 870T
Operating System	Windows 7 and Windows 8: Includes multi-touch and gestures. Mac OS and Linux: Single point.	Windows 7 and Windows 8: Includes multi-touch and gestures. Mac OS and Linux: Single point.
Overall Dimensions	1680 mm L x 1050 mm H x 38 mm D (66.14 in. L x 41.34 in. H x 1.5 in. D)	1880 mm L x 1172 mm H x 38 mm D (74.02 in. L x 46.14 in. H x 1.5 in. D)
Diagonal Board Size	1981.2 mm (78 in.)	2209.8 mm (87 in.)
Weight	13.6 kg (29.9 lb)	16.3 kg (35.9 lb)
Shipping Dimensions	1846 mm L x 1216 mm H x 80 mm D (72.68 in. L x 47.87 in. H x 3.15 in. D)	2046 mm L x 1341 mm H x 80 mm D (80.55 in. L x 52.80 in. H x 3.15 in. D)
Shipping Weight	15.8 kg (34.9 lb)	18.6 kg (40.9 lb)
Aspect Ratio	16:10	16:10
Tracking Technology	Touch 360°	Touch 360°
Touch Points	6	6
Touch Tool	Stylus, Finger, Solid Object	Stylus, Finger, Solid Object
Number of Users	Up to 6 simultaneous single-touch users or 3 dual-touch users using gestures	Up to 6 simultaneous single-touch users or 3 dual-touch users using gestures
Styli	Ergonomically elegant passive styli are weighted and balanced for interactive use	Ergonomically elegant passive styli are weighted and balanced for interactive use
Tracking Read Speed	>100 frames/s	>100 frames/s
Tracking Response Time	10 ms	10 ms
Minimal Object Size	3 mm (.12 in) x 3 mm (.12 in)	3 mm (.12 in) x 3 mm (.12 in)
Frame Finish	Rigid extruded aluminum frame with high-gloss, powder-coated finish.	Rigid extruded aluminum frame with high-gloss, powder-coated finish.
Surface	Durable, magnetic, and erasable Porcelain-on-Steel surface	Durable, magnetic, and erasable Porcelain-on-Steel surface
Wall Mount Brackets	Four-position, interlocking, wall-mounting fixture	Four-position, interlocking, wall-mounting fixture
Operating Temperature	-10° ~ 50° C (14° ~ 122° F)	-10° ~ 50° C (14° ~ 122° F)
Storage Temperature	-20° ~ 60° C (-4° ~ 140° F)	-20° ~ 60° C (-4° ~ 140° F)
Humidity	Up to 90% RH from 0°C to 40°C, non-condensing	Up to 90% RH from 0°C to 40°C, non-condensing
Power Consumption	3 W	3 W
Input/Output Description	USB Type-A Female	USB Type-A Female
Data Transfer Rate—USB	Full-Speed USB (Up to 12 Mbps)	Full-Speed USB (Up to 12 Mbps)
Certification and Compliance	TUV, FCC	TUV, FCC
International Use	Computer USB is the power source enabling “Start up and Go” in any country.	Computer USB is the power source enabling “Start up and Go” in any country.



mimio[®]
a better way to learn

Touchboards

205 Westwood Ave, Long Branch, NJ 07740
Phone: 866-94 BOARDS (26273) / (732)-222-1511
Fax: (732)-222-7088 | E-mail: sales@touchboards.com