

# Micrometer

## Blade Micrometers SERIES 422 — Non-Rotating Spindle Type

- The anvil and spindle are blade-shaped for measuring the groove diameter of shafts, keyways, and other hard-to-reach features.
- Carbide-tipped measuring faces are available.
- Non-rotating spindle type.
- Equipped with Ratchet Stop for constant measuring force.



### SPECIFICATIONS

Metric					
Order No.	Range (mm)	Resolution (mm)	Maximum permissible error $J_{MPE}$ ( $\mu\text{m}$ )	Parallelism ( $\mu\text{m}$ )	Remark
Digimatic (LCD)					
422-230-30	0 - 25	0.001	$\pm 3$	3	Type A
422-231-30	25 - 50				
422-232-30	50 - 75				
422-233-30	75 - 100				
422-260-30	0 - 25		$\pm 3$	3	Type B
422-261-30	25 - 50				
422-270-30	0 - 25				
422-271-30	0 - 25				

Inch / Metric					
Order No.	Range (in)	Resolution	Maximum permissible error $J_{MPE}$ (in)	Parallelism (in)	Remark
Digimatic (LCD)					
422-330-30	0 - 1	0.00005 in/ 0.001 mm	$\pm 0.00015$	0.00015	Type A
422-331-30	1 - 2				
422-332-30	2 - 3				
422-333-30	3 - 4				
422-360-30	0 - 1		$\pm 0.00015$	0.00015	Type B
422-361-30	1 - 2				
422-370-30	0 - 1				
422-371-30	0 - 1				

Metric Quickmike type					
Order No.	Range (mm)	Resolution (mm)	Maximum permissible error $J_{MPE}$ ( $\mu\text{m}$ )	Parallelism ( $\mu\text{m}$ )	Remark
Digimatic (LCD)					
422-411-20	0 - 30	0.001	$\pm 3$	3	Type A
422-412-20	25 - 55				

Inch / Metric Quickmike type					
Order No.	Range (in)	Resolution	Maximum permissible error $J_{MPE}$ (in)	Parallelism (in)	Remark
Digimatic (LCD)					
422-421-20	0 - 1.2	0.00005 in/ 0.001 mm	$\pm 0.00015$	0.00015	Type A

- Battery: SR44 (1 pc.), **938882**, for initial operational checks (standard accessory)
- Battery life: Approx. 2.4 years under normal use (for **422-2XX, 3XX**)  
Approx. 5 years under normal use (for **422-4XX**)
- Length standard: Electromagnetic rotary sensor (for **422-2XX, 3XX**)  
Electrostatic capacity absolute sensor (for **422-4XX**)
- Standard accessories: Setting standard, 1 pc. (except for measuring range 0 to 25 mm/0 to 30 mm (0 to 1 in/0 to 1.2 in) models), Spanner (**301336**), 1 pc. (for **422-2XX, 3XX**)

Note 1: For functional details, refer to page B-7 Please note that these models are not water-proof.

Note 2: A heat shield is provided with Digimatic (LCD) as standard.

MeasurLink<sup>®</sup> ENABLED  
Data Management Software by Mitutoyo

U-WAVE<sup>fit</sup>

ABSOLUTE<sup>™</sup>

IP65

TÜV Rheinland  
CERTIFIED

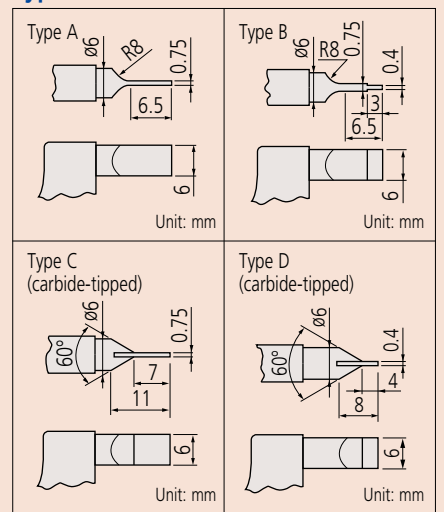
Quat- and  
Water  
Protected  
www.tuv.com  
ID: 0000000013

Applicable models:  
series 422 Quickmike type

### Measurement example



### Type and Dimensions



### Optional Accessories

Order No.	Type	Description
05CZA662	B	Connecting cable (1 m)
05CZA663	B	Connecting cable (2 m)
06AFM380B	B	USB Input Tool Direct (2 m)
02AZD790B	B	Connecting cables for U-WAVE-T (160 mm)
02AZE140B	B	Connecting cables for U-WAVE-T For foot switch
264-622	IP67	U-WAVE-TM*
264-623	Buzzer	U-WAVE-TM*
264-626	IP67	U-WAVE-TMB*
264-627	Buzzer	U-WAVE-TMB*
02AZF310	IP67/ buzzer	Connecting unit for U-WAVE-TM/TMB*

\* Only series 422 (except for Quickmike type) can be attached.