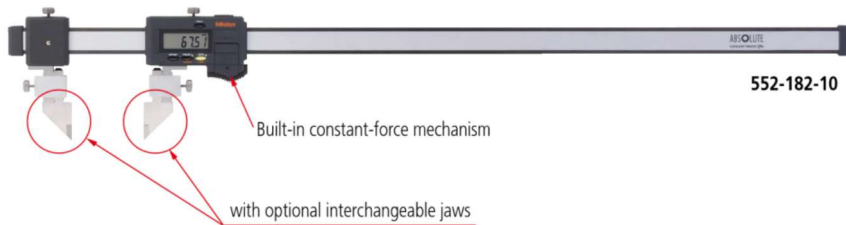


Calipers

ABSOLUTE Coolant Proof Carbon Fiber Caliper SERIES 552 — with Interchangeable Jaws

- IP66 Absolute Digital Caliper (Refer to page D-5 for a description of Absolute measurement.)
- The range of applications can be expanded by using interchangeable jaws (optional).



SPECIFICATIONS

Metric

Order No.	Range (mm)	Resolution (mm)	Maximum permissible error (mm)* ¹	
			EMPE	SMPE
552-181-10	0 - 450	0.01	±0.04	
552-182-10	0 - 600			
552-183-10	0 - 1000			
552-184-10	0 - 1500			
552-185-10	0 - 2000			

Inch/Metric

Order No.	Range	Resolution	Maximum permissible error* ¹	
			EMPE	SMPE
552-191-10	0 - 18 in/0 - 450 mm	0.0005 in/0.01 mm	±0.002 in/±0.04 mm	
552-192-10	0 - 24 in/0 - 600 mm			
552-193-10	0 - 40 in/0 - 1000 mm			
552-194-10	0 - 60 in/0 - 1500 mm			
552-195-10	0 - 80 in/0 - 2000 mm			

- Dust/Water protection level: IP66 (IEC 60529)*²
- Battery: SR44 (1 pc.), **938882**, for initial operational checks (standard accessory)
- Battery life: Approx. 5,000 hours in continuous use
- Max. response speed: Unlimited

*1 Partial Surface Contact Error, EMPE and Shift Error, SMPE are terms (notations) used in ISO 13385-1:2019.

*2 Rustproofing shall be applied after use if caliper was in contact with coolant.

Note1: The Maximum permissible error (MPE) values described above were measured using a dedicated outside measurement inspection tool.

Note2: A constant-force mechanism is used in the finger rest; however, this is only an auxiliary mechanism to avoid measurement error caused by excessive measuring force. To measure with good accuracy, use the minimum necessary measuring force for the caliper measuring faces to make sufficient contact with the workpiece. Refer to page D-45 for details.

MeasurLink ENABLED
Data Management Software by Mitutoyo

ABSOLUTE™

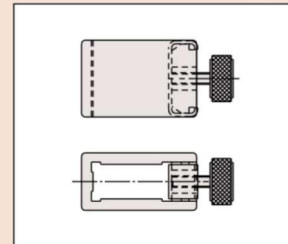


Functions

- Zero-setting
- Data hold
- Offsetting
- Presetting
- Data output
- Low-power and low-voltage alert
- Counting value composition error
- Automatic power on/off, inch/mm reading (inch/mm models)

LCD display turns off after 20 minutes inactivity but the ABS scale unit origin is stored. Moving the slider restores the display.

Standard Accessories (2 pcs.)



Jaw clamps: 05GZA033

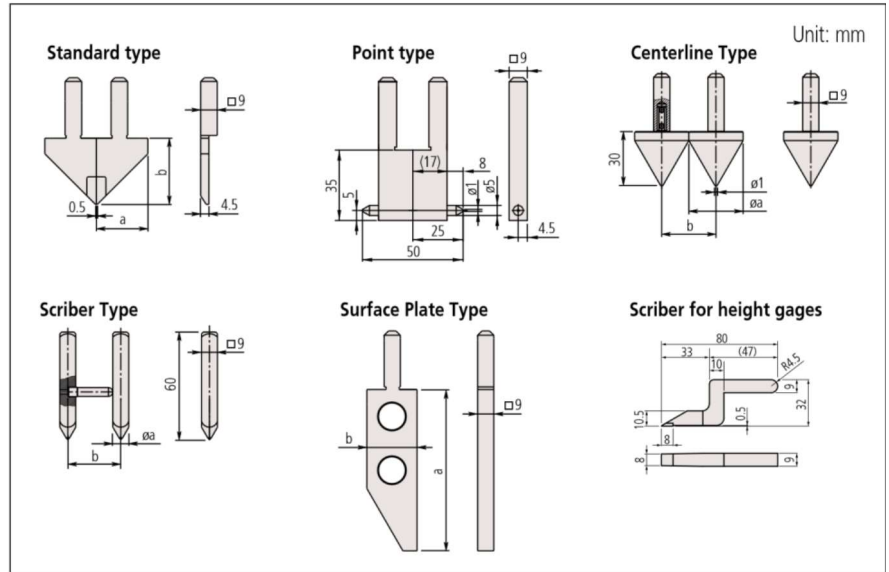
Optional Accessories

Order No.	Type	Description
05CZA624	A	Connecting cables for IT/DP/MUX (1 m)
05CZA625	A	Connecting cables for IT/DP/MUX (2 m)
06AFM380A	A	USB Input Tool Direct (2 m)
02AZD790A	A	Connecting cables for U-WAVE-T (160 mm)
02AZE140A	A	Connecting cables for U-WAVE-T For foot switch

Optional accessories

Interchangeable jaws

SPECIFICATIONS



Standard Type

Order No.	Components	a	b
07CZA056	Right (07CAA044), Left (07CAA045)	28 mm (1.1 in)	36 mm (1.2 in)

Note: 1 set

Point Type

Order No.	Components	a	b
07CZA058	07CZA041×2 pcs.	25 mm	50 mm
07CZA059	07CZA048×2 pcs.	1 in	2 in

Centerline Type

Order No.	Components	a	b
07CZA057	07CZA039×2 pcs.	30 mm	30 mm
07CZA060	07CZA047×2 pcs.	1.2 in	1.2 in

Scriber Type

Order No.	Components	a	b
07CZA055	Right (07CZA042), Left (07CZA043)	8 mm	30 mm
07CZA061	Right (07CZA042), Left (07CZA049)	0.31 in	1.2 in

Surface Plate Type

Order No.	a	b
07CZA044	90 mm (3.5 in)	28 mm (1.1 in)

Note: Note that the error arising from the combination of surface plates is outside the scope of accuracy guarantee.

Scriber for height gages

Order No.
07GZA000

Type	Applicable calipers	Range	Maximum permissible error*	
			Extr.	Surf.
Standard type	552-181-10 (552-191-10)	0 - 450 mm (0 - 18 in)	/	/
	552-182-10 (552-192-10)	0 - 600 mm (0 - 24 in)		
	552-183-10 (552-193-10)	0 - 1000 mm (0 - 40 in)		
	552-184-10 (552-194-10)	0 - 1500 mm (0 - 60 in)		
	552-185-10 (552-195-10)	0 - 2000 mm (0 - 80 in)		
Point type	552-181-10 (552-191-10)	Inside: 50.1 - 500 mm (2.004 - 20 in)	—	±0.09 mm (±0.0035 in)
		Outside: 0 - 450 mm (0 - 18 in)	±0.09 mm (±0.0035 in)	—
	552-182-10 (552-192-10)	Inside: 50.1 - 650 mm (2.004 - 26 in)	—	±0.09 mm (±0.0035 in)
		Outside: 0 - 600 mm (0 - 24 in)	±0.09 mm (±0.0035 in)	—
	552-183-10 (552-193-10)	Inside: 50.1 - 1050 mm (2.004 - 42 in)	—	±0.10 mm (±0.0040 in)
		Outside: 0 - 1000 mm (0 - 40 in)	±0.10 mm (±0.0040 in)	—
	552-184-10 (552-194-10)	Inside: 50.1 - 1550 mm (2.004 - 62 in)	—	±0.14 mm (±0.0055 in)
		Outside: 0 - 1500 mm (0 - 60 in)	±0.14 mm (±0.0055 in)	—
	552-185-10 (552-195-10)	Inside: 50.1 - 2050 mm (2.004 - 82 in)	—	±0.17 mm (±0.0070 in)
		Outside: 0 - 2000 mm (0 - 80 in)	±0.17 mm (±0.0070 in)	—
Centerline type	552-181-10 (552-191-10)	30.1 - 480 mm (1.204 - 19.2 in)	/	±0.08 mm (±0.0030 in)
	552-182-10 (552-192-10)	30.1 - 630 mm (1.204 - 25.2 in)		±0.10 mm (±0.0040 in)
	552-183-10 (552-193-10)	30.1 - 1030 mm (1.204 - 41.2 in)		±0.13 mm (±0.0055 in)
	552-184-10 (552-194-10)	30.1 - 1530 mm (1.204 - 61.2 in)		±0.16 mm (±0.0065 in)
	552-185-10 (552-195-10)	30.1 - 2030 mm (1.204 - 81.2 in)		—
Scriber type	552-181-10 (552-191-10)	30.1 - 480 mm (1.204 - 19.2 in)	/	±0.11 mm (±0.0045 in)
	552-182-10 (552-192-10)	30.1 - 630 mm (1.204 - 25.2 in)		±0.15 mm (±0.0060 in)
	552-183-10 (552-193-10)	30.1 - 1030 mm (1.204 - 41.2 in)		±0.18 mm (±0.0070 in)
	552-184-10 (552-194-10)	30.1 - 1530 mm (1.204 - 61.2 in)		—
	552-185-10 (552-195-10)	30.1 - 2030 mm (1.204 - 81.2 in)		—
Surface plate type + Scriber type for height gages	552-181-10 (552-191-10)	0 - 450 mm (0 - 17.7 in)	/	±0.10 mm (±0.0040 in)
	552-182-10 (552-192-10)	0 - 600 mm (0 - 23.7 in)		±0.11 mm (±0.0045 in)
	552-183-10 (552-193-10)	0 - 1000 mm (0 - 39.4 in)		±0.15 mm (±0.0060 in)
	552-184-10 (552-194-10)	0 - 1500 mm (0 - 59.4 in)		±0.18 mm (±0.0070 in)
	552-185-10 (552-195-10)	0 - 2000 mm (0 - 79.6 in)		—
Surface plate type + Point type	552-181-10 (552-191-10)	Outside: 0 - 450 mm (1 - 18 in)	/	±0.12 mm (±0.0050 in)
	552-182-10 (552-192-10)	Outside: 0 - 600 mm (1 - 24 in)		±0.12 mm (±0.0050 in)
	552-183-10 (552-193-10)	Outside: 0 - 1000 mm (1 - 40 in)		±0.13 mm (±0.0055 in)
	552-184-10 (552-194-10)	Outside: 0 - 1500 mm (1 - 60 in)		±0.17 mm (±0.0070 in)
	552-185-10 (552-195-10)	Outside: 0 - 2000 mm (1 - 80 in)		±0.20 mm (±0.0080 in)
Surface plate type + Centerline type	552-181-10 (552-191-10)	15.1 - 465 mm (0.6 - 18.6 in)	/	±0.11 mm (±0.0045 in)
	552-182-10 (552-192-10)	15.1 - 615 mm (0.6 - 24.6 in)		±0.12 mm (±0.0050 in)
	552-183-10 (552-193-10)	15.1 - 1015 mm (0.6 - 40.6 in)		±0.16 mm (±0.0065 in)
	552-184-10 (552-194-10)	15.1 - 1515 mm (0.6 - 60.6 in)		±0.19 mm (±0.0075 in)
	552-185-10 (552-195-10)	15.1 - 2015 mm (0.6 - 80.6 in)		—

(): Inch/Metric models

Note: The values described in the above table are MPE values when attached to a caliper.