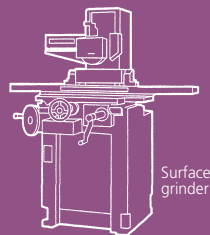
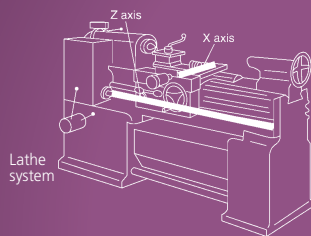
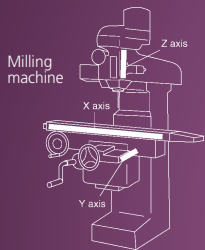


## DRO RETROFIT PACKAGES

Mitutoyo Quality



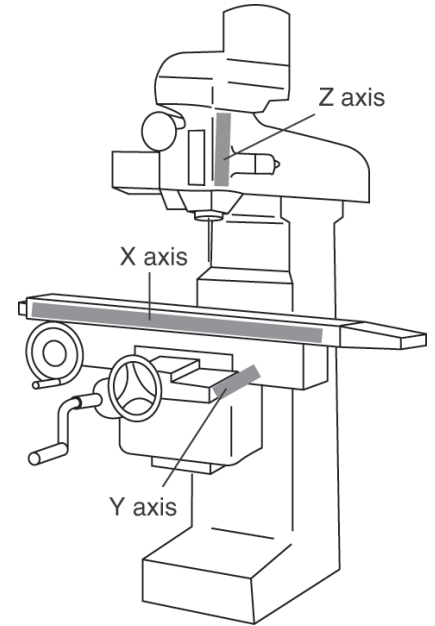
DIGITAL SCALE AND DRO SYSTEMS



# Milling Packages

Electro-Magnetic ABSOLUTE DRO Packages for Milling Machines

Using KA-200 Counter and AT715 Linear Scales



## 2 Axis, KA-200 Counter Milling System

### Package Includes:

- KA-200 Counter
- AT715 Electro-Magnetic Absolute Linear Scales
- Brackets for Linear Scales
- Display Arm Kit



## 2 Axis Milling Machine System Packages

New Part Numbers

X Axis Travel (AT715 Slim Electromagnetic)	Y Axis Travel (AT715 Slim Electromagnetic)			
	12" (539-805)	14" (539-806)	16" (539-806)	18" (539-808)
24" (539-811)	64PKA170	64PKA172		
30" (539-814)	64PKA058A	64PKA060A	64PKA175	-
32" (539-815)		64PKA169	64PKA176	
36" (539-816)	64PKA059A	64PKA168	64PKA062A	64PKA178
40" (539-817)	64PKA171	64PKA061A	64PKA063A	64PKA064A
44" (42") (539-815)	64PKA173		64PKA177	

# Milling Packages

## Electro-Magnetic ABSOLUTE DRO Packages for Milling Machines

### 3 Axis (Quill) - AT715 Slim Electromagnetic for all axes

Order No.	Description
<b>64PKA065A</b>	MILL pkg, 3-axis, ABS Scales, 12" x 30" x 6" w/3 axis KA-200 Counter (174-185A)
<b>64PKA066A</b>	MILL pkg, 3-axis, ABS Scales, 12" x 36" x 6", w/3 axis KA-200 Counter (174-185A)
<b>64PKA067A</b>	MILL pkg, 3-axis, ABS Scales, 16" x 36" x 6" w/3 axis KA-200 Counter (174-185A)
<b>64PKA179</b>	MILL PKG,3-AXIS, ABS SCALES 32" X 14" X 4" w/3 axis KA-200 Counter (174-185A)
<b>64PKA180</b>	MILL PKG,3-AXIS, ABS SCALES 36" X 14" X 4" w/3 axis KA-200 Counter (174-185A)
<b>64PKA181</b>	MILL PKG,3-AXIS, ABS SCALES 36" X 16" X 4" w/3 axis KA-200 Counter (174-185A)
<b>64PKA182</b>	MILL PKG,3-AXIS, ABS SCALES 30" X 14" X 6" w/3 axis KA-200 Counter (174-185A)
<b>64PKA183</b>	MILL PKG,3-AXIS, ABS SCALES 32" X 14" X 6" w/3 axis KA-200 Counter (174-185A)
<b>64PKA184</b>	MILL PKG,3-AXIS, ABS SCALES 36" X 14" X 6" w/3 axis KA-200 Counter (174-185A)
<b>64PKA185</b>	MILL PKG,3-AXIS, ABS SCALES 32" X 16" X 6" w/3 axis KA-200 Counter (174-185A)
<b>64PKA186</b>	MILL PKG,3-AXIS, ABS SCALES 40" X 18" X 6" w/3 axis KA-200 Counter (174-185A)
<b>64PKA213</b>	MILL PKG,3-AXIS, ABS SCALES 40" X 16" X 5" w/3 axis KA-200 Counter (174-185A)
<b>64PKA216</b>	MILL PKG,3-AXIS, ABS SCALES 40" X 12" X 5" w/3 axis KA-200 Counter (174-185A)
<b>64PKA217</b>	MILL PKG,3-AXIS, ABS SCALES 48" X 18" X 18" w/3 axis KA-200 Counter (174-185A)
<b>64PKA218</b>	MILL PKG,3-AXIS, ABS SCALES 60" X 24" X 28" w/3 axis KA-200 Counter (174-185A)
<b>64PKA219</b>	MILL PKG,3-AXIS, ABS SCALES 80" X 32" X 28" w/3 axis KA-200 Counter (174-185A)
<b>64PKA225</b>	MILL PKG,3-AXIS, ABS SCALES 48" X 18" X 22" w/3 axis KA-200 Counter (174-185A)

### 3 Axis (Knee) - AT715 Slim Electromagnetic for all axes

Order No.	Description
<b>64PKA187</b>	MILL PKG,3-AXIS, ABS SCALES 32" X 13"/14" X 16" w/3 axis KA-200 Counter (174-185A)
<b>64PKA188</b>	MILL PKG,3-AXIS, ABS SCALES 36" X 13"/14" X 16" w/3 axis KA-200 Counter (174-185A)
<b>64PKA189</b>	MILL PKG,3-AXIS, ABS SCALES 30" X 14" X 16" w/3 axis KA-200 Counter (174-185A)
<b>64PKA190</b>	MILL PKG,3-AXIS, ABS SCALES 36" X 16" X 16" w/3 axis KA-200 Counter (174-185A)
<b>64PKA191</b>	MILL PKG,3-AXIS, ABS SCALES 36" X 16" X 18" w/3 axis KA-200 Counter (174-185A)
<b>64PKA192</b>	MILL PKG,3-AXIS, ABS SCALES 40" X 18" X 16" w/3 axis KA-200 Counter (174-185A)
<b>64PKA193</b>	MILL PKG,3-AXIS, ABS SCALES 40" X 18" X 18" w/3 axis KA-200 Counter (174-185A)
<b>64PKA209</b>	MILL PKG,3-AXIS, ABS SCALES 32" X 16" X 16" w/3 axis KA-200 Counter (174-185A)
<b>64PKA214</b>	MILL PKG,3-AXIS, ABS SCALES 30" X 12" X 16" w/3 axis KA-200 Counter (174-185A)
<b>64PKA215</b>	MILL PKG,3-AXIS, ABS SCALES 40" X 12" X 16" w/3 axis KA-200 Counter (174-185A)

# Lathe Packages

Electro-Magnetic ABSOLUTE DRO/Glass Linear Scale Packages for Lathe System

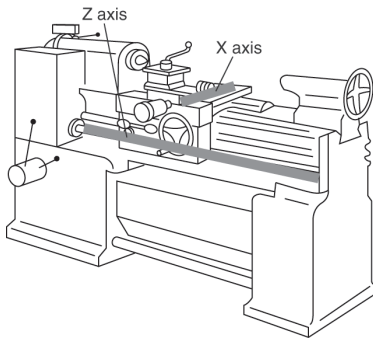
Using KA-200 Counter, AT116 and AT715 Linear Scales



## 2 Axis, KA-200 Counter Lathe System

### Package Includes:

- KA-200 Counter
- AT116 and AT715 Linear Scale combinations
- Bracket Kit (refer to page 15)
- Counter Stand
- Counter Tray
- Extension Cable (X axis) in kits 60" and longer



## Lathe Machine System Packages

New Part Numbers

Z axis travel	X Axis Travel (AT116 Slim Glass Scale)					
	6" (539-272-30)	8" (539-273-30)	10" (539-274-30)	12" (539-275-30)	14" (539-276-30)	16" (539-277-30)
28" (539-813)	<b>64PKA035A</b>	–	–	–	–	–
30" (539-814)	<b>64PKA036A</b>	–	–	–	–	–
36" (539-816)	<b>64PKA037A</b>	<b>64PKA194</b>	–	–	–	–
40" (539-817)	<b>64PKA038A</b>	<b>64PKA039A</b>	<b>64PKA042A</b>	<b>64PKA046A</b>	<b>64PKA052A</b>	–
44" (539-818)	–	<b>64PKA040A</b>	<b>64PKA043A</b>	<b>64PKA047A</b>	<b>64PKA053A</b>	–
48" (539-819)	–	<b>64PKA041A</b>	<b>64PKA044A</b>	<b>64PKA048A</b>	<b>64PKA054A</b>	–
52" (539-820)	–	<b>64PKA195</b>	<b>64PKA198</b>	<b>64PKA049A</b>	<b>64PKA055A</b>	–
60" (539-822)	–	<b>64PKA196</b>	<b>64PKA045A</b>	<b>64PKA050A</b>	<b>64PKA056A</b>	<b>64PKA057A</b>
68" (65")	–	<b>64PKA220</b>	–	<b>64PKA200</b>	–	–
72" (539-825)	–	–	–	<b>64PKA051A</b>	–	–
80"	–	<b>64PKA197</b>	<b>64PKA199</b>	<b>64PKA210</b>	<b>64PKA203</b>	–
88" (84")	–	–	<b>64PKA223*</b>	<b>64PKA201</b>	–	–
96" (90")	–	–	–	–	<b>64PKA222</b>	–
120"	–	–	<b>64PKA211*</b>	<b>64PKA202*</b>	<b>64PKA224/64PKA204*</b>	<b>64PKA205*</b>

\* indicates Z axis is AT103 series (Glass Linear Scale) instead of AT715. AT103 has a larger cross-section vs AT715.

# Grinding Packages

High-accuracy Glass Linear Scale Packages for Grinding Machines

Using KA-200 Counter and AT116 Linear Scales



## 2-axis, KA-200 Counter Grinding System

**Package Includes:**

- KA-200 Counter
- AT116 Glass Linear Scales
- Bracket Kit (refer to page 19)
- Display Arm Kit



## Grinding Machine System Packages

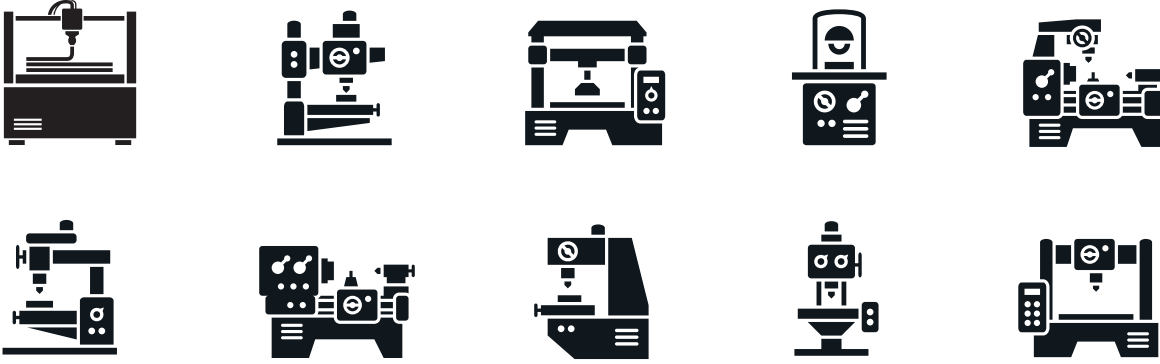
  New Part Numbers

Vertical	Cross Side (AT116 Slim Glass Scale)				
	6" (539-272-30)	8" (539-273-30)	10" (539-274-30)	12" (539-275-30)	14" (539-276-30)
12" (539-275-30)	<b>64PKA026A</b>	<b>64PKA028A</b>	-	-	
14" (539-276-30)	<b>64PKA027A</b>	<b>64PKA029A</b>	-	-	
16" (539-277-30)	-	<b>64PKA030A</b>	-	-	
18" (539-278-30)	<b>64PKA206</b>	<b>64PKA212</b>	<b>64PKA031A</b>	<b>64PKA033A</b>	
20" (539-279-30)	-	-	-	<b>64PKA034A</b>	
24" (539-281-30)	-	-	<b>64PKA032A</b>	<b>64PKA207</b>	<b>64PKA208</b>

Also available with AT715 Electromagnetic Linear Scales with IP-67 rating (highest contamination resistance).

Contact your Mitutoyo representative for ordering information.

# Applications



Coordinate Measuring Machines

Vision Measuring Systems

Form Measurement

Optical Measuring

Sensor Systems

Test Equipment and Seismometers

Digital Scale and DRO Systems

Small Tool Instruments and Data Management

Whatever your challenges are, Mitutoyo supports you from start to finish.

Mitutoyo is not only a manufacturer of top-quality measuring products but one that also offers qualified support for the lifetime of the equipment, backed by comprehensive services that ensure your staff can make the very best use of the investment.

Apart from the basics of calibration and repair, Mitutoyo offers product and metrology training, as well as IT support for the sophisticated software used in modern measuring technology. We can also design, build, test and deliver measuring solutions and even, if deemed cost-effective, take your critical measurement challenges in-house on a sub-contract basis.



Find additional product literature and our product catalog

[www.mitutoyo.com](http://www.mitutoyo.com)

**Note:** All information regarding our products, and in particular the illustrations, drawings, dimensional and performance data contained in this printed matter as well as other technical data are to be regarded as approximate average values. We therefore reserve the right to make changes to the corresponding designs. The stated standards, similar technical regulations, descriptions and illustrations of the products were valid at the time of printing. In addition, the latest applicable version of our General Trading Conditions will apply. Only quotations submitted by ourselves may be regarded as definitive. Specifications are subject to change without notice.

Mitutoyo products are subject to US Export Administration Regulations (EAR). Re-export or relocation of our products may require prior approval by an appropriate governing authority.

**Trademarks and Registrations**

Designations used by companies to distinguish their products are often claimed as trademarks. In all instances where Mitutoyo America Corporation is aware of a claim, the product names appear in initial capital or all capital letters. The appropriate companies should be contacted for more complete trademark and registration information.



**Mitutoyo America Corporation**

[www.mitutoyo.com](http://www.mitutoyo.com)

One Number to Serve You Better

1-888-MITUTOYO (1-888-648-8869)

**M<sup>3</sup> Solution Centers:**

Aurora, Illinois (Headquarters)

Boston, Massachusetts

Huntersville, North Carolina

Mason, Ohio

Plymouth, Michigan

City of Industry, California

Birmingham, Alabama

Renton, Washington

Houston, Texas