



Dial Indicators

SERIES 2 — Standard Type, Inch Reading



2416S



2803S-10

Optional Accessories

- : Backs (See page F-33.)
- : Contact points (See page F-34.)

SPECIFICATIONS

| Inch | | Stem 3/8" dia. #4-48 UNF Thread | | | | ANSI/AGD type | | | | | |
|------------|-------|---------------------------------|--------------|------------------|-------------------|---------------|---------|-----------------|------------|-----------------|-----------------|
| Graduation | Range | Range /Rev | Dial Reading | Order No. | | Accuracy | | Measuring force | Shockproof | Reverse Reading | Jeweled Bearing |
| | | | | w/lug | Flat-back | First 2.5 Rev | Overall | | | | |
| .0001" | .025" | .01" | 0-10 | 2802S-10 | 2802SB-10 | ±.0001" | ±.0001" | 2.5N or less | ✓ | | ✓ |
| .0001" | .025" | .01" | 0-5-0 | 2803S-10 | 2803SB-10 | ±.0001" | ±.0001" | 2.5N or less | ✓ | | ✓ |
| .0001" | .05" | .01" | 0-10 | 2804S-10 | 2804SB-10 | ±.0001" | ±.0002" | 2.0N or less | ✓ | | ✓ |
| .0001" | .05" | .01" | 0-5-0 | 2805S-10 | 2805SB-10 | ±.0001" | ±.0002" | 2.0N or less | ✓ | | ✓ |
| .0001" | .05" | .01" | 10-0 | 2905S-10 | 2905SB-10 | ±.0001" | ±.0002" | 2.0N or less | ✓ | ✓ | ✓ |
| .0001" | .05" | .01" | 0-5-0 | 2923S-10 | 2923SB-10 | ±.0001" | ±.0002" | 2.0N or less | ✓ | ✓ | ✓ |
| .0001" | .25" | .01" | 0-10 | 2356S-10 | 2356SB-10 | ±.0001" | ±.0005" | 2.0N or less | | | ✓ |
| .0001" | .5" | .01" | 0-10 | 2358S-10 | 2358SB-10 | ±.0001" | ±.0008" | 2.0N or less | | | ✓ |
| .0005" | .125" | .05" | 0-50 | 2506S | 2506SB | ±.0005" | ±.0005" | 1.8N or less | | | |
| .0005" | .125" | .05" | 0-25-0 | 2507S | 2507SB | ±.0005" | ±.0005" | 1.8N or less | | | |
| .0005" | .125" | .05" | 0-25-0 | 2922S | 2922SB | ±.0005" | ±.0005" | 1.8N or less | | ✓ | |
| .0005" | .5" | .05" | 0-50 | 2514S | 2514SB | ±.0005" | ±.0015" | 1.8N or less | | | |
| .0005" | 1" | .05" | 0-50 | 2776S | 2776SB | ±.0005" | ±.002" | 2.5N or less | | | |
| .001" | .5" | .1" | 0-100 | 2414S | 2414SB | ±.001" | ±.001" | 1.8N or less | | | |
| .001" | .5" | .1" | 100-0 | 2914S | 2914SB | ±.001" | ±.001" | 0.4-1.8N | | ✓ | |
| .001" | .5" | .1" | 0-50-0 | 2415S | 2415SB | ±.001" | ±.001" | 1.8N or less | | | |
| .001" | 1" | .1" | 0-100 | 2416S | 2416SB | ±.001" | ±.002" | 1.8N or less | | | |
| .001" | 1" | .1" | 0-100 | 2416S-06* | 2416SB-06* | ±.001" | ±.002" | 1.8N or less | | | |
| .001" | 1" | .1" | 0-100 | 2416S-10 | 2416SB-10 | ±.001" | ±.002" | 1.8N or less | | | ✓ |
| .001" | 1" | .1" | 0-50-0 | 2417S | 2417SB | ±.001" | ±.002" | 1.8N or less | | | |
| .001" | 1" | .1" | 100-0 | 2904S | 2904SB | ±.001" | ±.002" | 1.8N or less | | ✓ | |
| .001" | 2" | 1" | 0-100 | 2424S-19 | 2424SB-19 | ±.001" | ±.003" | 2.5N or less | ✓ | | ✓ |

* Black Face



Shockproof type



Reverse reading type



Jeweled bearing type

Dial Indicators

SERIES 2 — Standard Type, Inch Reading



2506S

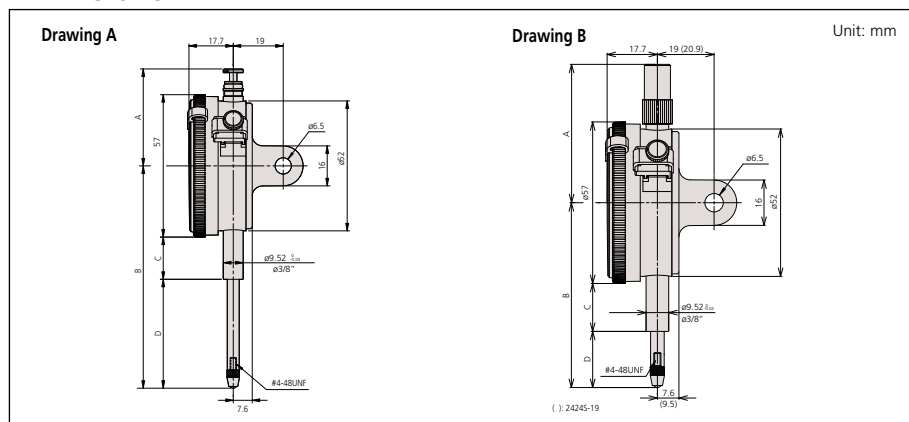


2923S-10



2424S-19

DIMENSIONS



2 Group Inch

| Order No. | A | B | C | D | Drawing |
|-------------|-------|-------|------|------|---------|
| 2356S(B)-10 | 48.8 | 57.2 | 13.6 | 15.1 | B |
| 2358S(B)-10 | 38.9 | 63.6 | 13.6 | 21.5 | A |
| 2414S(B) | 38.9 | 64.1 | 13.6 | 22 | A |
| 2415S(B) | 38.9 | 64.1 | 13.6 | 22 | A |
| 2416S(B) | 38.9 | 76.8 | 13.6 | 34.7 | A |
| 2416S(B)-06 | 38.9 | 76.8 | 13.6 | 34.7 | A |
| 2416S(B)-10 | 38.9 | 76.8 | 13.6 | 34.7 | A |
| 2417S(B) | 38.9 | 76.8 | 13.6 | 34.7 | A |
| 2424S(B)-19 | 118.5 | 142.5 | 54.3 | 59.7 | B |
| 2506S(B) | 48.8 | 54.3 | 13.6 | 12.2 | B |
| 2507S(B) | 48.8 | 54.3 | 13.6 | 12.2 | B |
| 2514S(B) | 38.9 | 64.1 | 13.6 | 22 | A |

| Order No. | A | B | C | D | Drawing |
|-------------|------|------|------|------|---------|
| 2776S(B) | 38.9 | 76.8 | 13.6 | 34.7 | A |
| 2802S(B)-10 | 48.8 | 51.4 | 13.6 | 9.3 | B |
| 2803S(B)-10 | 48.8 | 51.4 | 13.6 | 9.3 | B |
| 2804S(B)-10 | 48.8 | 51.7 | 13.6 | 9.6 | B |
| 2805S(B)-10 | 48.8 | 51.7 | 13.6 | 9.6 | B |
| 2904S(B) | 38.9 | 76.8 | 13.6 | 34.7 | A |
| 2905S(B)-10 | 48.8 | 51.7 | 13.6 | 9.6 | B |
| 2914S(B) | 38.9 | 64.1 | 13.6 | 22 | A |
| 2915S(B)-10 | 52.2 | 63.3 | 13.6 | 21.2 | A |
| 2918S(B)-10 | 52.2 | 63.3 | 13.6 | 21.2 | A |
| 2922S(B) | 48.8 | 54.3 | 13.6 | 12.2 | B |
| 2923S(B)-10 | 48.8 | 51.7 | 13.6 | 9.6 | B |