

MSM-400

SERIES 377 — Stereo Microscopes

Optional Accessories

Video System

| Order No. | Description |
|-----------|----------------------------|
| 377-488 | Video System* for 377-990A |
| 377-489 | Video System* for 377-991A |

* Converts Binocular to Trinocular

Accessories

| Order No. | Description |
|-----------|-------------------------|
| 64AAB214 | LED variable ring light |

FEATURES

- Superior quality optics provide high-resolution
- Crystal sharp, high-color contrast image with excellent depth of field
- Always in sharp focus at all magnifications
- The Parfocal Optical System allows relaxed strain-free viewing
- Long working distance
- Extreme large field of view (23mm diameter)

The MSM-465L, Order No. 377-990A, is a high-accuracy four-step magnification stereo microscope. With a horizontal

changer allowing 6X, 12X, 25X, and 50X magnifications with a standard 1X objective and 10X eyepieces, the MSM-465L has limitless capabilities for electrical small part inspection.

The MSM-464L, Order No. 377-991A, with its vertical five-step magnification changer is ideal for small part assembly. This stereo microscope with standard 6.4X, 10X, 16X, 25X, and 40X magnifications, has flexibility from 3.2X to 160X magnifications.



MSM-465L
377-990A



MSM-464L
377-991A

Digital Imaging with Software

| Order No. | Description |
|-----------|---|
| 64AAB429 | MOTICAM 2, 2.0 MEGAPIXEL-1/3" CMOS, USB |
| 64AAB529 | MOTICAM 3+, 3.0 MEGAPIXEL-1/2" CMOS, USB |
| 64AAB431 | MOTICAM 5, 5.0 MEGAPIXEL-1/2.5" CMOS, USB |
| 64AAB526 | MOTICAM 1080, 2.0 MEGAPIXEL-1/2.8" CMOS, USB/HDMI |

SPECIFICATIONS

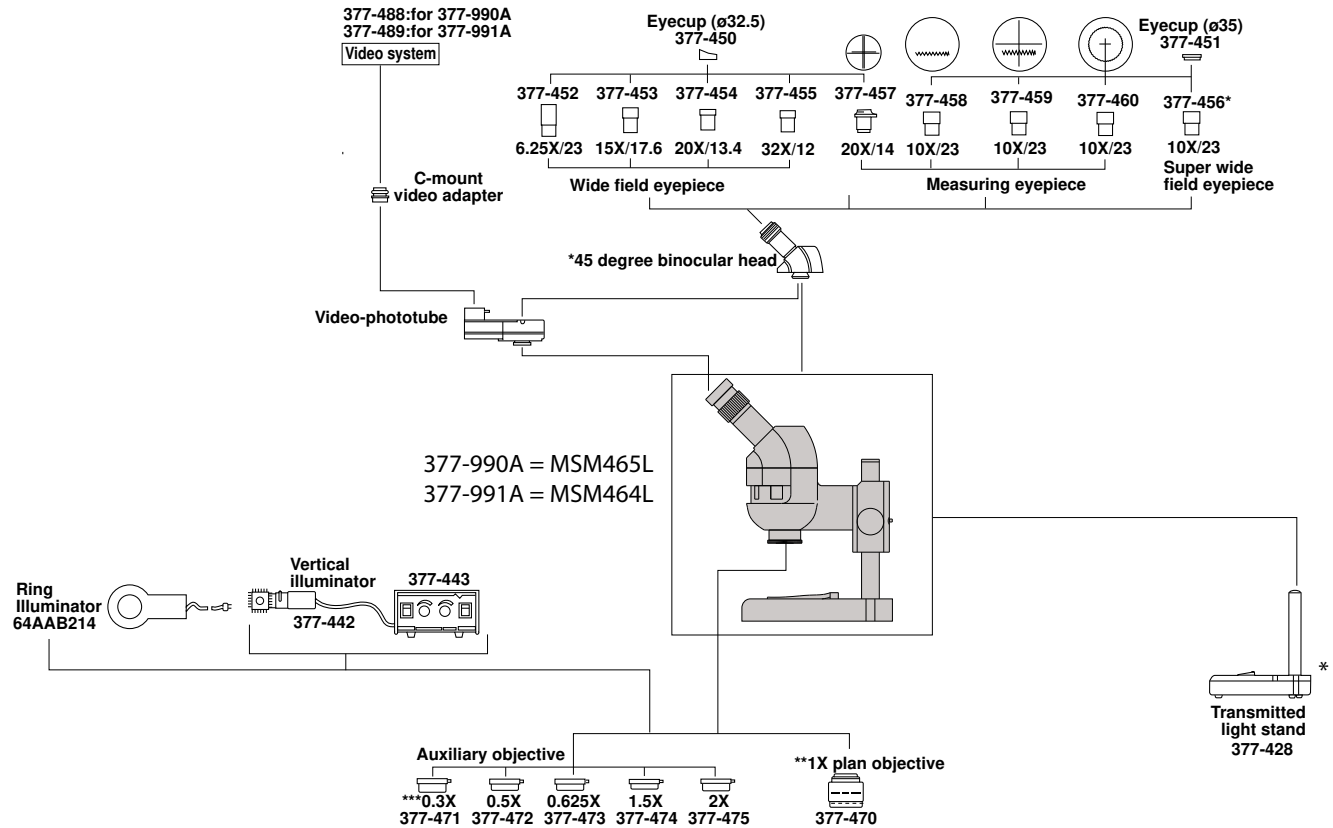
| Model. Order No. | MSM-465L 377-990A | MSM-464TL 377-991A |
|---------------------|-----------------------------------|-----------------------------------|
| Optical tube | Binocular* | Binocular* |
| Total magnification | 6X - 50X | 6.4X - 40X |
| Eyepiece | 10X (377-456) | 10X (377-456) |
| Objective | .6X, 1.2X, 2.5X, 5X | .6X, 1X, 1.6X, 2.5X, 4X |
| Working distance | 89mm | 89mm |
| Field of view | 23mm (w/377-456) | 23mm (w/377-456) |
| Dimensions | H=14.6" x W=13" x D=11" | H=14.3" x W=13" x D=11" |
| Mass | 15.5 lbs (7kg) | 15.5 lbs (7kg) |
| Stand | Transmitted Light Stand (377-428) | Transmitted Light Stand (377-428) |

* For Video System, see upper left table (optional accessories)

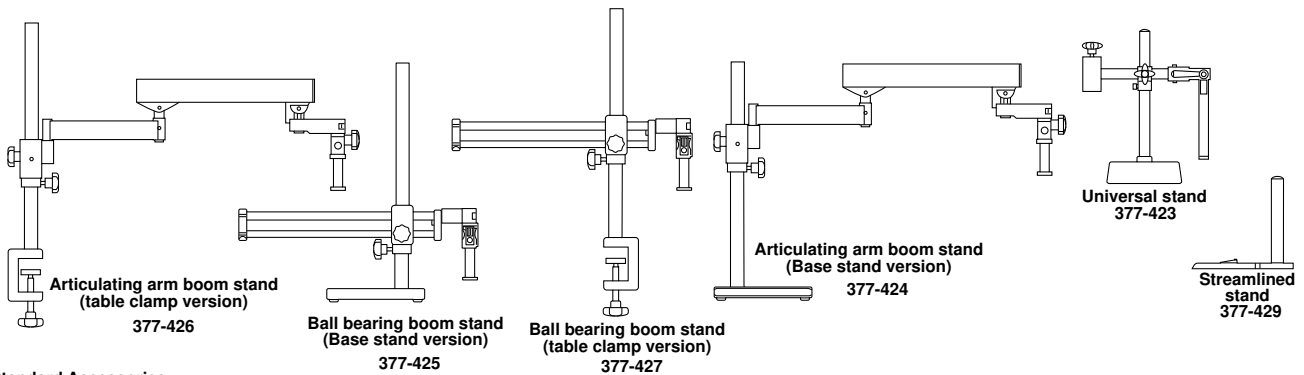
Stereo Microscopes

SERIES 377

377-990A/377-991A SYSTEM DIAGRAM



Optional Stand



- * Standard Accessories
- ** 1X plan objective can replace 1X standard built-in objective
- *** 350mm long stand post is required. (377-431)