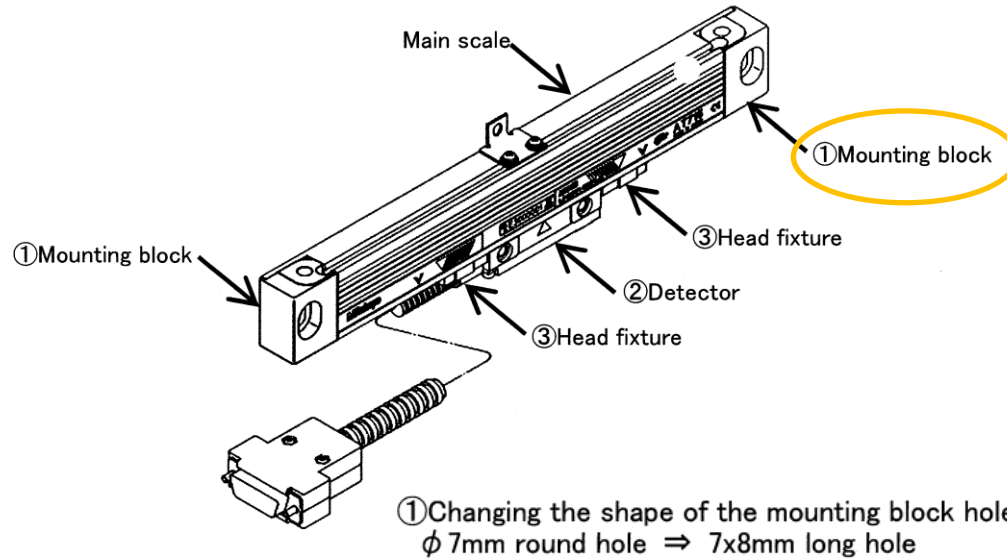
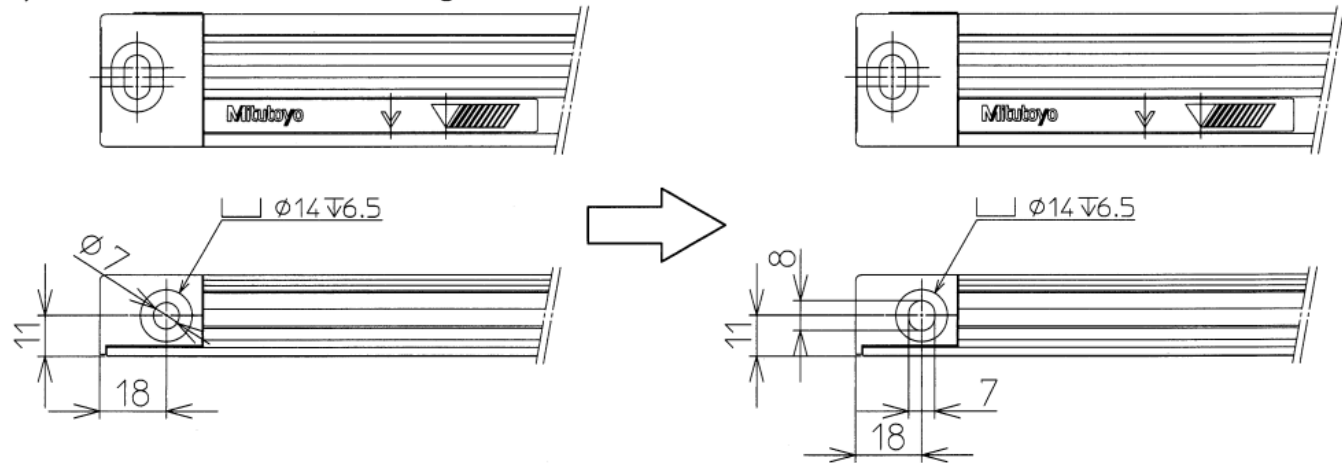


## AT715 Series Absolute Electromagnetic Linear Encoders

### Overview of Changes

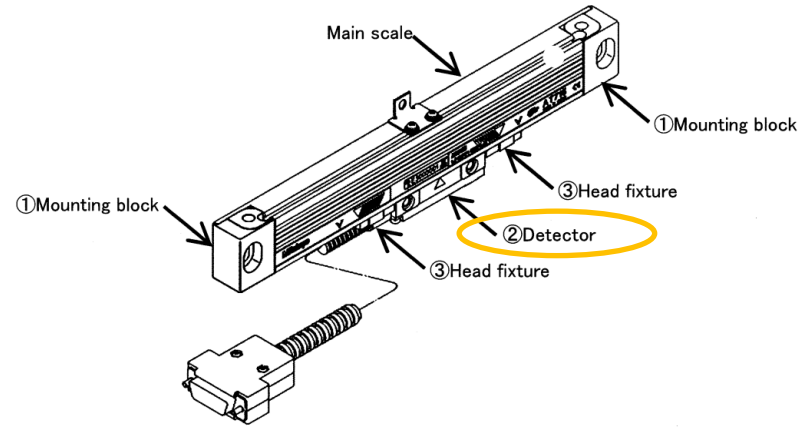


1 - Mounting block hole shape change:  $\phi 7$ mm diameter to 7x8mm slot

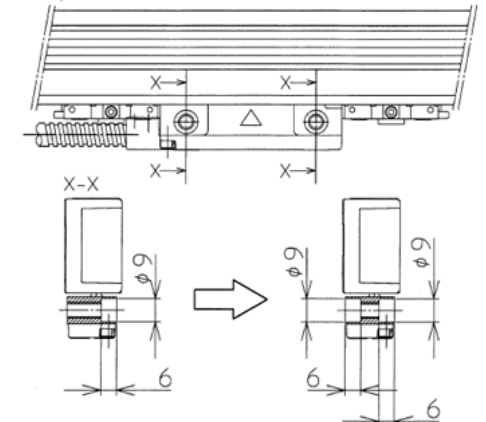


## AT715 Series Absolute Electromagnetic Linear Encoders

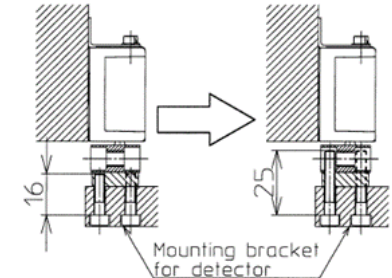
### Overview of Changes



② Detector  
 $\phi 9$  single-sided counterbore  $\Rightarrow$   $\phi 9$  double-sided counterbore



Added clearance for M4 mounting screws. Longest : M4x16mm  $\Rightarrow$  M4x25mm

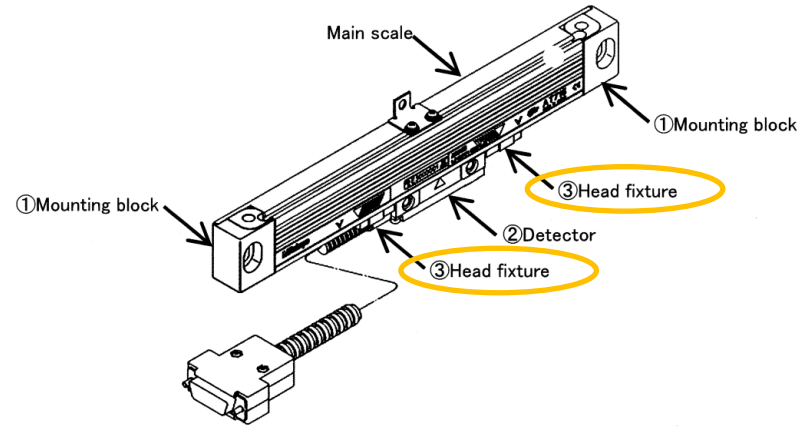


### 2 - Detector Changes

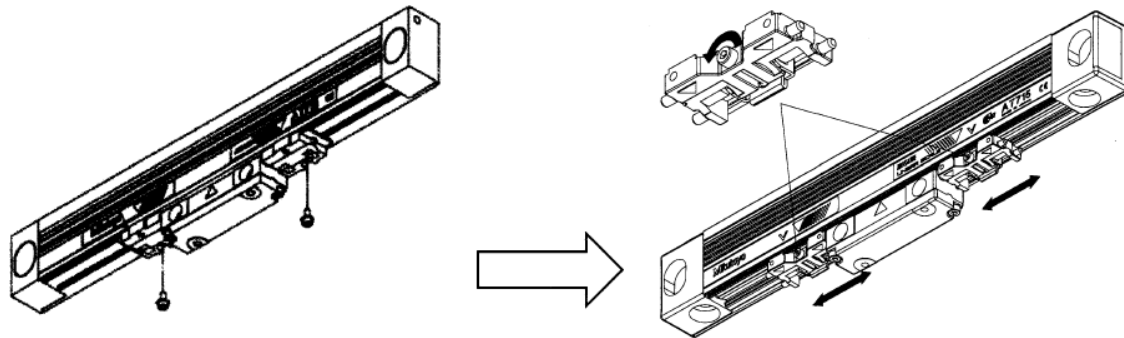
1. counterbore change:  $\phi 9$ mm diameter single sided counterbore to double sided counter bore.
2. Increased clearance for M4 mounting screws

## AT715 Series Absolute Electromagnetic Linear Encoders

### Overview of Changes



**3 – Head Fixture change: Abolishes screwing to the scale body, allowing fixing and mounting at locations other than the center of the overall length.**



## AT715 Series Absolute Electromagnetic Linear Encoders

### *Additional Changes:*

1. Finish change: from gloss to matte
2. Packing material reduction

**Note: Mounting should be compatible with previous model**