

# Height Gage

## Vernier Height Gage SERIES 514, 506 — Standard Height Gage with Adjustable Main Scale

- Fits comfortably in the hand and moves easily on the surface plate.
- Carbide-tipped scribe is provided as a standard accessory.
- The main scale slides and clamps within the column for quick and convenient zero-setting.



### Standard Accessories

Order No.	Description	Models
07GZA000	Carbide-tipped scribe	514-102, 514-104, 514-106, 514-103, 514-105, 514-107
905200	Carbide-tipped scribe	514-108, 514-109
05GZA033	Scribe clamp	514-102, 514-104, 514-106, 514-108, 514-103, 514-105, 514-107, 514-109

## SPECIFICATIONS

### Metric

Order No.	Range (mm)	Minimum reading (mm)	Scale adjustment (mm)	Fine feed (mm)	Maximum permissible error $E_{MPE}$ (mm)*	Height (mm)	Mass (kg)
506-207	0 - 200	0.02	—	4	±0.03	341	1.4
514-102	0 - 300		15		7	±0.04	525
514-104	0 - 450			6	±0.05	675	3.4
514-106	0 - 600				25	±0.07	870
514-108	0 - 1000		1340	20			

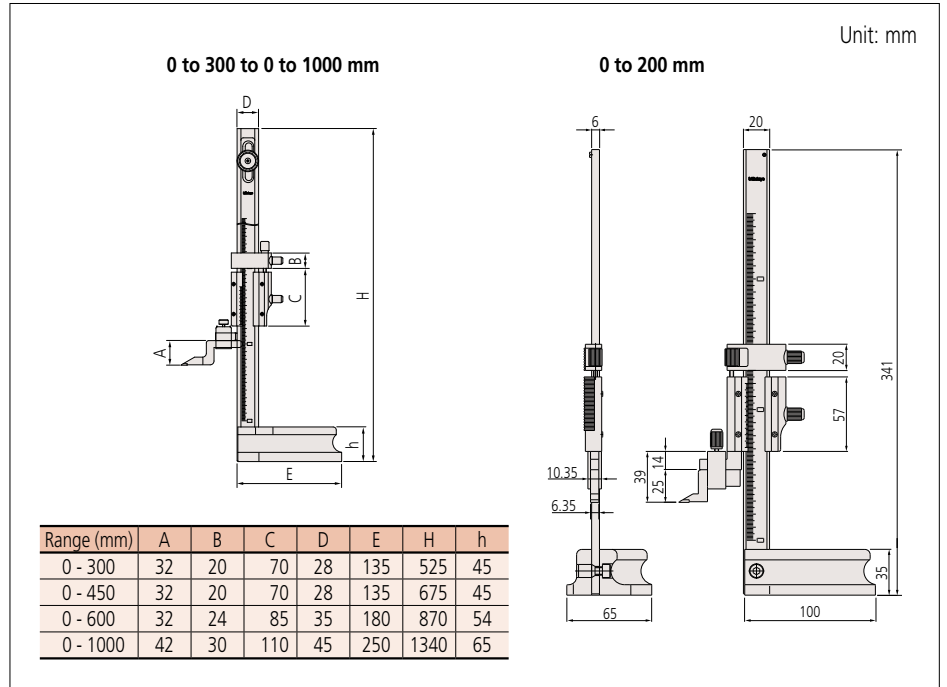
### Inch / Metric

Order No.	Range (in)	Minimum reading	Scale adjustment (in)	Fine feed (in)	Maximum permissible error $E_{MPE}$ (in)*	Height (mm)	Mass (kg)
506-208	0 - 8	0.001 in/0.02 mm	—	0.16	±0.001	341	1.4
514-103	0 - 12		0.6		0.27	±0.002	525
514-105	0 - 18			1	±0.003	675	3.4
514-107	0 - 24				0.24	±0.003	870
514-109	0 - 40		1340	20			

• Reading magnifier (optional): 514-102/104/106: 07GZA003, 514-108: 07GZA015

\* Maximum permissible error,  $E_{MPE}$  is the term (notation) used in JIS B 7517: 2018, revised based on ISO/TR 14253-6: 2012.

## DIMENSIONS



D