

# Height Gage

## ABSOLUTE Digimatic Height Gage SERIES 570 — with Ergonomic Base

- Single column, Digimatic Height Gage entry model with large display and bottom for good operability.
- The handle for moving the slider enables smooth vertical movement.
- The highly rigid pillars and large clamp levers provide smooth and reliable workability.



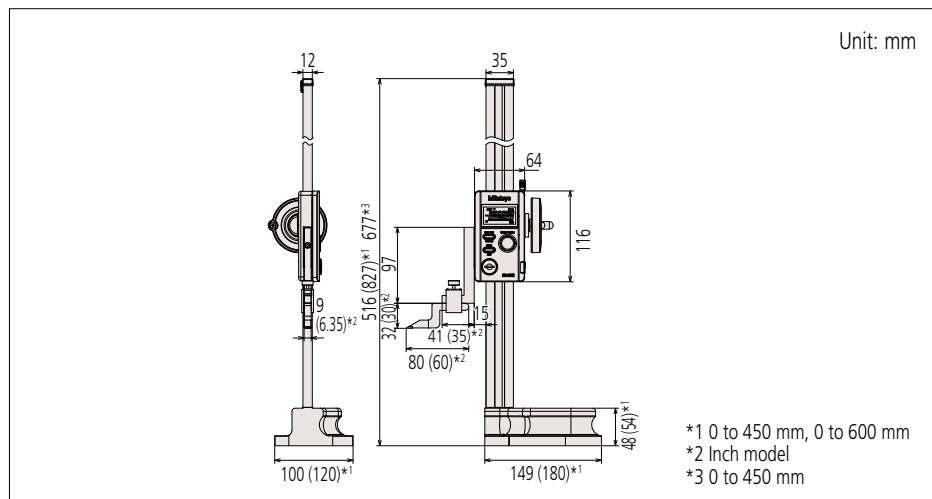
### SPECIFICATIONS

Metric					
Order No.	Range (mm)	Resolution (mm)	Maximum permissible error $E_{MPE}$ (mm)*	Max. response speed	Mass (kg)
570-402	0 - 300	0.01	±0.03	Unlimited	4.6
570-404	0 - 600		±0.05		6.4
Inch / Metric					
Order No.	Range	Resolution	Maximum permissible error $E_{MPE}$ *	Max. response speed	Mass (kg)
570-412	0 to 12 in / 0 to 300 mm	0.0005 in / 0.01 mm	±0.0015 in / ±0.03 mm	Unlimited	4.6
570-413	0 to 18 in / 0 to 450 mm		±0.0020 in / ±0.05 mm		5.9
570-414	0 to 24 in / 0 to 600 mm		6.4		

Standard Accessories: Scriber clamp **05GZA033**, Scriber **07GZA000**

\* Maximum permissible error,  $E_{MPE}$  is the term (notation) used in JIS B 7517: 2018, revised based on ISO/TR 14253-6: 2012.

### DIMENSIONS



### Measurement example



### Functions

- Origin-setting: Any convenient reference surface, such as a surface plate, etc., can be stored as the absolute origin point.
- Absolute measurement: After power is turned ON, measurement can be started without zero-setting if origin-setting was previously performed. Absolute origin position can be changed by ORIGIN button.
- Incremental measurement: Allows origin setting at any arbitrary position. In this case, the origin point is not stored after turning off the power.
- Data hold: Display value can be held.
- Data output: Allows integration into statistical process control and measurement systems. (Refer to page A-3.)
- Low-voltage alert: Low-voltage alert: If the battery voltage becomes low, a "B" appears in the display to alert the user before measurement is no longer possible so that the battery can be changed in good time.

### Optional Accessories

Order No.	Type	Description
905338	F	Connecting cables for IT/DP/MUX (1 m)
905409	F	Connecting cables for IT/DP/MUX (2 m)
06AFM380F	F	USB Input Tool Direct (2 m)
02AZD790F	F	Connecting cables for U-WAVE-T (160 mm)
902053	—	Clamp (with dovetail groove)*
953638	—	Holding bar*

\* For mounting test indicators, etc. (Refer to page F-67 for details.)